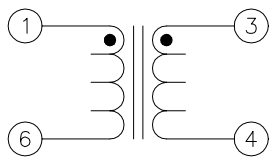
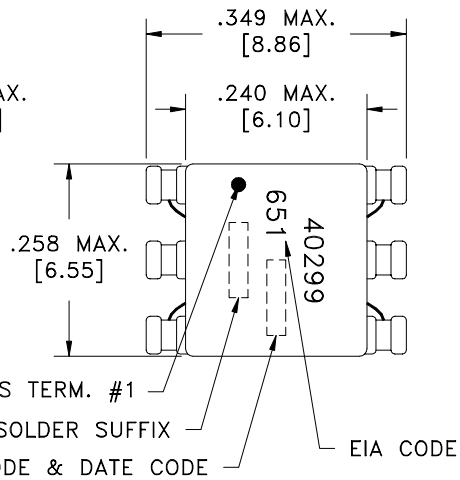
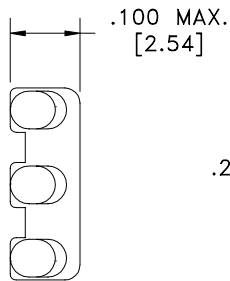
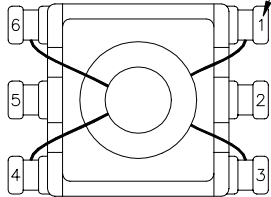
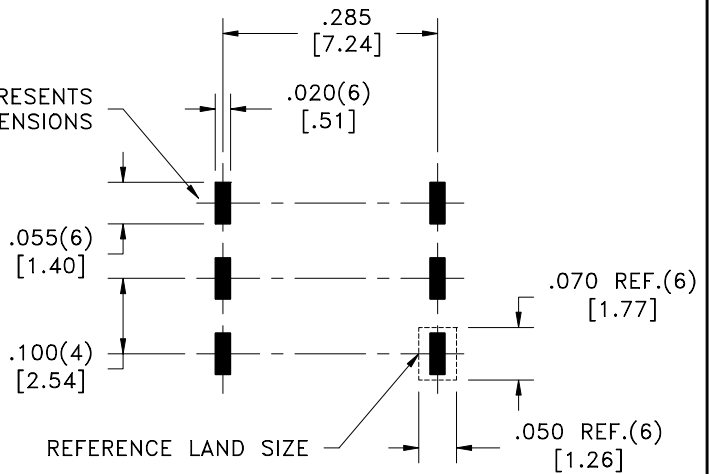


SOLDER SUFFIX	CUSTOMER TERMINAL	RoHS	LEAD(Pb)-FREE	6E
	Sn63%, Pb37%	No	No	
LF2	Sn98%, Cu2%	Yes	Yes	

TERM. NO.'s FOR REF. ONLY



AREA REPRESENTS
TERMINAL PAD DIMENSIONS



ELECTRICAL SPECIFICATIONS @ 25°C unless otherwise noted:

- D.C. RESISTANCE (@20°C): 1-6, 0.5 ohms max.
3-4, 0.5 ohms max.
- DIELECTRIC RATING: 1500VAC, 1 minute tested by applying 1875VAC for 1 second between 1-3.
- INDUCTANCE: 47uH min., 100kHz, 10mVAC, 1-6, Ls.
- TURNS RATIO: (1-6):(3-4) = 1:1, ±1%.

6H OPERATING TEMPERATURE RANGE: -40°C to +85°C.

Midcom p/n: 40299R-LF2 is eiSos p/n: 750040299.

DETAILS SUBJECT TO CHANGE

Unless otherwise specified:
Tolerances:
Angles: ±1°
Fractions: ±1/64
Decimals: ±.005[.13]

DRAWING TITLE

INDUCTOR

eiSos p/n: 750040299

Midcom
www.midcom-inc.com

DRAWING NO.

40299R/-LF2

6E REV. 6H
11/07

REVISIONS: SEE SHEET 1

SCALE ---

SHEET 2 OF 5

DWG # 40299R/-LF2

This drawing is dual dimensioned.
Dimensions in brackets are in millimeters.