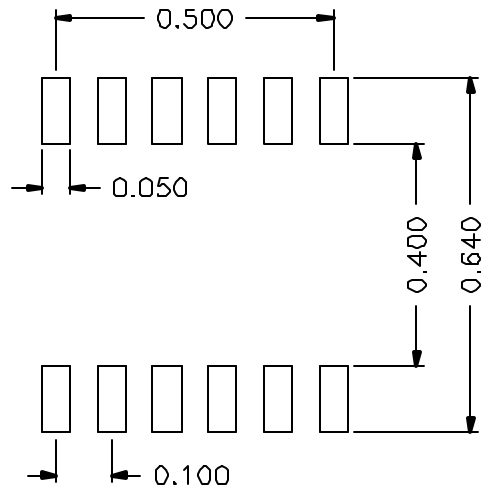
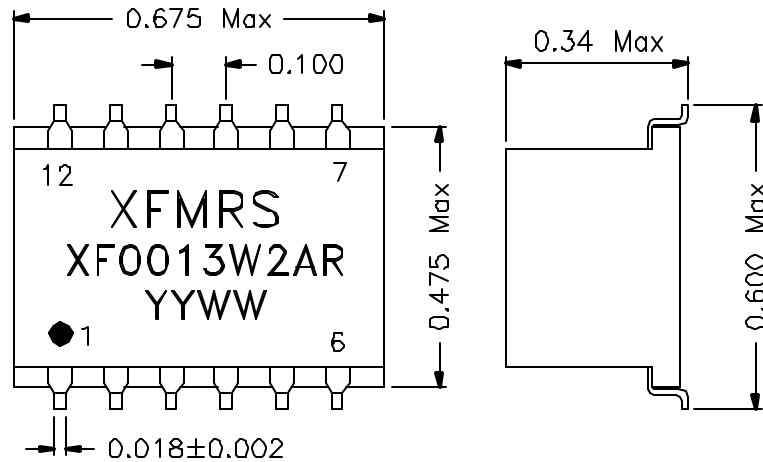
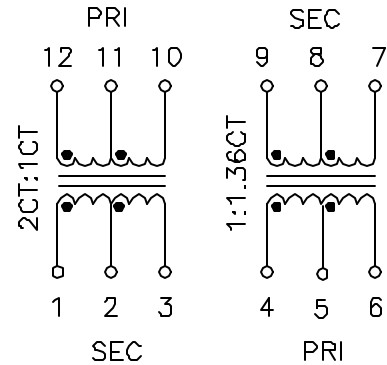


### 1. Dimensions:



SUGGESTED PAD LAYOUT

### 2. Schematic:



### 3. Electrical Specifications: @25°C

- Isolation Voltage 3750 Vrms (PRI/SEC)
- Turns Ratio: (12-11-10):(1-2-3) = 1CT:2CT ±2%
- Turns Ratio: (4-6):(9-8-7) = 1:1.36CT ±2%
- PRI OCL: 1.20mH MIN. @100KHz 50mV
- Cw/w: 25pF Max. @100KHz 50mV
- Leakage Inductance: 0.80uH MAX. @100KHz 50mV
- PRI DC Resistance: 0.9 Ohms Max
- SEC DC Resistance: 1.90 Ohms MAX.
- Crosstalk: -60dB Typ 0.1 to 10MHz
- Operating Temp: -40 to +85°C

Note: Designed to meet the UL 1950 requirements for Reinforced Insulation with 250 working volts.

<b>XFMRS Inc</b>	Title: TRANSFORMER		
	UNLESS OTHERWISE SPECIFIED		P/N: XF0013W2AR
	TOLERANCES:		REV. A
	.xxx ±0.010		DWN.    BW
Dimensions in Inch		CHK.    Joe Huff	Jan-6-00
SCALE 2.5:1 SHT 1 OF 1		APP.    AEI	Jan-6-00

DOC. REV A/1