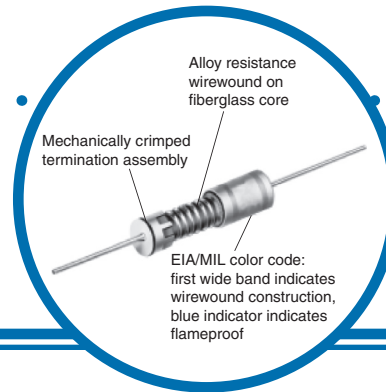


Low-Cost General Purpose Conformal Coated Wirewound Resistor



SPP Series

- Coated or uncoated units
- Positive high TC's upon request
- Color band standard identification
- Lower ranges available - contact factory
- Weldable and solderable magnetic leads



Electrical Data

IRC Type	SPP-1		SPP-2		SPP-3	
Resistance - Std.	0.1Ω to 1200Ω		0.1Ω to 2400Ω		0.1Ω to 2400Ω	
Tolerance - Std.	±5%, ±10%		±5%, ±10%		±5%, ±10%	
Power Rating	1 watt @ 85°C 3/4 watt @ 105°C 1/2 watt @ 125°C Derating to 0 @ 160°C		2 watt @ 85°C 1 watt @ 140°C --- ---		3 watt @ 85°C 2 watt @ 145°C 1 watt @ 190°C ---	
Load Life Stability	1 watt @ 85°C ± 10%		2 watt @ 85°C ± 10%		3 watt @ 85°C ± 10%	
Max. Continuous Working Voltage	\sqrt{PR}		\sqrt{PR}		\sqrt{PR}	
Min. Insulation Resistance	Dry	10,000 Meg	10,000 Meg	10,000 Meg	10,000 Meg	10,000 Meg
	Wet	100 Meg	100 Meg	100 Meg	100 Meg	100 Meg
Min. Dielectric Withstanding Volts (RMS)	600V		600V		600V	
Current Noise	Negligible		Negligible		Negligible	
Temperature Rise at Rated Load, 25°C Ambient	Approx. 150°C		Approx. 200°C		Approx. 225°C	
Temperature Coefficient	±600/°C	±300/°C	±600/°C	±300/°C	±600/°C	±300/°C
	0.10Ω - 0.91Ω	1Ω - 1200Ω	0.10Ω - 0.91Ω	1Ω - 2400Ω	0.10Ω - 0.91Ω	1Ω - 2400Ω

Notes:

Unless specified otherwise, standard test centers are 1/4 inches.

General Note

IRC reserves the right to make changes in product specification without notice or liability. All information is subject to IRC's own data and is considered accurate at time of going to print.

Wire and Film Technologies Division • 4222 South Staples Street • Corpus Christi Texas 78411 USA
Telephone: 361 992 7900 • Facsimile: 361 992 3377 • Website: www.ircct.com



A subsidiary of
TT electronics plc

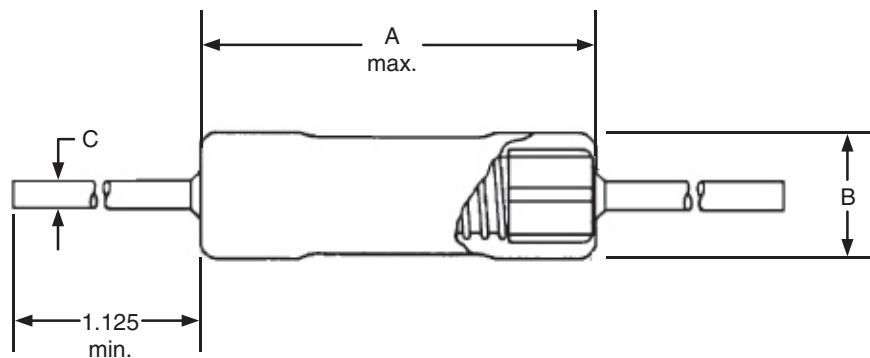
Low-Cost General Purpose Conformal Coated Wirewound Resistor



Environmental Data

Characteristics	Maximum Limits		
Temperature Coefficient (ppm/°C)	SPP-1	±600/°C ±300/°C	0.10Ω - 0.91Ω 1.0Ω - 1200Ω
	SPP-2	±600/°C ±300/°C	0.10Ω - 0.91Ω 1.0Ω - 2400Ω
	SPP-3	±600/°C ±600/°C	0.10Ω - 0.91Ω 1.0Ω - 2400Ω
Thermal Shock	±5%		
Low Shock	±5%		
Short Time Overload	±5%		
Commercial Short Time Overload	±5%		
Resistance to Solder Immersion	±3%		
Solderability	95% minimum coverage		
Moisture Resistance	±5%		
Life Test	±5%		
Test Method	EIA Specification RS-344		

Physical Data



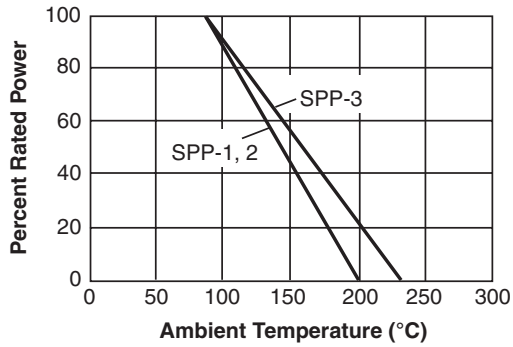
Dimensions (Inches and (mm))

IRC Type	A	B	C ± .002
SPP-1	0.400 max.	0.148 max.	0.032
SPP-2	0.570 max.	0.170 max.	0.032
SPP-3	0.570 max	0.170 max.	0.032

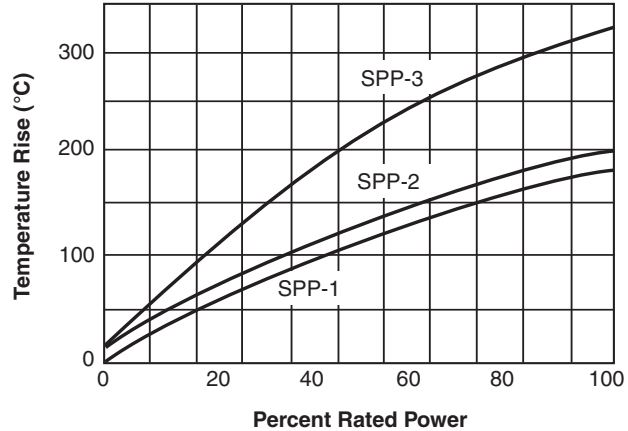
Low-Cost General Purpose Conformal Coated Wirewound Resistor



Power Derating Curve



Temperature Rise Curve



Ordering Data

