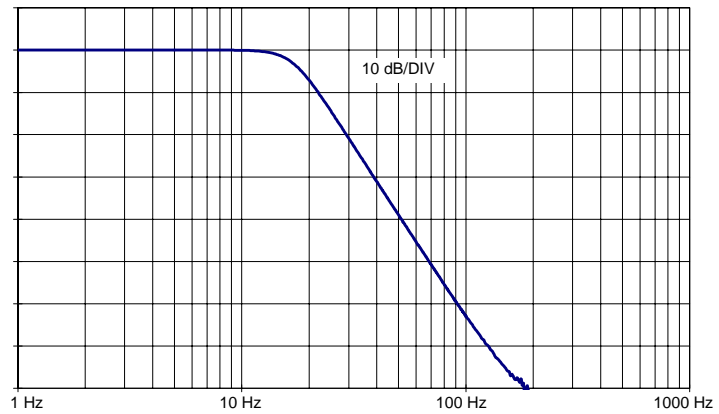


Active Lowpass Filter

KR Model 2195

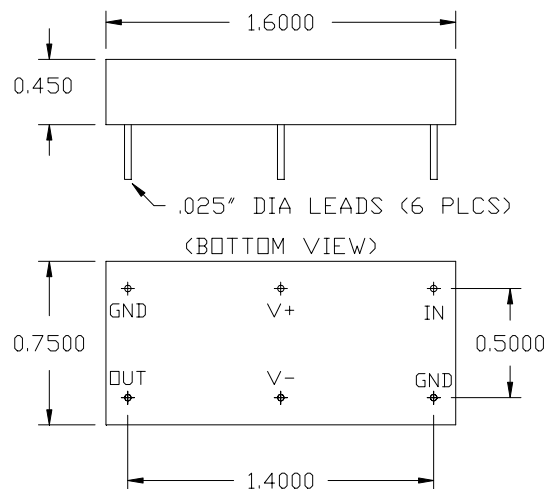
Overall Response



Specifications

KR Part Number	2195
Filter Type	16 Hz Active Lowpass Filter
Approximate -3 dB Frequency	16 Hz
Attenuation at 60 Hz and above	>40 dB
Gain	0 dB \pm 0.1 dB
Supply Voltage	\pm 15 V
Supply Current	7 mA max
Operating Temperature	0° C to 70° C
Storage Temperature	0° C to 70° C

Outline Drawing



Epoxy Package

All Dimensions inches

Connect both ground pins to ground plane

KR Electronics
www.krfilters.com
 91 Avenel Street
 Avenel, NJ 07001
 732-636-1900