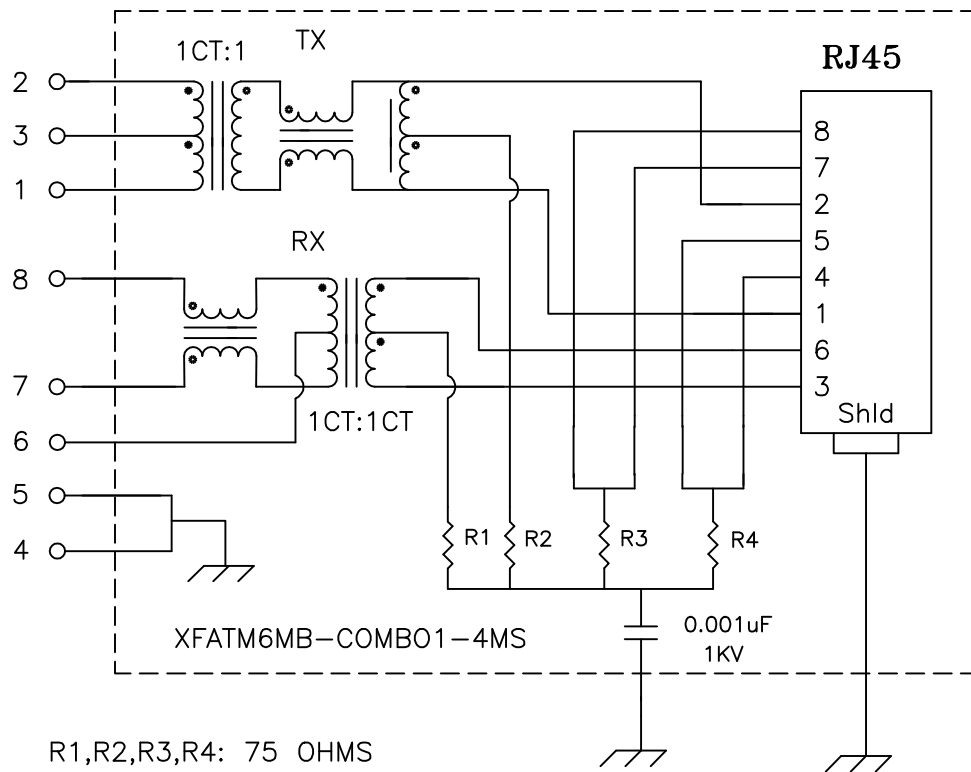


Schematic:



R1,R2,R3,R4: 75 OHMS

Electrical Specifications: @25°C

- Isolation Voltage: 1500 Vrms (INPUT to OUTPUT)
- Isolation Voltage: 500 Vrms (6+7+8 to 1+2+3)
- URNS RATIO: TX 1CT:1 ±5% RX 1CT:1CT ±5%
- OCL: 350uH Minimum @100KHz 100mV 8mADC
- Insertion Loss (300KHz-100MHz): -1.0dB Typical
- Return Loss: 30MHz -16dB Typical
- 60MHz -12dB Typical
- 80MHz -10dB Typical
- CROSSTALK: 32MHz -40dB Minimum
- 62MHz -35dB Minimum
- 100MHz -35dB Minimum

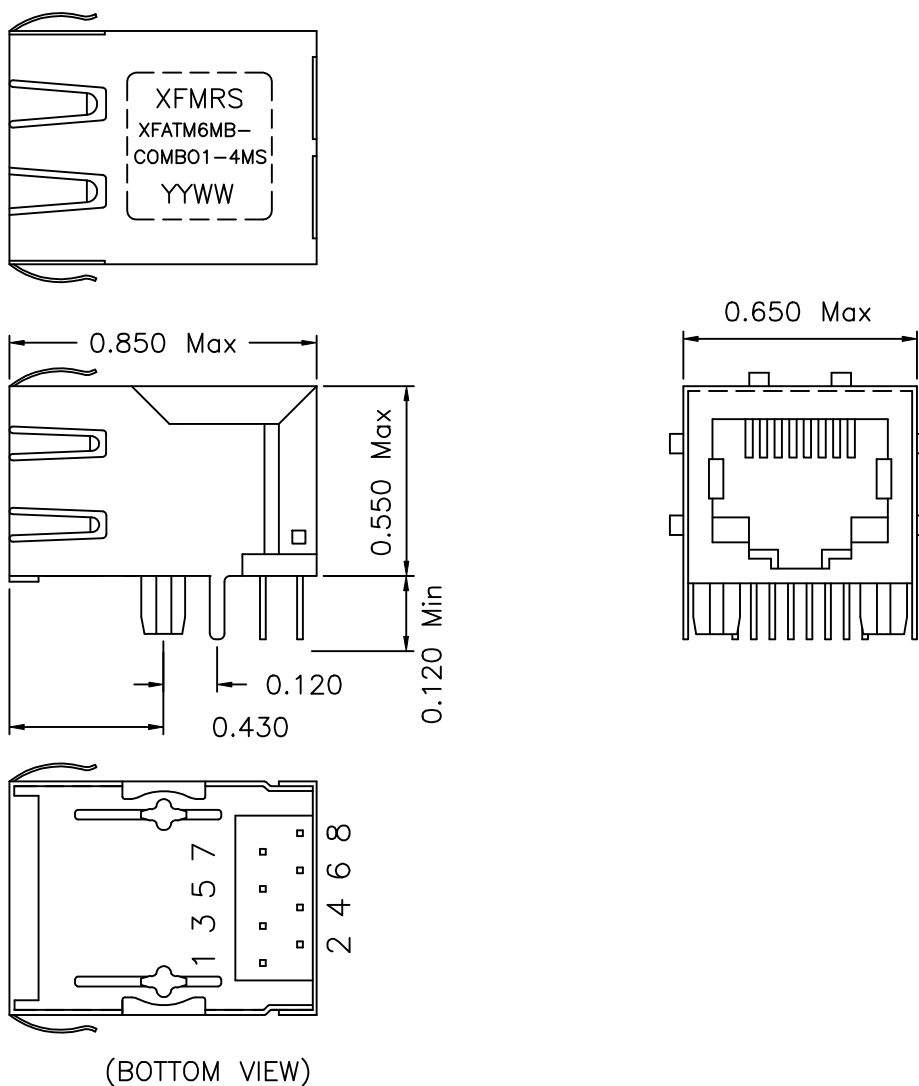
Notes:

1. Solderability: Leads shall meet MIL-STD-202, Method 208D for solderability.
2. Flammability: UL94V-0
3. ASTM oxygen index: > 28%
4. Insulation System: Class F 155°C. UL file E151556
5. Operating Temperature Range: All listed parameters are to be within tolerance from -40°C to +85°C
6. Storage Temperature Range: -55°C to +125°C
7. Aqueous wash compatible

DOC. REV: A/1

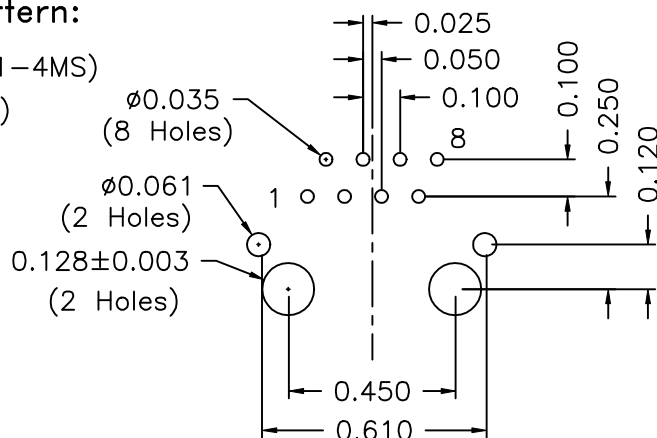
XFMRs Inc. UNLESS OTHERWISE SPECIFIED TOLERANCES: .xxx ±0.010 Dimensions in Inch SHEET 1 OF 2	Title: SINGLE PORT COMBO		
	P/N: XFATM6MB-COMBO1-4MS		REV. A
	DWN.	廖玉坤	Sep-24-02
	CHK.	李清儿	Sep-24-02
	APP.	BW	Sep-24-02

Mechanical Dimensions:



Mounting Pattern:

(FOR COMBO1-4MS)
(COMP SIDE)



DOC REV: A/1

XFMR5 Inc.	Title: Mechanical Dimensions For COMBO1-4MS Series		
UNLESS OTHERWISE SPECIFIED	P/N: XFATM6MB-COMBO1-4MS	REV. A	
TOLERANCES: .xxx ±0.010	DWN.	李小锋	Sep-24-02
Dimensions in Inch	CHK.	廖玉坤	Sep-24-02
SHEET 2 OF 2	APP.	BW	Sep-24-02