



# SWG215000(2V1500AH)



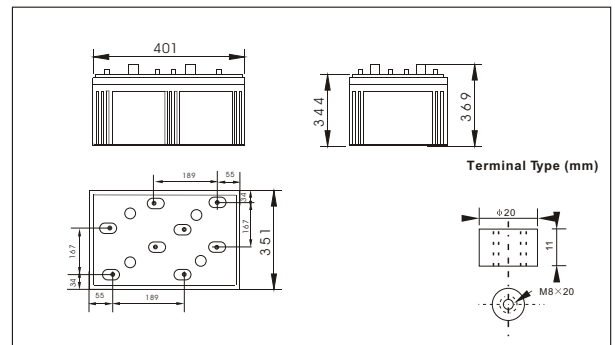
## Specifications

Nominal Voltage		2 V
Rated capacity (20 hour rate)		1500 Ah
Dimensions	Total Height	369 mm (14.5 inches)
	Height	344 mm (13.5 inches)
	Length	401 mm (15.8 inches)
	Width	351 mm (13.8 inches)
Weight Approx		105 Kg(232lbs)

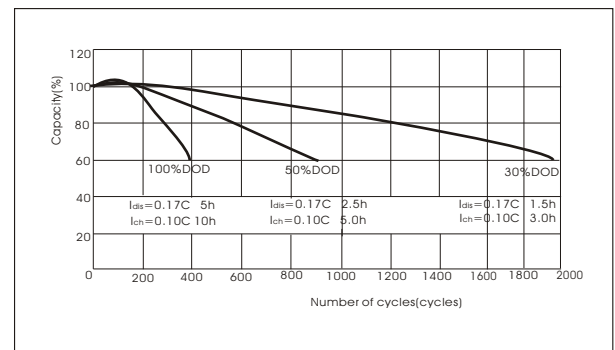
## Characteristics

Capacity 25°C(77°F)	20 hour rate(75 A)	1500 AH
	10 hour rate(138 A)	1380 AH
	5 hour rate(220 A)	1104 AH
	1 hour rate(828 A)	828AH
Internal Resistance	Full charged Battery at 25°C (77°F)	0.32 mΩ
Capacity affected by Temperature (10hour rate)	40°C (104°F)	102%
	25°C (77°F)	100%
	0°C (32°F)	85%
	-15°C (5°F)	65%
Self-Discharge at 25°C(77°F)	Capacity after 3 month storage	91%
	Capacity after 6 month storage	82%
	Capacity after 12 month storage	64%
Terminal		T20
Charge (constant Voltage)	Cycle	Initial Charging Current less than 552 A Voltage 2.35-2.40V
	Float	Voltage 2.25-2.30V

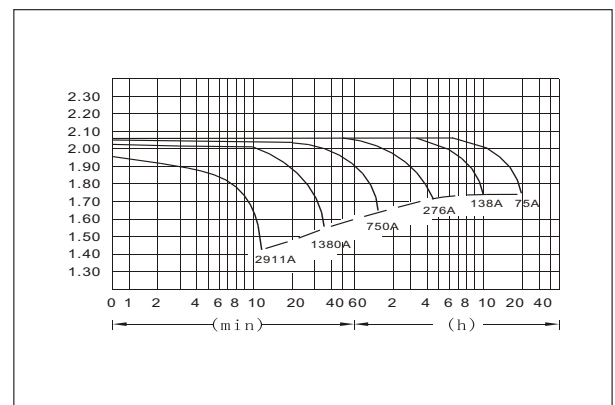
## Outer dimensions (mm)



## Curves of cycle life(25°C)



## Discharge Curves 25°C(77°F)



## Constant Current(Amp) and Constant Power(Watt) Discharge Table at 25°C(77°F)

Time		5min	10min	15min	30min	1h	2h	3h	4h	5h	8h	10h	20h
1.60V	A	4420	2912	2347	1573	828	483	355	276	228	161	145	78
	W	7603	5183	4195	2819	1490	884	658	518	431	308	279	152
1.70V	A	4281	2628	2211	1504	778	461	345	269	224	157	142	76
	W	7620	4890	4123	2814	1467	885	666	522	434	307	278	148
1.75V	A	4141	2350	1933	1408	753	450	337	265	221	156	139	76
	W	7537	4456	3677	2700	1454	870	654	517	431	306	275	150
1.80V	A	3991	2215	1797	1297	729	439	328	261	215	152	138	75
	W	7463	4257	3450	2505	1414	857	645	513	424	300	273	148
1.85V	A	3857	2076	1659	1159	704	428	317	254	210	148	131	70
	W	7290	4006	3218	2260	1379	843	628	504	417	295	264	142