

## Specifications

Insulation Resistance: 1,000M $\Omega$  min. at 100V DC  
 Dielectric Withstanding Voltage: 100V AC for 1 minute  
 Contact Resistance: 200m $\Omega$  max. at 10mA/20mV max.  
 Operating Temperature Range: -30°C to +100°C

## Materials and Finish

Housing: Polyethersulphone (PES), glass-filled and Polyetherimide (PEI), glass-filled

Contacts: Beryllium Copper (BeCu)

Plating: Gold over Nickel

## Features

- Open Top Handler type sockets for LGA / BGA / CSP packages
- Spring probe contacts in TH
- Depopulation versions available



## Part Number (Details)

**IC275 - 048 49**

Series No.

No. of Contact Pins

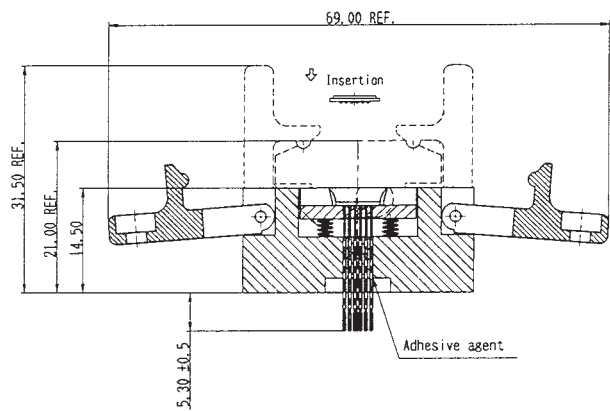
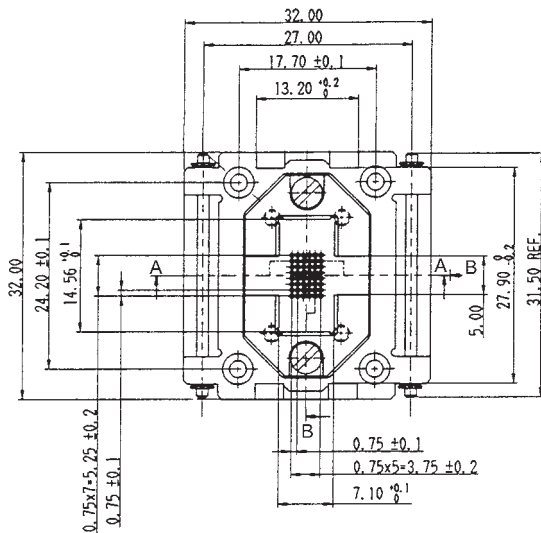
Design Number

## Ordering Procedure

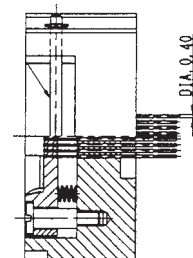
**Note:** Each Test Contactor Socket is custom built.

The customer must specify the number of contact pins, required pitch, all device parameters and any other special requirements. The final part number will be determined by Yamaichi.

## Socket / Handler Base (Cover Optional)



Socket Cross-section



Part Number	Pin Count	Pitch	Grid Size	IC Body Size	Package Type
IC275-04833	48	0.75	6 x 8	6.0 x 8.0	CSP
IC275-04849	48	0.75	6 x 8	6.94 x 14.40	BGA
IC275-05450	48	0.75	6 x 8	6.5 x 6.5	BGA
IC275-38828	388	1.27	26 x 26	35.0 x 30.0	BGA

## Specifications

Insulation Resistance: 1M $\Omega$  min. at 500V DC  
 Dielectric Withstanding Voltage: 100V AC for 1 minute  
 Contact Resistance: 200m $\Omega$  max. at 10mA/20mV max.  
 Operating Temperature Range: -40°C to +100°C  
 Contact Force: 15g~80g per Pin

## Materials and Finish

Housing: Polyethersulphone (PES), glass-filled and  
 Polyetherimide (PEI), glass-filled  
 Contacts: Beryllium Copper (BeCu)  
 Plating: Gold over Nickel

## Features

- ⇨ Open Top Handler type sockets for LGA / BGA / CSP packages
- ⇨ Spring probe contacts in SMT
- ⇨ Depopulation versions available

## Part Number (Details)

**IC274 - 119 01**

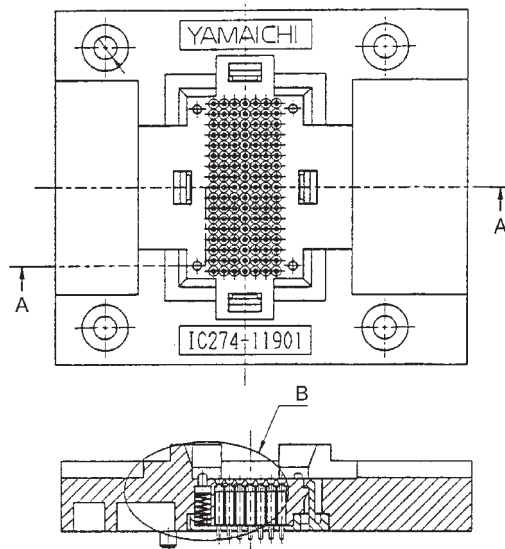
Series No.

No. of Contact Pins

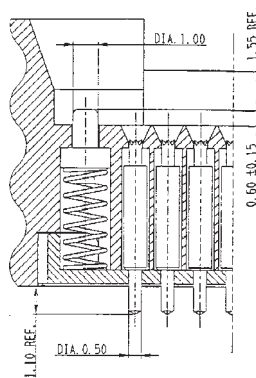
Design Number



## Socket / Handler Base



Section A - A



Detail 'B'

## Socket / Handler Base with Cover

