

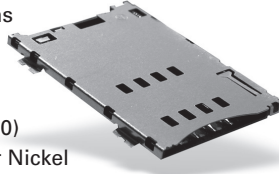
Series FMS 8 Pin SIM Card Reader (Push / Push with Switch)

Specifications

Insulation Resistance:	500MΩ min. at 500V DC
Withstanding Voltage:	500V ACrms for 1 minute
Contact Resistance:	100mΩ max. at 1mA / 20mV max.
Current Rating:	0.5A
Voltage Rating:	5.0Vrms
Operating Temp. Range:	-55°C to +85°C
Mating Cycles:	5,000 insertions

Materials and Finish

Insulator:	LCP, glass filled (UL94V-0)
Contact Plating:	Mating Face - Gold over Nickel
	Solder Tails - Gold over Nickel



Part Number (Details)

FMS008 - 6001 - 0

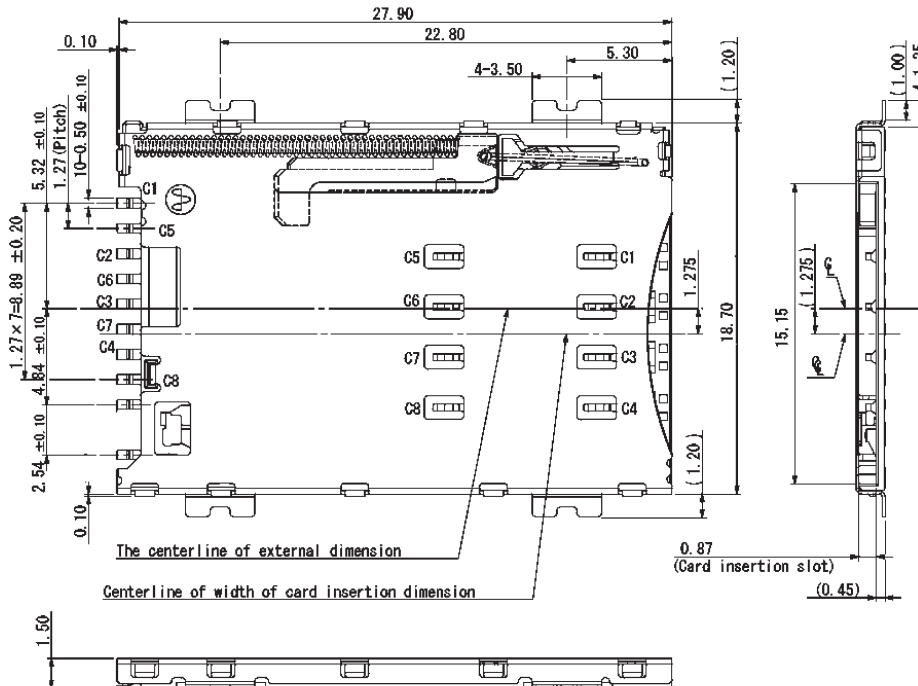
Series No.

Design No.

Features

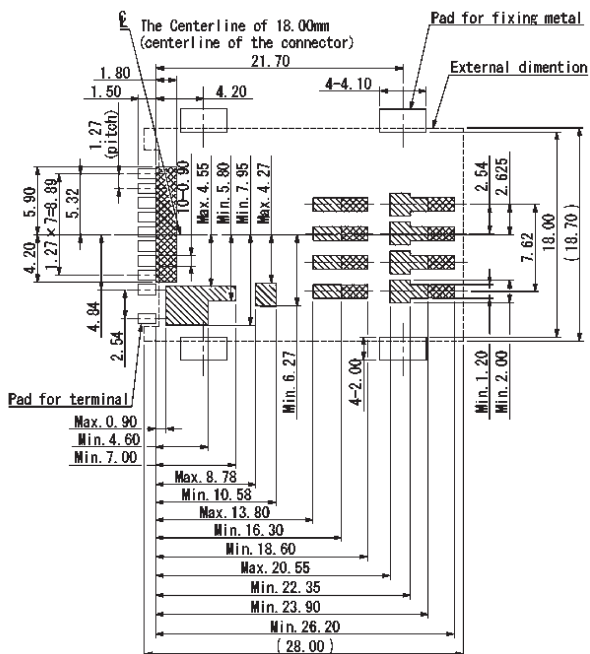
- 8 SIM contacts
- Super low profile of 1.5mm
- With switch
- Top Mount for SMT soldering
- Smooth extraction function by Push/Push mechanism
- Tape & Reel packaging 1,000 pcs per reel

Outline Dimensions for FMS008-6001-0



Recommended PCB Layout

Top View



Card Insertion Details

