

# 74LVTN16244B

3.3 V 16-bit buffer/driver; 3-state

Rev. 01 — 13 July 2009

Product data sheet

## 1. General description

The 74LVTN16244B is a high-performance BiCMOS product designed for  $V_{CC}$  operation at 3.3 V.

This device is a 16-bit buffer and line driver featuring non-inverting 3-state bus outputs. The device can be used as four 4-bit buffers, two 8-bit buffers, or one 16-bit buffer.

## 2. Features

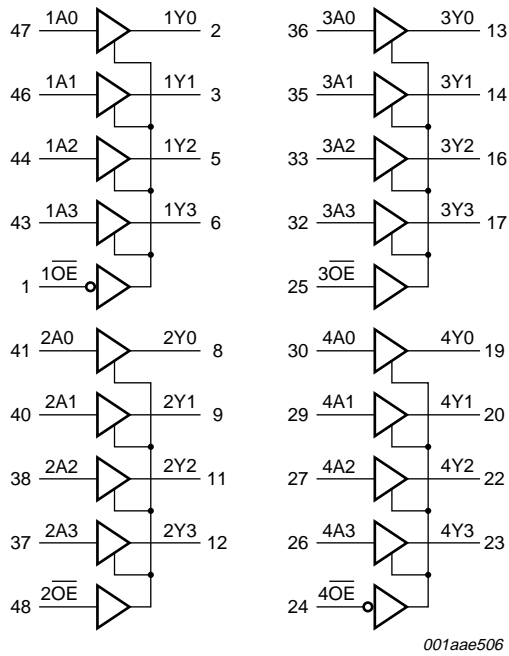
- 16-bit bus interface
- 3-state buffers
- Output capability: +64 mA and -32 mA
- TTL input and output switching levels
- Input and output interface capability to systems at 5 V supply
- Power-up 3-state
- Live insertion and extraction permitted
- No bus current loading when output is tied to 5 V bus
- Latch-up protection
  - ◆ JESD78 Class II exceeds 500 mA
- ESD protection:
  - ◆ HBM JESD22-A114E exceeds 2000 V
  - ◆ MM JESD22-A115-A exceeds 200 V

## 3. Ordering information

Table 1. Ordering information

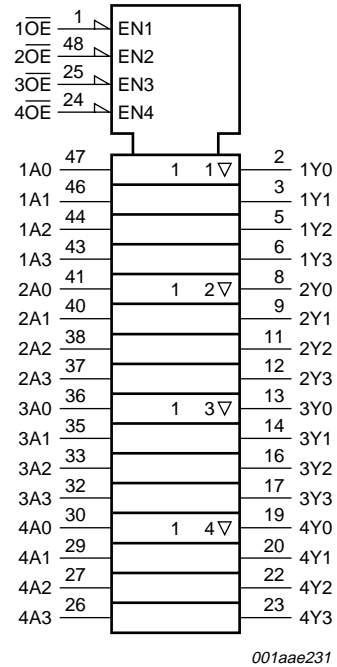
Type number	Package			Version
	Temperature range	Name	Description	
74LVTN16244BDGG	-40 °C to +85 °C	TSSOP48	plastic thin shrink small outline package; 48 leads; body width 6.1 mm	SOT362-1
74LVTN16244BBQ	-40 °C to +85 °C	HUQFN60U	plastic thermal enhanced ultra thin quad flat package; no leads; 60 terminals; UTLP based; body 4 x 6 x 0.55 mm	SOT1025-1

4. Functional diagram



Pin numbers are shown for TSSOP48 package only.

Fig 1. Logic symbol

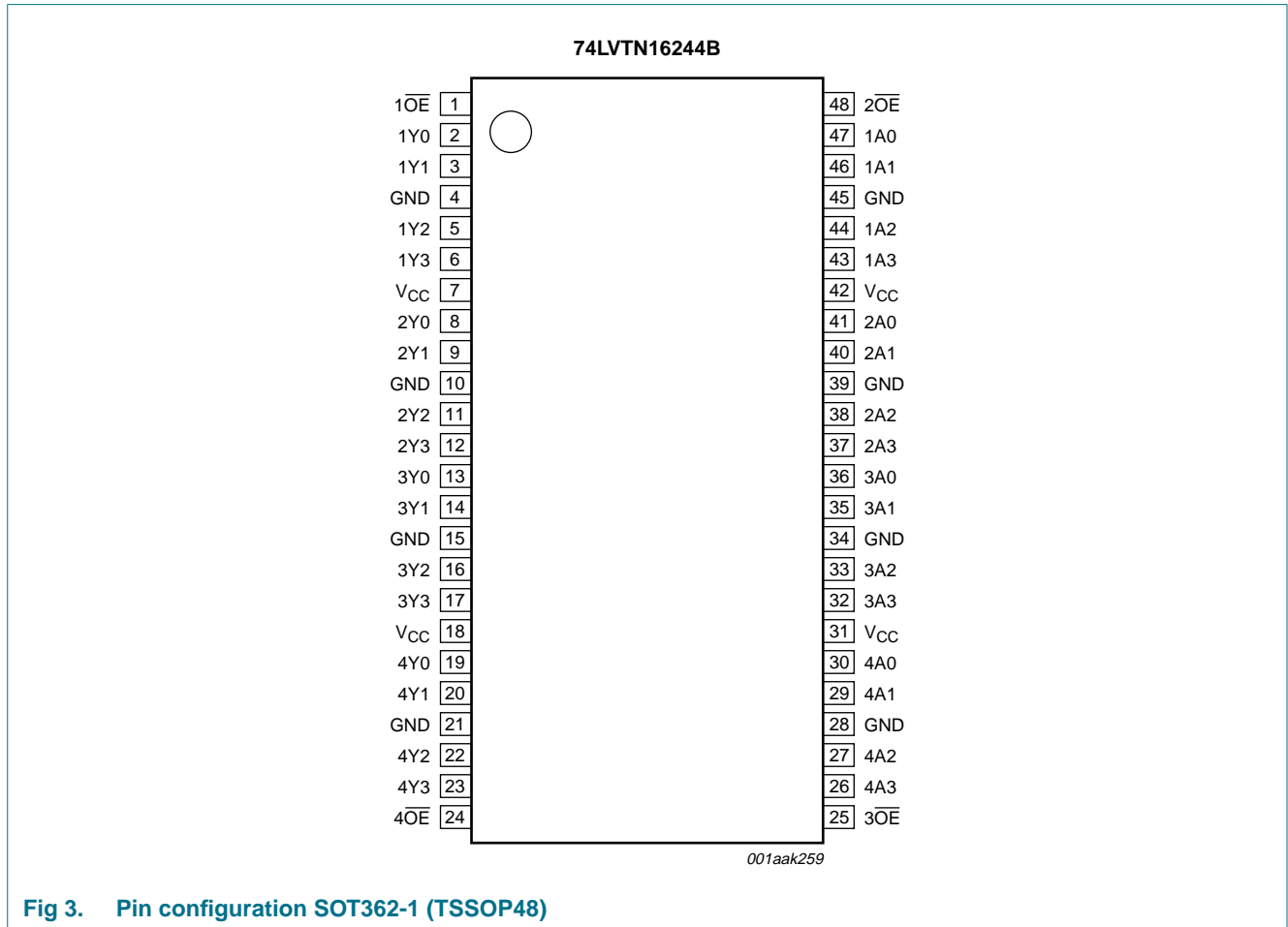


Pin numbers are shown for TSSOP48 package only.

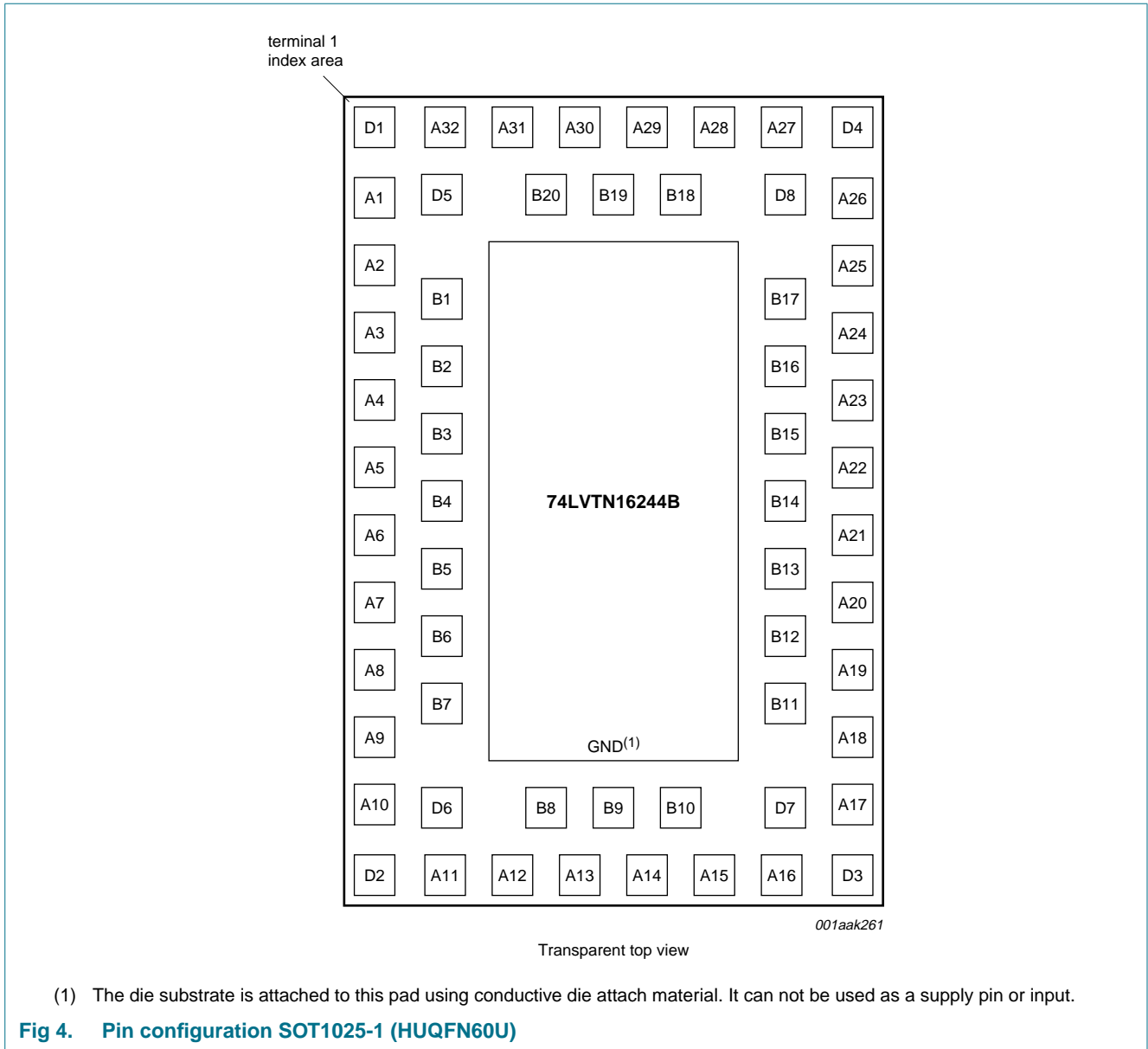
Fig 2. IEC logic symbol

**5. Pinning information**

**5.1 Pinning**



**Fig 3. Pin configuration SOT362-1 (TSSOP48)**



## 5.2 Pin description

**Table 2. Pin description**

Symbol	Pin		Description
	SOT362-1	SOT1025-1	
1OE, 2OE, 3OE, 4OE	1, 48, 25, 24	A30, A29, A14, A13	output enable input (active LOW)
1Y0 to 1Y3	2, 3, 5, 6	B20, A31, D5, D1	data output
2Y0 to 2Y3	8, 9, 11, 12	A2, B2, B3, A5	data output
3Y0 to 3Y3	13, 14, 16, 17	A6, B5, B6, A9	data output
4Y0 to 4Y3	19, 20, 22, 23	D2, D6, A12, B8	data output

Table 2. Pin description ...continued

Symbol	Pin		Description
	SOT362-1	SOT1025-1	
GND	4, 10, 15, 21, 28, 34, 39, 45	A32, A3, A8, A11, A16, A19, A24, A27	ground (0 V)
V <sub>CC</sub>	7, 18, 31, 42	A1, A10, A17, A26	supply voltage
1A0 to 1A3	47, 46, 44, 43	B18, A28, D8, D4	data input
2A0 to 2A3	41, 40, 38, 37	A25, B16, B15, A22	data input
3A0 to 3A3	36, 35, 33, 32	A21, B13, B12, A18	data input
4A0 to 4A3	30, 29, 27, 26	D3, D7, A15, B10	data input
n.c.	-	A4, A7, A20, A23, B1, B4, B7, B9, B11, B14, B17, B19	not connected

## 6. Functional description

Table 3. Function table<sup>[1]</sup>

Control	Input	Output
nOE	nAn	nYn
L	L	L
L	H	H
H	X	Z

[1] H = HIGH voltage level; L = LOW voltage level; X = don't care; Z = high-impedance OFF-state.

## 7. Limiting values

Table 4. Limiting values

In accordance with the Absolute Maximum Rating System (IEC 60134). Voltages are referenced to GND (ground = 0 V).

Symbol	Parameter	Conditions	Min	Max	Unit
V <sub>CC</sub>	supply voltage		-0.5	+4.6	V
V <sub>I</sub>	input voltage		<sup>[1]</sup> -0.5	+7.0	V
V <sub>O</sub>	output voltage	output in OFF-state or HIGH-state	<sup>[1]</sup> -0.5	+7.0	V
I <sub>IK</sub>	input clamping current	V <sub>I</sub> < 0 V	-50	-	mA
I <sub>OK</sub>	output clamping current	V <sub>O</sub> < 0 V	-50	-	mA
I <sub>O</sub>	output current	output in LOW-state	-	128	mA
		output in HIGH-state	-64	-	mA
T <sub>stg</sub>	storage temperature		-65	+150	°C
T <sub>j</sub>	junction temperature		<sup>[2]</sup> -	150	°C

**Table 4. Limiting values ...continued**

In accordance with the Absolute Maximum Rating System (IEC 60134). Voltages are referenced to GND (ground = 0 V).

Symbol	Parameter	Conditions	Min	Max	Unit
P <sub>tot</sub>	total power dissipation	T <sub>amb</sub> = -40 °C to +85 °C;			
		TSSOP48 package	[3] -	500	mW
		HUQFN60U package	[4] -	1000	mW

- [1] The input and output negative voltage ratings may be exceeded if the input and output clamp current ratings are observed.
- [2] The performance capability of a high-performance integrated circuit in conjunction with its thermal environment can create junction temperatures which are detrimental to reliability.
- [3] Above 60 °C the value of P<sub>tot</sub> derates linearly with 5.5 mW/K.
- [4] Above 70 °C the value of P<sub>tot</sub> derates linearly with 1.8 mW/K.

## 8. Recommended operating conditions

**Table 5. Recommended operating conditions**

Symbol	Parameter	Conditions	Min	Typ	Max	Unit
V <sub>CC</sub>	supply voltage		2.7	-	3.6	V
V <sub>I</sub>	input voltage		0	-	5.5	V
V <sub>IH</sub>	HIGH-level input voltage		2.0	-	-	V
V <sub>IL</sub>	LOW-level input voltage		-	-	0.8	V
I <sub>OH</sub>	HIGH-level output current		-32	-	-	mA
I <sub>OL</sub>	LOW-level output current	none	-	-	32	mA
		current duty cycle ≤ 50 %; f <sub>i</sub> ≥ 1 kHz	-	-	64	mA
T <sub>amb</sub>	ambient temperature	in free-air	-40	-	+85	°C
Δt/ΔV	input transition rise and fall rate	outputs enabled	-	-	10	ns/V

## 9. Static characteristics

**Table 6. Static characteristics**

At recommended operating conditions; voltages are referenced to GND (ground = 0 V).

Symbol	Parameter	Conditions	Min	Typ	Max	Unit
<b>T<sub>amb</sub> = -40 °C to +85 °C</b> <sup>[1]</sup>						
V <sub>IK</sub>	input clamping voltage	V <sub>CC</sub> = 2.7 V; I <sub>IK</sub> = -18 mA	-1.2	-0.85	-	V
V <sub>OH</sub>	HIGH-level output voltage	I <sub>OH</sub> = -100 μA; V <sub>CC</sub> = 2.7 V to 3.6 V	V <sub>CC</sub> - 0.2	V <sub>CC</sub>	-	V
		I <sub>OH</sub> = -8 mA; V <sub>CC</sub> = 2.7 V	2.4	2.5	-	V
		I <sub>OH</sub> = -32 mA; V <sub>CC</sub> = 3.0 V	2.0	2.3	-	V
V <sub>OL</sub>	LOW-level output voltage	V <sub>CC</sub> = 2.7 V				
		I <sub>OL</sub> = 100 μA	-	0.07	0.2	V
		I <sub>OL</sub> = 24 mA	-	0.3	0.5	V
		V <sub>CC</sub> = 3.0 V				
		I <sub>OL</sub> = 16 mA	-	0.25	0.4	V
		I <sub>OL</sub> = 32 mA	-	0.3	0.5	V
I <sub>I</sub>	input leakage current	all input pins; V <sub>CC</sub> = 0 V or 3.6 V; V <sub>I</sub> = 5.5 V	-	0.1	10	μA
		control pins; V <sub>CC</sub> = 3.6 V; V <sub>I</sub> = V <sub>CC</sub> or GND	-	0.1	±1.0	μA
		data pins; unused pins at V <sub>CC</sub> or GND				
		V <sub>I</sub> = V <sub>CC</sub> ; V <sub>CC</sub> = 3.6 V	-	0.1	1	μA
		V <sub>I</sub> = 0 V; V <sub>CC</sub> = 3.6 V	-5	-0.1	-	μA
I <sub>OFF</sub>	power-off leakage current	V <sub>CC</sub> = 0 V; V <sub>I</sub> or V <sub>O</sub> = 0 V to 4.5 V	-	0.1	±100	μA
I <sub>LO</sub>	output leakage current	output in HIGH-state when V <sub>O</sub> > V <sub>CC</sub> ; V <sub>O</sub> = 5.5 V; V <sub>CC</sub> = 3.0 V	-	50	125	μA
I <sub>O(pu/pd)</sub>	power-up/power-down output current	V <sub>CC</sub> ≤ 1.2 V; V <sub>O</sub> = 0.5 V to V <sub>CC</sub> ; V <sub>I</sub> = GND or V <sub>CC</sub> ; n $\overline{OE}$ = don't care	-	1	±100	μA
I <sub>OZ</sub>	OFF-state output current	V <sub>CC</sub> = 3.6 V; V <sub>I</sub> = V <sub>IH</sub> or V <sub>IL</sub>				
		output HIGH: V <sub>O</sub> = 3.0 V	-	0.5	5	μA
		output LOW: V <sub>O</sub> = 0.5 V	-5	+0.5	-	μA
I <sub>CC</sub>	supply current	V <sub>CC</sub> = 3.6 V; V <sub>I</sub> = GND or V <sub>CC</sub> ; I <sub>O</sub> = 0 A				
		output HIGH	-	0.07	0.12	mA
		output LOW	-	4.0	6.0	mA
		outputs disabled	<sup>[3]</sup> -	0.07	0.12	mA
ΔI <sub>CC</sub>	additional supply current	per input pin; V <sub>CC</sub> = 3.0 V to 3.6 V; one input at V <sub>CC</sub> - 0.6 V other inputs at V <sub>CC</sub> or GND	<sup>[4]</sup> -	0.1	0.2	mA
C <sub>I</sub>	input capacitance	V <sub>I</sub> = 0 V or 3.0 V	-	3	-	pF
C <sub>O</sub>	output capacitance	outputs disabled; V <sub>O</sub> = 0 V or 3.0 V	-	9	-	pF

[1] Typical values are measured at V<sub>CC</sub> = 3.3 V and at T<sub>amb</sub> = 25 °C.

[2] This parameter is valid for any V<sub>CC</sub> between 0 V and 1.2 V with a transition time of up to 10 ms. From V<sub>CC</sub> = 1.2 V to V<sub>CC</sub> = 3.3 V ± 0.3 V a transition time of 100 μs is permitted. This parameter is valid for T<sub>amb</sub> = 25 °C only.

[3] I<sub>CC</sub> is measured with outputs pulled to V<sub>CC</sub> or GND.

[4] This is the increase in supply current for each input at the specified voltage level other than V<sub>CC</sub> or GND.

## 10. Dynamic characteristics

**Table 7. Dynamic characteristics**

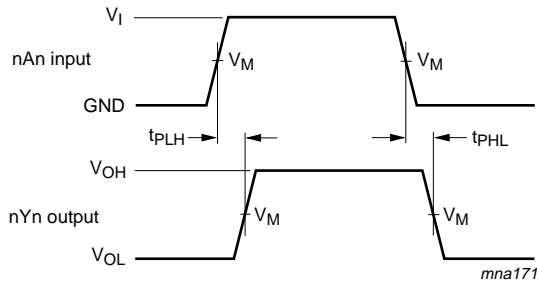
Voltages are referenced to GND (ground = 0 V); for test circuit see [Figure 7](#).

Symbol	Parameter	Conditions	Min	Typ	Max	Unit
<b>T<sub>amb</sub> = -40 °C to +85 °C<sup>[1]</sup></b>						
t <sub>PLH</sub>	LOW to HIGH propagation delay	nAn to nYn; see <a href="#">Figure 5</a>				
		V <sub>CC</sub> = 2.7 V	-	-	4.0	ns
t <sub>PHL</sub>	HIGH to LOW propagation delay	nAn to nYn; see <a href="#">Figure 5</a>				
		V <sub>CC</sub> = 3.0 V to 3.6 V	0.5	1.8	3.2	ns
t <sub>PZH</sub>	OFF-state to HIGH propagation delay	n $\overline{O}E$ to nYn; see <a href="#">Figure 6</a>				
		V <sub>CC</sub> = 2.7 V	-	-	5.0	ns
t <sub>PZL</sub>	OFF-state to LOW propagation delay	n $\overline{O}E$ to nYn; see <a href="#">Figure 6</a>				
		V <sub>CC</sub> = 3.0 V to 3.6 V	1.0	2.3	4.0	ns
t <sub>PHZ</sub>	HIGH to OFF-state propagation delay	n $\overline{O}E$ to nYn; see <a href="#">Figure 6</a>				
		V <sub>CC</sub> = 2.7 V	-	-	5.0	ns
t <sub>PLZ</sub>	LOW to OFF-state propagation delay	n $\overline{O}E$ to nYn; see <a href="#">Figure 6</a>				
		V <sub>CC</sub> = 3.0 V to 3.6 V	1.0	3.2	4.5	ns
t <sub>PLZ</sub>	LOW to OFF-state propagation delay	n $\overline{O}E$ to nYn; see <a href="#">Figure 6</a>				
		V <sub>CC</sub> = 2.7 V	-	-	4.4	ns
t <sub>PLZ</sub>	LOW to OFF-state propagation delay	n $\overline{O}E$ to nYn; see <a href="#">Figure 6</a>				
		V <sub>CC</sub> = 3.0 V to 3.6 V	1.0	2.9	4.0	ns

[1] Typical values are measured at V<sub>CC</sub> = 3.3 V and T<sub>amb</sub> = 25 °C.

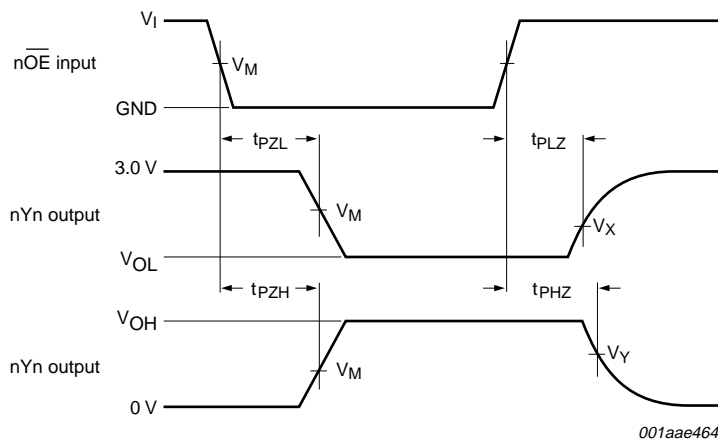


11. Waveforms



Measurements points are given in [Table 8](#).  
 VOL and VOH are typical voltage output levels that occur with the output load.

**Fig 5. Propagation delay input (nAn) to output (nYn)**

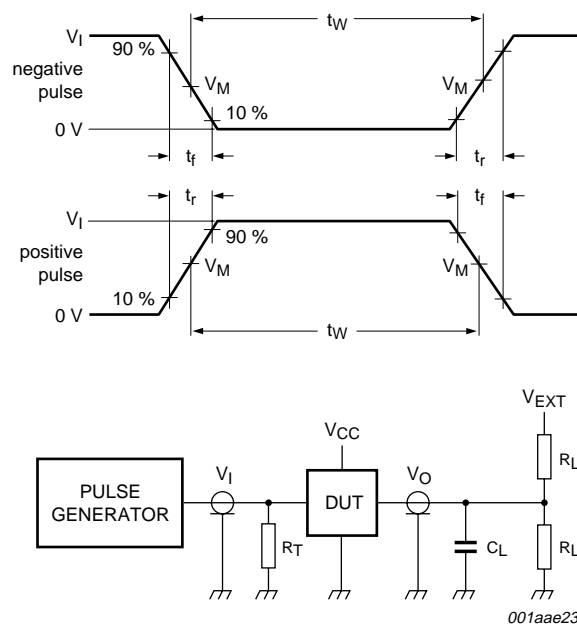


Measurements points are given in [Table 8](#).  
 VOL and VOH are typical voltage output levels that occur with the output load.

**Fig 6. 3-state output enable and disable times**

**Table 8. Measurement points**

Input	Output		
<b>VM</b>	<b>VM</b>	<b>Vx</b>	<b>Vy</b>
1.5 V	1.5 V	VOL + 0.3 V	VOH - 0.3 V



Test data is given in [Table 9](#).

Definitions test circuit:

$R_L$  = Load resistance.

$C_L$  = Load capacitance including jig and probe capacitance.

$R_T$  = Termination resistance should be equal to output impedance  $Z_o$  of the pulse generator.

$V_{EXT}$  = External voltage for measuring switching times.

**Fig 7. Load circuit for measuring switching times**

**Table 9. Test data**

Input				Load		$V_{EXT}$		
$V_I$	$f_i$	$t_W$	$t_r, t_f$	$C_L$	$R_L$	$t_{PHZ}, t_{PZH}$	$t_{PLZ}, t_{PZL}$	$t_{PLH}, t_{PHL}$
2.7 V	$\leq 10$ MHz	500 ns	$\leq 2.5$ ns	50 pF	500 $\Omega$	GND	6 V	open

12. Package outline

TSSOP48: plastic thin shrink small outline package; 48 leads; body width 6.1 mm

SOT362-1

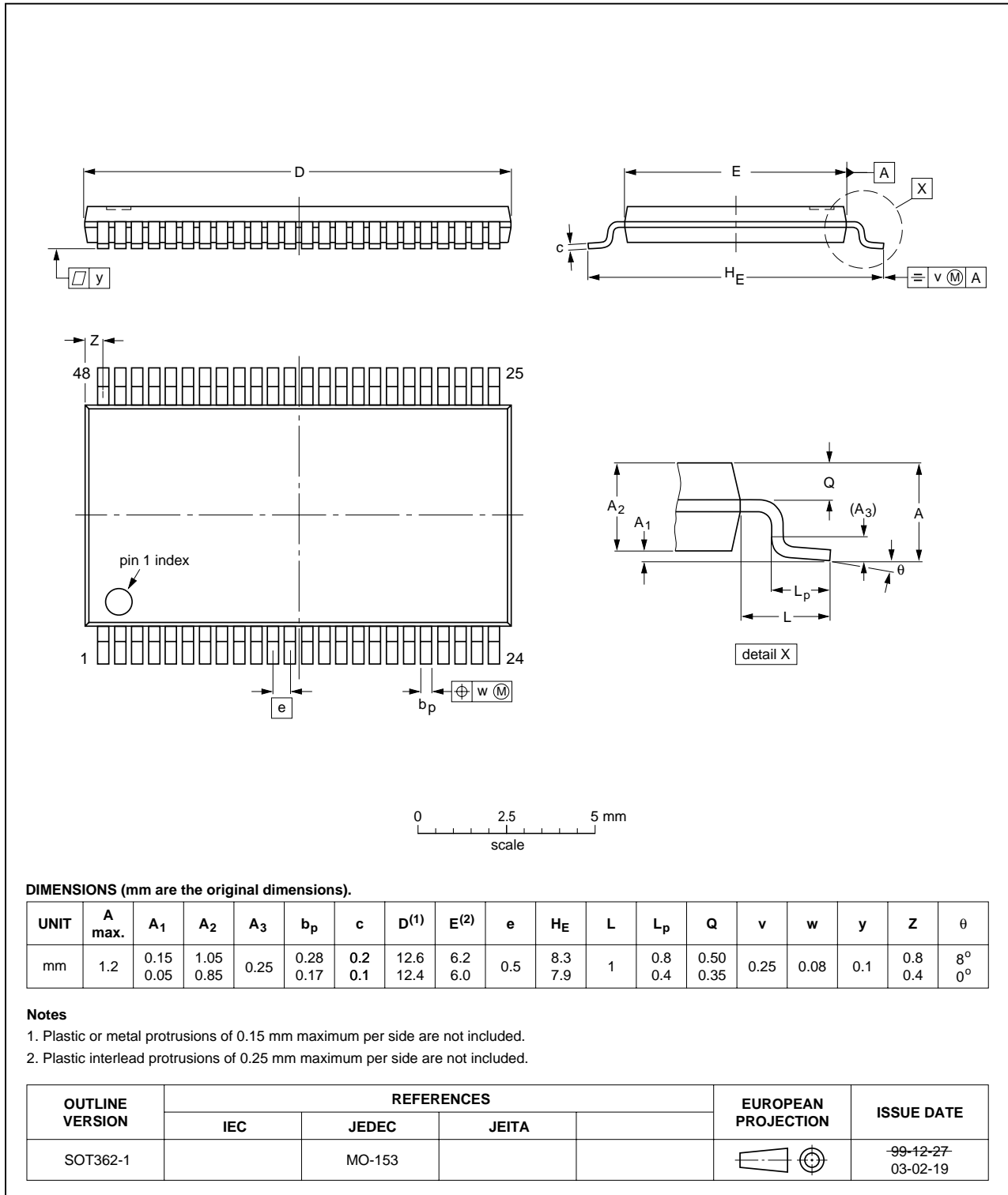


Fig 8. Package outline SOT362-1 (TSSOP48)

HUQFN60U: plastic thermal enhanced ultra thin quad flat package; no leads  
60 terminals; UTLP based; body 4 x 6 x 0.55 mm

SOT1025-1

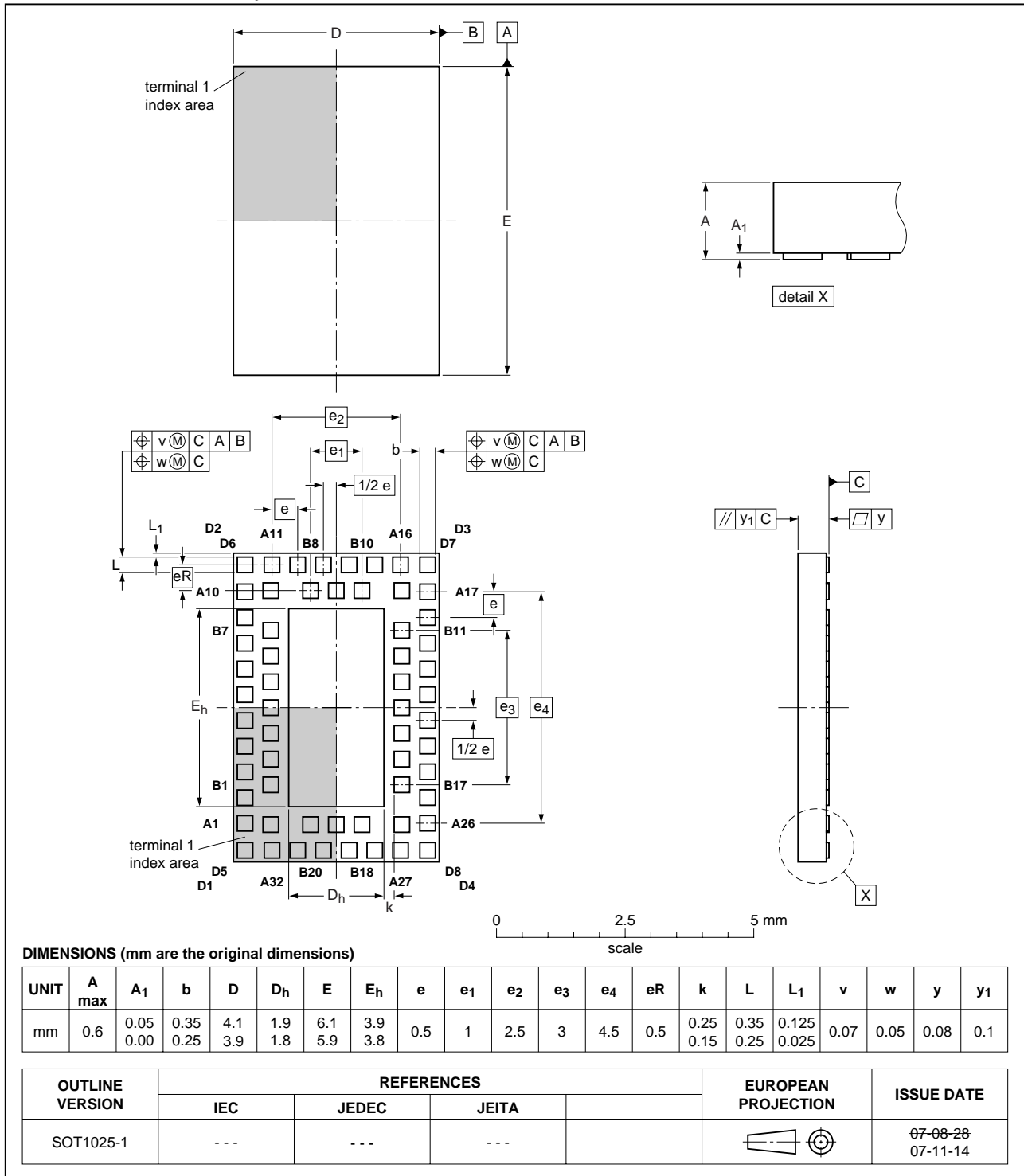


Fig 9. Package outline SOT1025-1 (HUQFN60U)

## 13. Abbreviations

Table 10. Abbreviations

Acronym	Description
BiCMOS	Bipolar Complementary Metal Oxide Semiconductor
DUT	Device Under Test
ESD	Electrostatic Discharge
HBM	Human Body Model
MM	Machine Model
TTL	Transistor-Transistor Logic

## 14. Revision history

Table 11. Revision history

Document ID	Release date	Data sheet status	Change notice	Supersedes
74LVTN16244B_1	20090713	Product data sheet	-	-

## 15. Legal information

### 15.1 Data sheet status

Document status <sup>[1][2]</sup>	Product status <sup>[3]</sup>	Definition
Objective [short] data sheet	Development	This document contains data from the objective specification for product development.
Preliminary [short] data sheet	Qualification	This document contains data from the preliminary specification.
Product [short] data sheet	Production	This document contains the product specification.

[1] Please consult the most recently issued document before initiating or completing a design.

[2] The term 'short data sheet' is explained in section "Definitions".

[3] The product status of device(s) described in this document may have changed since this document was published and may differ in case of multiple devices. The latest product status information is available on the Internet at URL <http://www.nxp.com>.

### 15.2 Definitions

**Draft** — The document is a draft version only. The content is still under internal review and subject to formal approval, which may result in modifications or additions. NXP Semiconductors does not give any representations or warranties as to the accuracy or completeness of information included herein and shall have no liability for the consequences of use of such information.

**Short data sheet** — A short data sheet is an extract from a full data sheet with the same product type number(s) and title. A short data sheet is intended for quick reference only and should not be relied upon to contain detailed and full information. For detailed and full information see the relevant full data sheet, which is available on request via the local NXP Semiconductors sales office. In case of any inconsistency or conflict with the short data sheet, the full data sheet shall prevail.

### 15.3 Disclaimers

**General** — Information in this document is believed to be accurate and reliable. However, NXP Semiconductors does not give any representations or warranties, expressed or implied, as to the accuracy or completeness of such information and shall have no liability for the consequences of use of such information.

**Right to make changes** — NXP Semiconductors reserves the right to make changes to information published in this document, including without limitation specifications and product descriptions, at any time and without notice. This document supersedes and replaces all information supplied prior to the publication hereof.

**Suitability for use** — NXP Semiconductors products are not designed, authorized or warranted to be suitable for use in medical, military, aircraft, space or life support equipment, nor in applications where failure or malfunction of an NXP Semiconductors product can reasonably be expected to result in personal injury, death or severe property or environmental

damage. NXP Semiconductors accepts no liability for inclusion and/or use of NXP Semiconductors products in such equipment or applications and therefore such inclusion and/or use is at the customer's own risk.

**Applications** — Applications that are described herein for any of these products are for illustrative purposes only. NXP Semiconductors makes no representation or warranty that such applications will be suitable for the specified use without further testing or modification.

**Limiting values** — Stress above one or more limiting values (as defined in the Absolute Maximum Ratings System of IEC 60134) may cause permanent damage to the device. Limiting values are stress ratings only and operation of the device at these or any other conditions above those given in the Characteristics sections of this document is not implied. Exposure to limiting values for extended periods may affect device reliability.

**Terms and conditions of sale** — NXP Semiconductors products are sold subject to the general terms and conditions of commercial sale, as published at <http://www.nxp.com/profile/terms>, including those pertaining to warranty, intellectual property rights infringement and limitation of liability, unless explicitly otherwise agreed to in writing by NXP Semiconductors. In case of any inconsistency or conflict between information in this document and such terms and conditions, the latter will prevail.

**No offer to sell or license** — Nothing in this document may be interpreted or construed as an offer to sell products that is open for acceptance or the grant, conveyance or implication of any license under any copyrights, patents or other industrial or intellectual property rights.

**Export control** — This document as well as the item(s) described herein may be subject to export control regulations. Export might require a prior authorization from national authorities.

### 15.4 Trademarks

Notice: All referenced brands, product names, service names and trademarks are the property of their respective owners.

## 16. Contact information

For more information, please visit: <http://www.nxp.com>

For sales office addresses, please send an email to: [salesaddresses@nxp.com](mailto:salesaddresses@nxp.com)

**17. Contents**

1 **General description** . . . . . 1

2 **Features** . . . . . 1

3 **Ordering information** . . . . . 1

4 **Functional diagram** . . . . . 2

5 **Pinning information** . . . . . 3

5.1 Pinning . . . . . 3

5.2 Pin description . . . . . 4

6 **Functional description** . . . . . 5

7 **Limiting values** . . . . . 5

8 **Recommended operating conditions** . . . . . 6

9 **Static characteristics** . . . . . 7

10 **Dynamic characteristics** . . . . . 8

11 **Waveforms** . . . . . 9

12 **Package outline** . . . . . 11

13 **Abbreviations** . . . . . 13

14 **Revision history** . . . . . 13

15 **Legal information** . . . . . 14

15.1 Data sheet status . . . . . 14

15.2 Definitions . . . . . 14

15.3 Disclaimers . . . . . 14

15.4 Trademarks . . . . . 14

16 **Contact information** . . . . . 14

17 **Contents** . . . . . 15

Please be aware that important notices concerning this document and the product(s) described herein, have been included in section 'Legal information'.



© NXP B.V. 2009.

All rights reserved.

For more information, please visit: <http://www.nxp.com>

For sales office addresses, please send an email to: [salesaddresses@nxp.com](mailto:salesaddresses@nxp.com)

Date of release: 13 July 2009

Document identifier: 74LVTN16244B\_1