



**121-001**  
**Type B Series 72 Annular Convulsed Tubing**  
**Thermally Stabilized Kynar®**

**TYPE  
B  
INTERNAL  
TIN/COPPER  
BRAID**

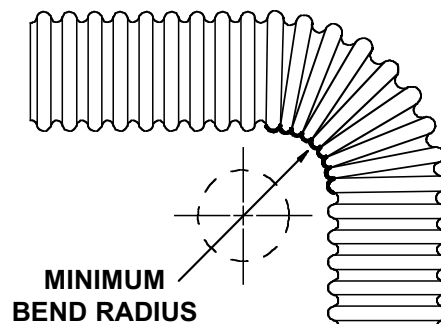
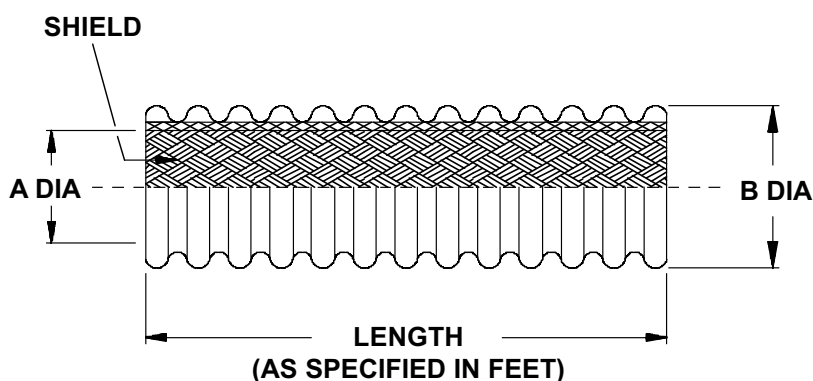
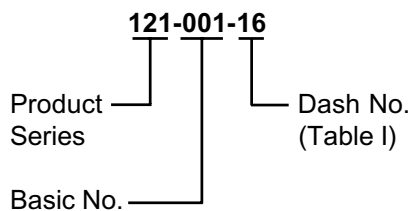


TABLE I					
DASH NO.	A DIA		B DIA		MINIMUM BEND RADIUS
	MIN	MAX	MIN	MAX	
09	.17 (4.3)	.21 (5.3)	.38 (9.7)	.42 (10.7)	.75 (19.1)
12	.26 (6.6)	.30 (7.6)	.48 (12.2)	.52 (13.2)	1.00 (25.4)
16	.38 (9.6)	.43 (10.9)	.60 (15.2)	.66 (16.8)	1.38 (35.1)
20	.50 (12.7)	.55 (14.0)	.71 (18.0)	.77 (20.0)	1.69 (42.9)
24	.62 (15.7)	.68 (17.3)	.88 (22.4)	.94 (23.9)	1.88 (47.8)
28	.74 (18.8)	.80 (20.3)	1.00 (25.4)	1.08 (27.4)	2.00 (50.8)
32	.86 (21.8)	.93 (23.6)	1.12 (28.4)	1.20 (30.5)	2.38 (60.5)
40	1.11 (28.2)	1.18 (30.0)	1.36 (34.5)	1.44 (36.6)	2.88 (73.2)

Metric dimensions (mm) are in parentheses.

Note: Tubing supplied in random lengths.  
For specific size lengths, consult factory.