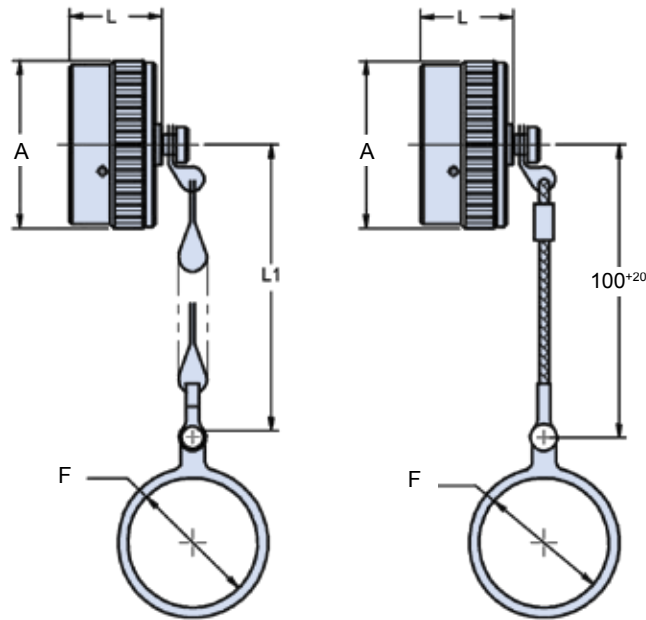


IPT 3181-N and IPT 3181-NF Protective Receptacle Covers



IPT 3181-10 N F2

MIL-C-26482 Accessory
 Basic Part Number and Shell Size
 Lanyard Style
 N - Chain
 NF - Nylon Chord
 Finish Options (See Table II)



Example: IPT3181-18N
(Stainless Steel Chain)

Example: IPT3181-18NF
(Nylon Cord)

TABLE II:

Shell Finish
<i>Omit for Standard Cad/Olive Drab Finish</i>
F2 - Bright Nickel Plating (RoHs)
F6 - Black Electrodeposited Paint (RoHs)
F7 - Black Zn-Co Plating (RoHs)
F8 - Olive Drab Zn-Co Plating

TABLE I: DIMENSIONS

Commital P/N	Shell size	A Max.	F +0.2 -0.1	L +0.25 -0	L1 ±3
IPT3181- 8N	8	17.95	14.70	14.50	76.2
IPT3181-10N	10	20.70	17.85	14.50	76.2
IPT3181-12N	12	25.40	22.65	14.50	88.9
IPT3181-14N	14	28.65	25.80	14.50	88.9
IPT3181-16N	16	31.90	29.00	14.50	88.9
IPT3181-18N	18	34.70	32.15	14.50	88.9
IPT3181-20N	20	38.00	35.35	14.50	101.6
IPT3181-22N	22	41.25	38.50	14.50	101.6
IPT3181-24N	24	44.40	41.00	15.55	101.6