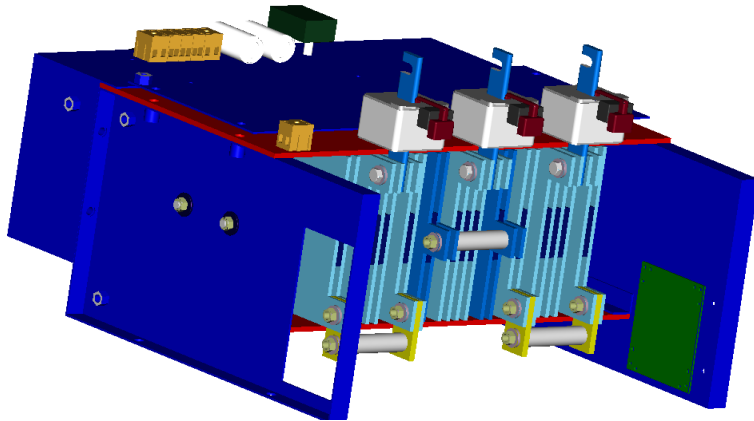


GOA9xx06C

THREE PHASE AC-SWITCH

Fuse protection
Blown fuse indicators with microswitch
Over temperature switches
Fan loss detection circuit
Snubber for SCR's protections
Compact design



LINE VOLTAGE UP TO 500V
RMS OUTPUT CURRENT 600A

GOA94006C GOA95006C

Line to line voltage	400	500
----------------------	------------	------------

Characteristic		Conditions	Value	Value	
I _{RMS}	RMS output current		600 A	600 A	
V _{INS (rms)}	Insulation voltage		3000 V	3000 V	

THYRISTOR TRIGGERING CHARACTERISTICS

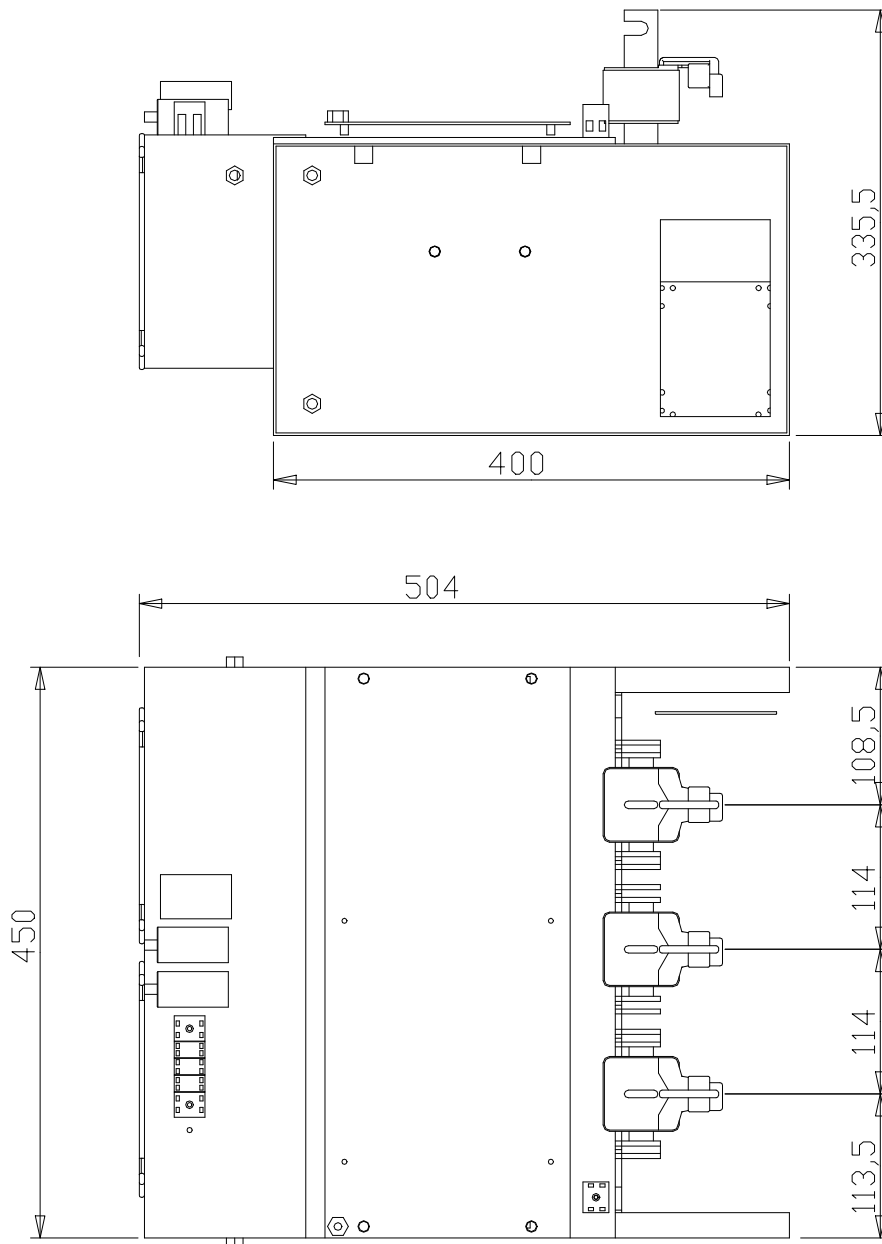
V _{GT}	Gate trigger voltage	T _j = 25 °C, V _D = 5 V	3 V	3 V	
I _{GT}	Gate trigger current	T _j = 25 °C, V _D = 5 V	300 mA	300 mA	
dV/dt	Critical rate of rise off-state voltage	T _j = 125 °C	1000 V/us	1000 V/us	
V _{RRM}	Blocking Voltage	T _j = 125 °C	1200 V	1600 V	

FUSE TYPE SIBA 2062432.700

V _{NF}	Rated voltage		690 V	690 V	
I _{NF}	Rated current		700 A	700 A	
P _{VF}	Power loss	At rated current	99 W	99 W	
I ² t	Total I ² t	At 660V	410 kA2s	410 kA2s	

MECHANICAL AND THERMAL CHARACTERISTICS

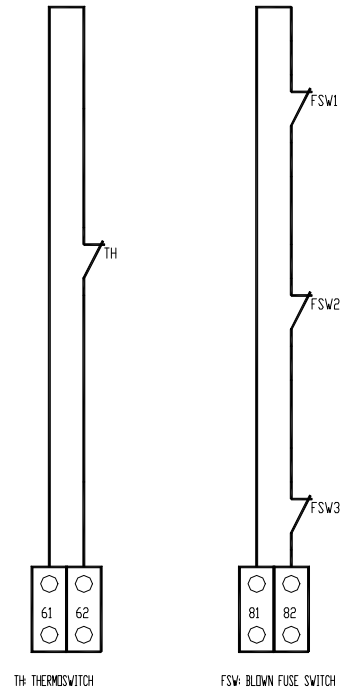
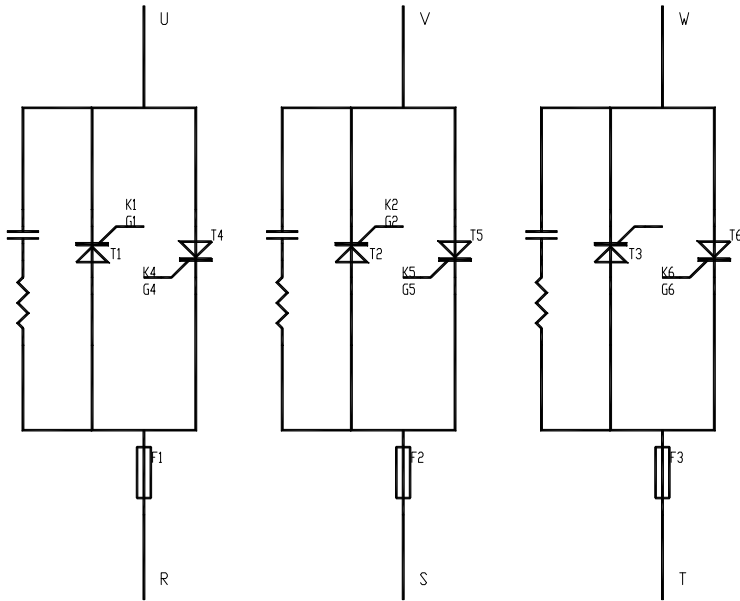
	Width		400 mm	450 mm	
	Depth		340 mm	340 mm	
	Height		500 mm	500 mm	
	Mass		30 Kg	30 Kg	
T _{a max}	Max amb. op. Temp.		40 °C	40 °C	
T _{stg}	Storage temperature		-40/ +60 °C	-40/ +60 °C	



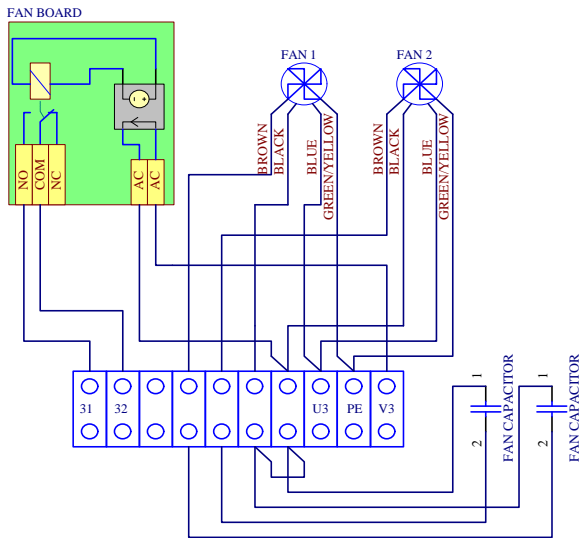
The part numbering system is reported at the beginning of the Open Assembly section.

Customisations are available on request. Please contact factory.

In the interest of product improvement Green Power Solutions reserves the right to change any specification given in this data sheet without notice.



61-62: THERMOSWITCH CIRCUIT CONNECTION
81-82: BLOWN FUSE SWITCH CIRCUIT CONNECTION



U3-V3: MAIN SUPPLY
PE: GROUND CONNECTION (GND)
31-32: FAN BOARD CONTACT (CLOSED WHEN FAN RUNNING)

Cooling:

Fan type: single phase axial
Number of fans: 2
Voltage: 230 V
Current: 0.4 A
Frequency: 50/60 Hz
Noise: 62 dBA

In the interest of product improvement Green Power Solutions reserves the right to change any specification given in this data sheet without notice.