



TAI-SAW TECHNOLOGY CO., LTD.

No. 3, Industrial 2nd Rd., Ping-Chen Industrial District,
Taoyuan, 324, Taiwan, R.O.C.

TEL: 886-3-4690038 FAX: 886-3-4697532

E-mail: tstsales@mail.taisaw.com Web: www.taisaw.com

Approval Sheet For Product Specification

Issued Date: February, 14, 2008

Product Name: SAW Filter 638MHz SMD 5*5 mm (**BW=11MHz**)

TST Parts No.: :TA0817A

Customer Parts No.: _____

| |
|---------------------|
| Company: _____ |
| Division: _____ |
| Approved by : _____ |
| Date: _____ |

Checked by: Paul Ni

Approval by: Francis Chen

Date: 2008/2/14



TAI-SAW TECHNOLOGY CO., LTD.

No. 3, Industrial 2nd Rd., Ping-Chen Industrial District,
Taoyuan, 324, Taiwan, R.O.C.

TEL: 886-3-4690038 FAX: 886-3-4697532

E-mail: tstsales@mail.taisaw.com Web: www.taisaw.com

SAW Filter 638 MHz

MODEL NO.: TA0817A

REV. NO : 1.0

A. MAXIMUM RATING:

1. Input Power Level: 10 dB_m
2. DC voltage: 5 V
3. Operating Temperature: -40°C to +85°C
4. Storage Temperature: -40°C to +85°C

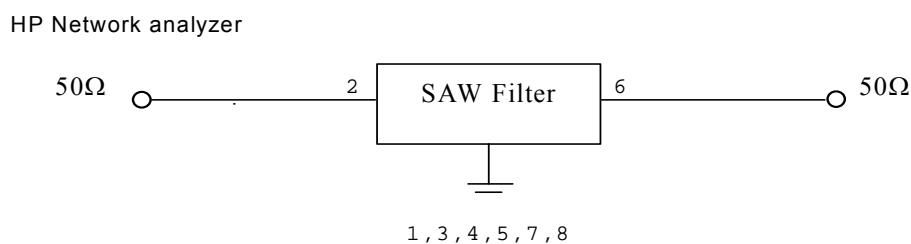
RoHS Compliant
Lead free
Lead-free soldering

B. ELECTRICAL CHARACTERISTICS:

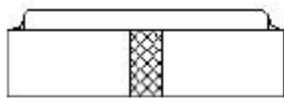
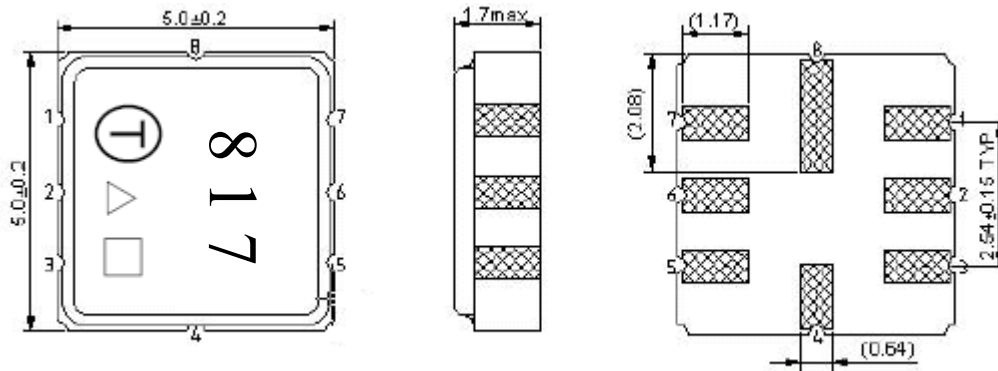
| Item | Unit | Min. | Typ. | Max. |
|--|--------|------|------|------|
| Center frequency Fo | MHz | - | 638 | - |
| Insertion loss at Fo IL | dB | - | 2.4 | 3.5 |
| 3 dB bandwidth | MHz | - | 11 | - |
| Ripple (636.5~639.5 MHz) | dB | - | 0.18 | 1.0 |
| Attenuation (Reference level from 0 dB) | | | | |
| 10 ~ 618 MHz | dB | 40 | 44.5 | - |
| 618 ~ 628 MHz | dB | 8 | 30.7 | - |
| 656 ~ 660 MHz | dB | 35 | 46.0 | - |
| 660 ~ 700 MHz | dB | 40 | 48.9 | - |
| Temperature Coefficient | Ppm/°C | - | -36 | - |
| Source impedance Z _S | (Ω) | - | 50 | - |
| Load impedance Z _L | (Ω) | - | 50 | - |

C. MEASUREMENT CIRCUIT:

50 Ohm Test circuit (single-ended / single-ended)



D.OUTLINE DRAWING:



| | | | | |
|-----------|------|------|----------|----------|
| Year | 2005 | 2006 | 2007 | 2008 |
| | 2009 | 2010 | 2011 | 2012 |
| Year Code | A | a | <u>A</u> | <u>a</u> |

#2: Input

#6: Output

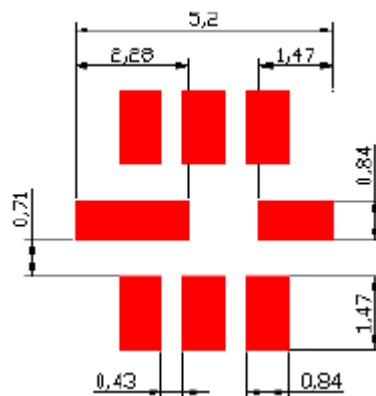
#1,3,4,5,7,8: Ground

△ : Year Code

□ : Date Code (Follow the table provided by planner each year.)

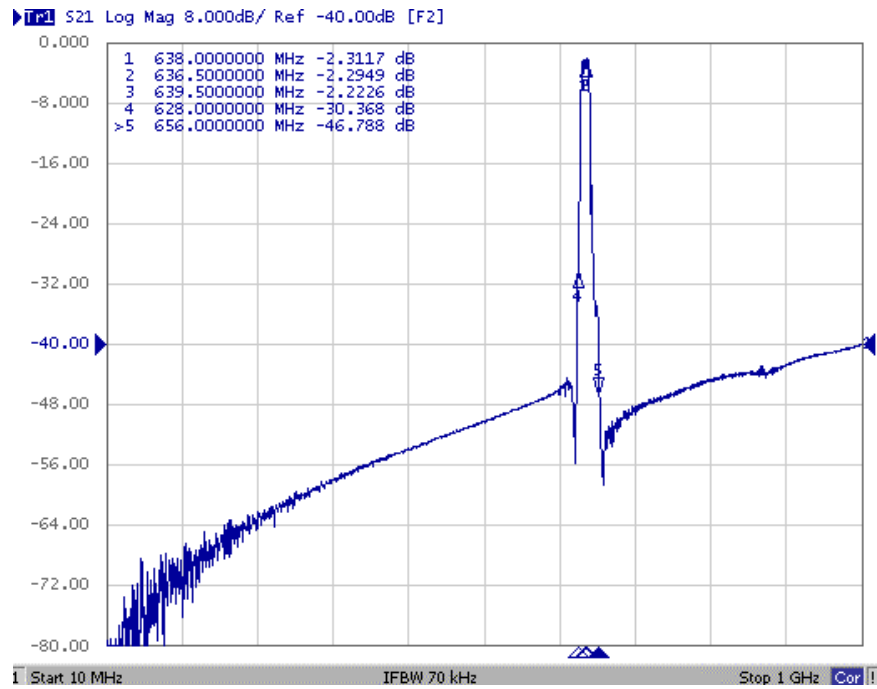
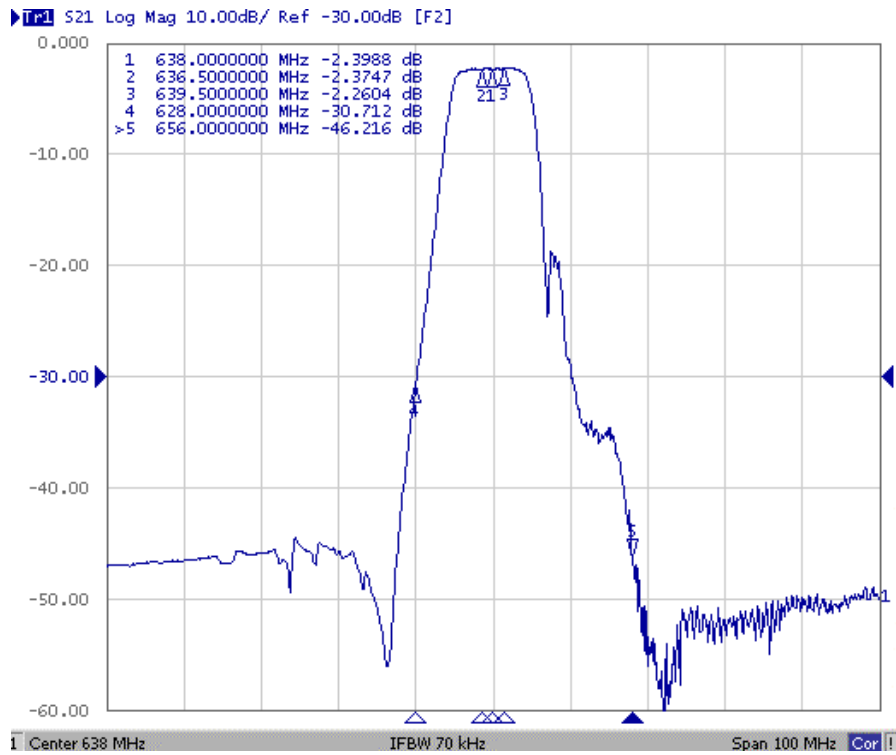
Unit: mm

E. PCB Footprint :



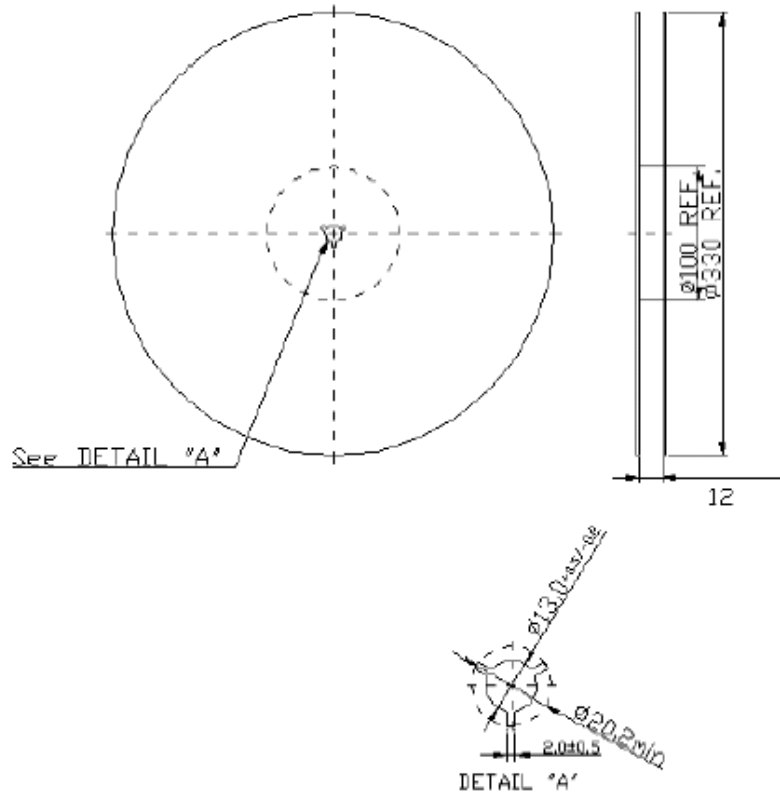
F. Frequency Characteristics :

Transfer function

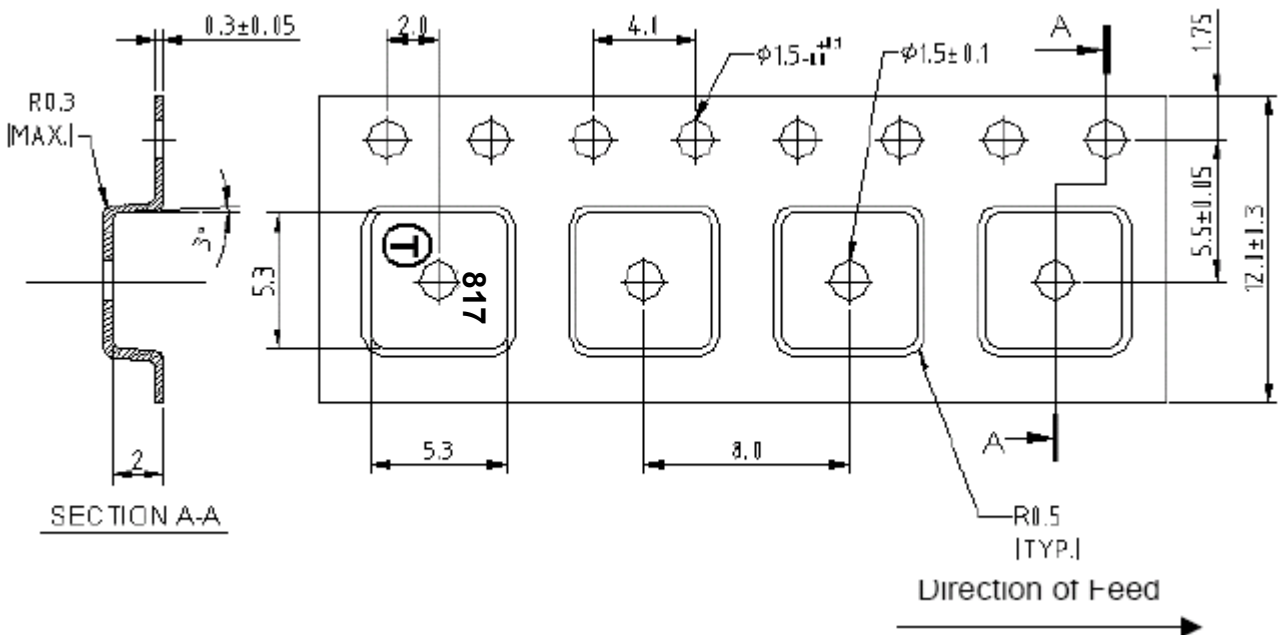


G. PACKING:

1. REEL DIMENSION



2. TAPE DIMENSION



H.RECOMMENDED REFLOW PROFILE:

