

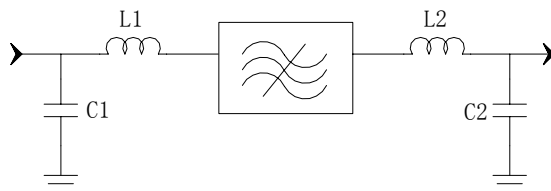
### Specifications

Parameter	Unit	Minimum	Typical	Maximum
Center Frequency	MHz	69.95	70	70.05
Insertion Loss	dB		26	27
3 dB Bandwidth	MHz	4.7	4.75	4.8
35 dB Bandwidth	MHz		5.47	5.55
45 dB Bandwidth	MHz		5.54	6.0
50 dB Bandwidth	MHz		5.57	6.75
Passband Variation	dB		0.8	1.2
Ultimate Rejection( $f_0 \pm 15\text{MHz}$ )	dB	55	60	
Absolute Delay	usec		3.9	4
Material Temperature coefficient	KHz/°C		-1.26	
Ambient Temperature	°C		25	
Package Size		DIP3512 (35.2x12.7x5.2mm <sup>3</sup> )		

#### Notes:

1. All specifications are based on the test circuit shown
2. In production, devices will be tested at room temperature to a guardbanded specification to ensure electrical compliance over temperature
3. Electrical margin has been built into the design to account for the variations due to temperature drift and manufacturing tolerances
4. This is the optimum impedance in order to achieve the performance show


### Matching Configuration



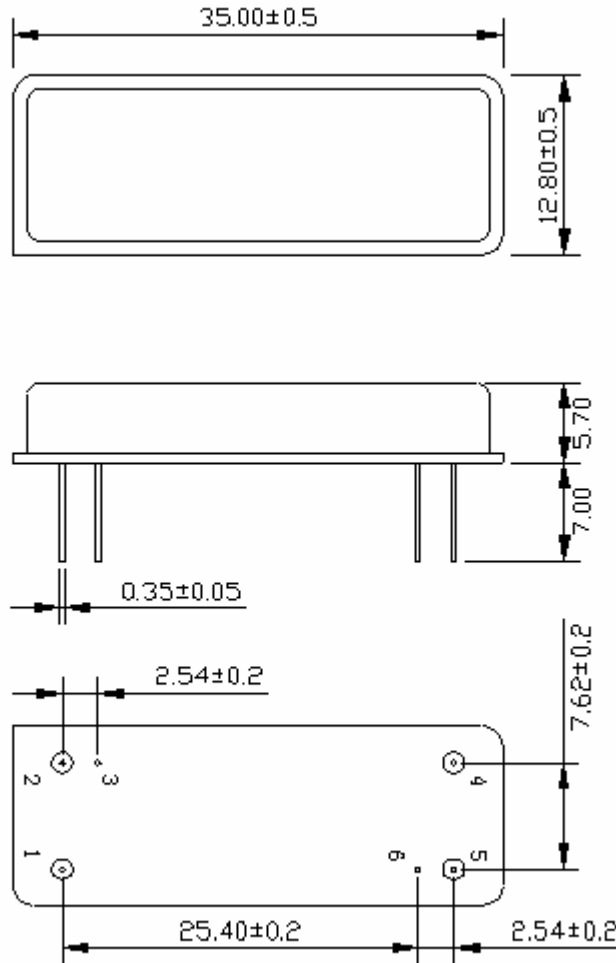
**L1=120nH    L2=120nH**  
**C1=82pF    C2=56pF**

**Source/Load Impedance=50 ohm**


Notes - Component values may change depending  
on board layout.

	<b>SIPAT Co., Ltd.</b> ( CETC No. 26 Research Institute ) Nanping Huayuan Road No. 14 Chongqing, China, 400060	Part Number	SP LBT70A01	
		Rev. Date	2005-7-22	
		Rev.	1.0	Page

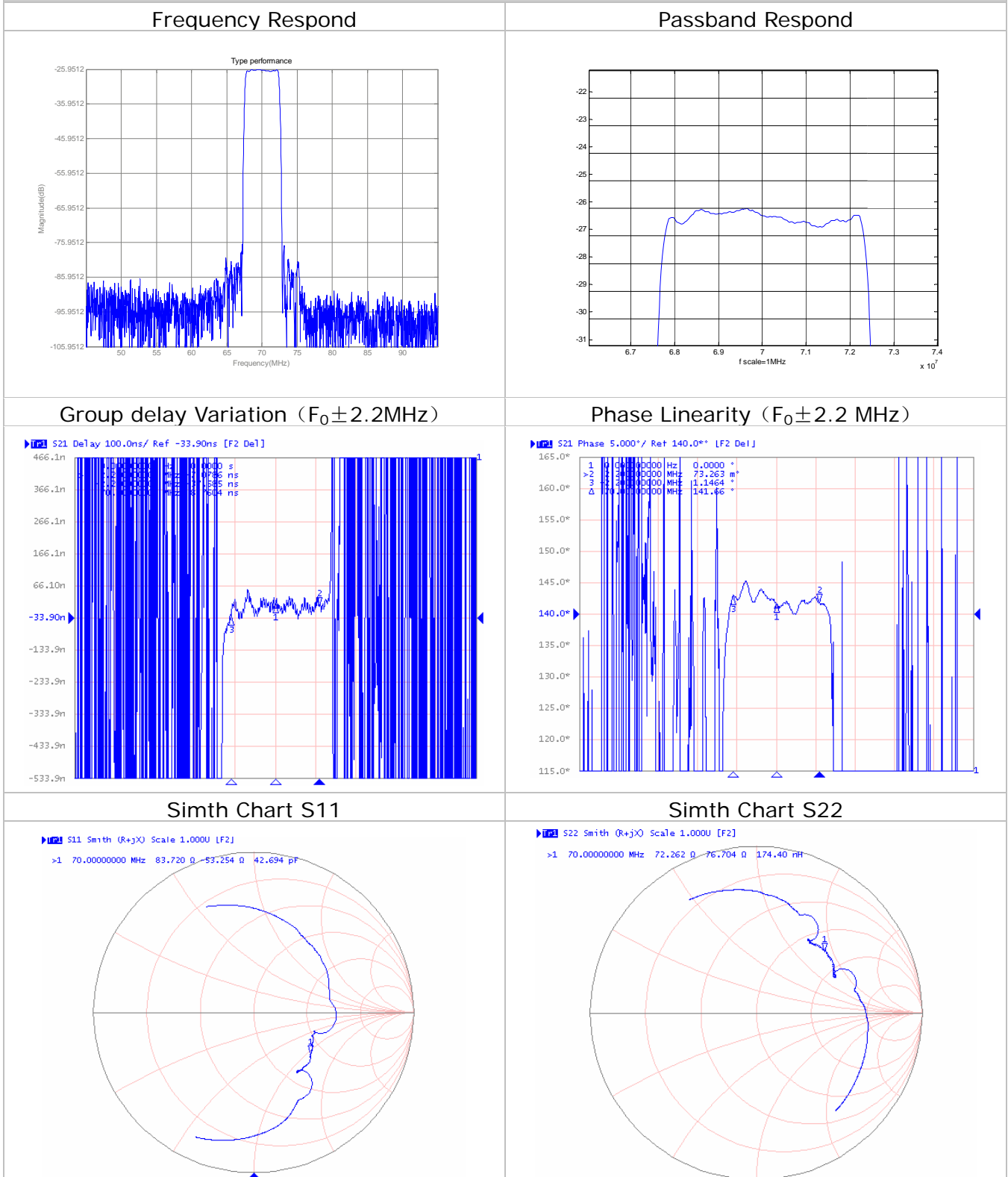
*Package Dimension*



**Input:1**  
**Output:5**

	<b>SIPAT Co., Ltd.</b> ( CETC No. 26 Research Institute ) Nanping Huayuan Road No. 14 Chongqing, China, 400060	Part Number	SP LBT70A01	
		Rev. Date	2005-7-22	
		Rev.	1.0	Page

*Typical Performance*



**SIPAT Co., Ltd.**  
( CETC No. 26 Research Institute )  
Nanping Huayuan Road No. 14  
Chongqing, China, 400060

Part Number	SP LBT70A01	
Rev. Date	2005-7-22	
Rev.	1.0	Page 3/3