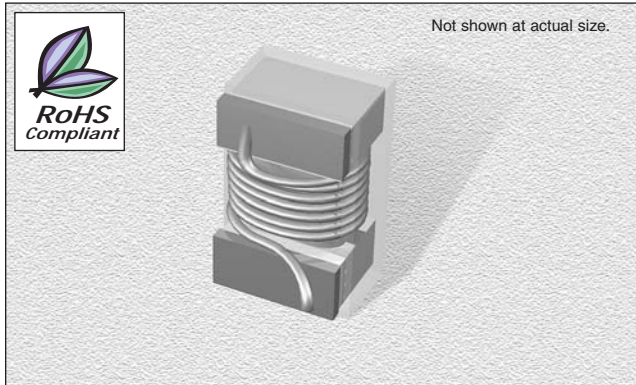


CT1008CSF Series

From 3.9 nH to 10,000 nH

ENGINEERING KIT #5F



CHARACTERISTICS

Description: SMD ceramic core wire-wound chip inductor

Applications: LC resonant circuits such as oscillator and signal generators, impedance matching, circuit isolation, RF filters, disk drives and computer peripherals, audio and video equipment, TV, radio and telecommunication equipment

Operating Temperature: -40°C to +125°C

Inductance Tolerance: ±2%, ±5%, ±10% & ±20%

Testing: Inductance and Q are tested on an HP4287A at specified frequency

Packaging: Tape & Reel

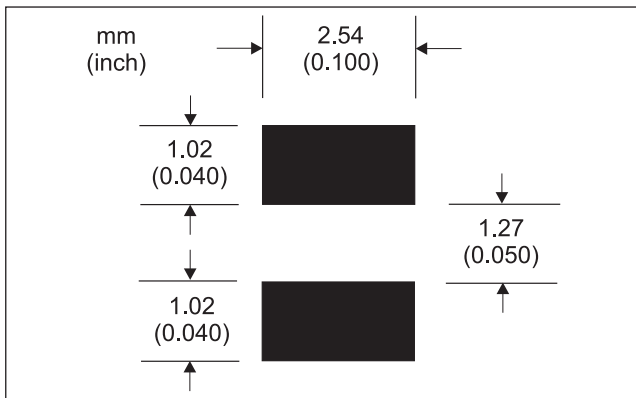
Marking: Reels are marked with inductance code and tolerance

Miscellaneous: RoHS Compliant. Parts are also available without a clear plastic cap. Other values available.

Additional Information: Additional electrical & physical information available upon request

Samples available. See website for ordering information.

PAD LAYOUT



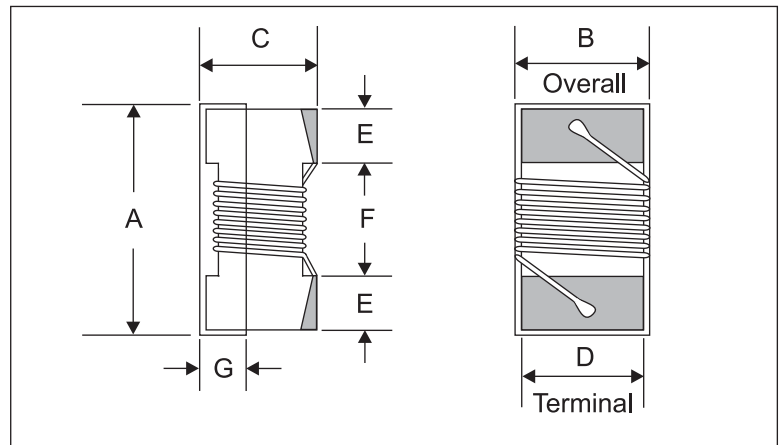
SPECIFICATIONS

Please specify tolerance code when ordering.
 CT1008CSF-330_ ← G = ±2%, J = ±5%, K = ±10%, M = ±20%
 * K or M only ** J, K or M only

Part Number	Inductance (nH)	L Test Freq. (MHz)	Q Fact. Min.	Q Test Freq. (MHz)	SRF Min. (MHz)	DCR Max. (Ω)	Rated DC (mA)
CT1008CSF-030_*	3.9	50	40	900	6000	.05	1100
CT1008CSF-040_*	4.7	50	50	1500	4100	.08	1000
CT1008CSF-080_*	8.2	50	40	1500	4200	.07	1000
CT1008CSF-100_**	10	50	50	500	4100	.08	1000
CT1008CSF-120_**	12	50	50	500	3300	.09	1000
CT1008CSF-150_**	15	50	50	500	2500	.10	1000
CT1008CSF-180_**	18	50	50	350	2500	.11	1000
CT1008CSF-220_**	22	50	55	350	2400	.12	1000
CT1008CSF-270_**	27	50	55	350	1600	.13	1000
CT1008CSF-330_	33	50	60	350	1600	.14	1000
CT1008CSF-390_	39	50	60	350	1500	.15	1000
CT1008CSF-470_	47	50	65	350	1500	.16	1000
CT1008CSF-560_	56	50	65	350	1300	.18	1000
CT1008CSF-680_	68	50	65	350	1300	.20	1000
CT1008CSF-820_	82	50	60	350	1000	.22	1000
CT1008CSF-101_	100	25	60	350	1000	.56	650
CT1008CSF-121_	120	25	60	350	950	.63	650
CT1008CSF-151_	150	25	45	100	850	.70	580
CT1008CSF-181_	180	25	45	100	750	.77	620
CT1008CSF-221_	220	25	45	100	700	.84	500
CT1008CSF-271_	270	25	45	100	600	.91	500
CT1008CSF-331_	330	25	45	100	570	1.1	450
CT1008CSF-391_	390	25	45	100	500	1.1	470
CT1008CSF-471_	470	25	45	100	450	1.2	400
CT1008CSF-561_	560	25	45	100	415	1.3	400
CT1008CSF-621_	620	25	45	100	375	1.4	300
CT1008CSF-681_	680	25	45	100	375	1.5	400
CT1008CSF-751_	750	25	45	100	360	1.5	360
CT1008CSF-821_	820	25	45	100	350	1.6	400
CT1008CSF-911_	910	25	35	50	320	1.7	380
CT1008CSF-102_	1000	25	35	50	290	1.8	370
CT1008CSF-122_	1200	7.9	35	50	250	2.0	310
CT1008CSF-152_	1500	7.9	28	50	200	2.3	330
CT1008CSF-182_	1800	7.9	28	50	160	2.6	300
CT1008CSF-222_	2200	7.9	28	50	160	2.8	280
CT1008CSF-272_	2700	7.9	22	25	140	3.2	290
CT1008CSF-332_	3300	7.9	22	25	110	3.4	290
CT1008CSF-392_	3900	7.9	20	25	100	3.6	260
CT1008CSF-472_	4700	7.9	20	25	90	4.0	260
CT1008CSF-562_	5600	7.9	20	7.9	55	7.0	200
CT1008CSF-682_	6800	7.9	20	7.9	45	8.0	180
CT1008CSF-822_	8200	7.9	20	7.9	35	9.5	150
CT1008CSF-103_	10000	7.9	20	7.9	25	12	100

PHYSICAL DIMENSIONS

Size	A Max.	B Max.	C Max.	D	E	F	G
mm	2.92	2.79	2.1	2.03	0.51	1.52	0.51
inches	0.12	0.11	0.08	0.08	0.02	0.06	0.02



01.04.07