

Series CNU009 Power Connectors for MicroTCA

Specifications

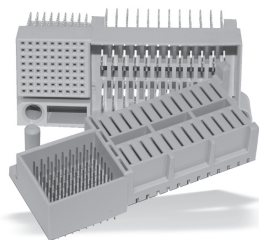
Insulation Resistance: 100MΩ initial
 Voltage : 80Vrms
 Current Carrying Capacity: 24 pins = 11.625A
 72 pins = 9.4A
 Operating Temp. Range: -55°C to +105°C

Materials

Insulator: Thermoplastic Polyester (UL94V-0), grey
 Contact: Copper Alloy

Features

- Design acc. to PICMG MicroTCA.0
- Press-fit termination



Part Number (Details)

CNU009 * - 096 - 1001

Series

Contact Styles

P = Male (right angle)

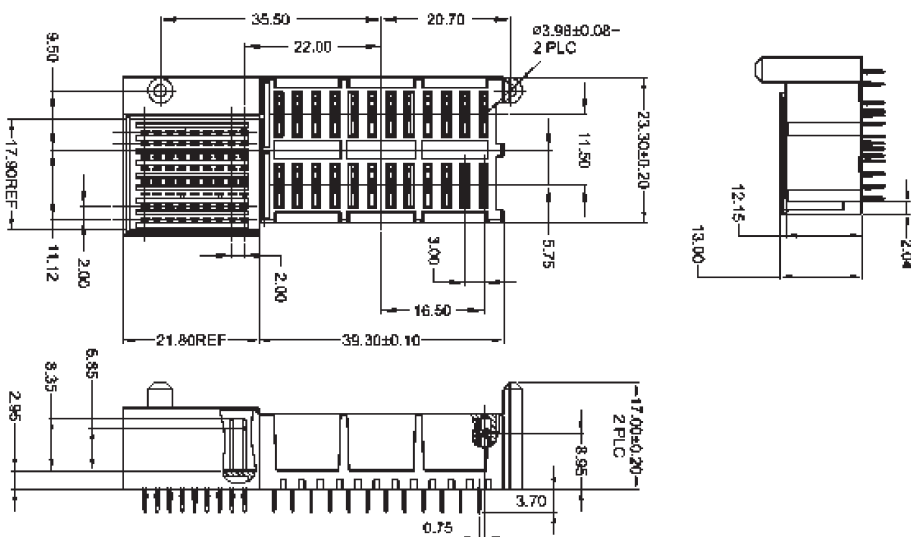
S = Female (vertical)

Pin Count

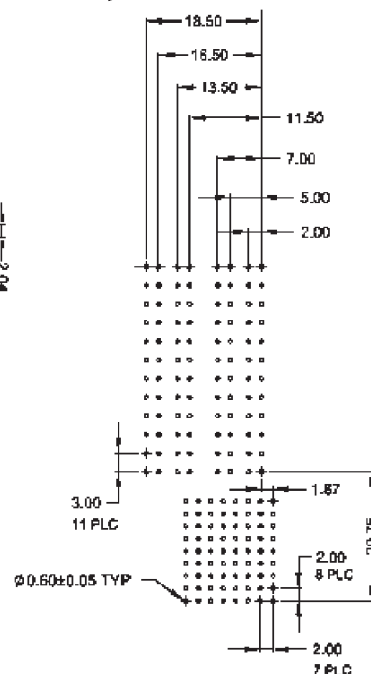
Plating : (Mating/Termination)

1: 30 μ" Au min. / Tin

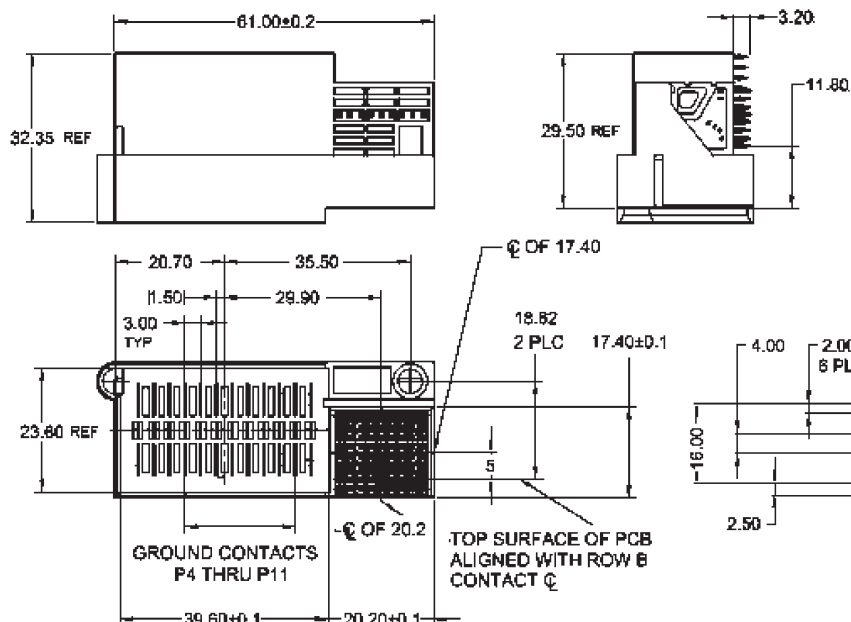
Outline Connector Dimensions CNU009S-096-1001



PCB Layout



Outline Connector Dimensions CNU009P-096-1001



PCB Layout

