

FEATURES

- 14-bit resolution with no missing codes
- 8-channel multiplexer with choice of inputs
 - Unipolar single-ended
 - Differential (GND sense)
 - Pseudobipolar
- Throughput: 250 kSPS
- INL/DNL: $\pm 0.5/\pm 0.25$ LSB typical
- SINAD: 85 dB @ 20 kHz
- THD: -100 dB @ 20 kHz
- Analog input range: 0 V to V_{REF} with V_{REF} up to VDD
- Multiple reference types
 - Internal selectable 2.5 V or 4.096 V
 - External buffered (up to 4.096 V)
 - External (up to VDD)
- Internal temperature sensor (TEMP)
- Channel sequencer, selectable 1-pole filter, busy indicator
- No pipeline delay, SAR architecture
- Single-supply 2.3 V to 5.5 V operation with
 - 1.8 V to 5.5 V logic interface
- Serial interface compatible with SPI, MICROWIRE, QSPI, and DSP
- Power dissipation
 - 2.9 mW @ 2.5 V/200 kSPS
 - 10.8 mW @ 5 V/250 kSPS
- Standby current: 50 nA
- 20-lead 4 mm × 4 mm LFCSP package

APPLICATIONS

- Multichannel system monitoring
- Battery-powered equipment
- Medical instruments: ECG/EKG
- Mobile communications: GPS
- Power line monitoring
- Data acquisition
- Seismic data acquisition systems
- Instrumentation
- Process control

FUNCTIONAL BLOCK DIAGRAM

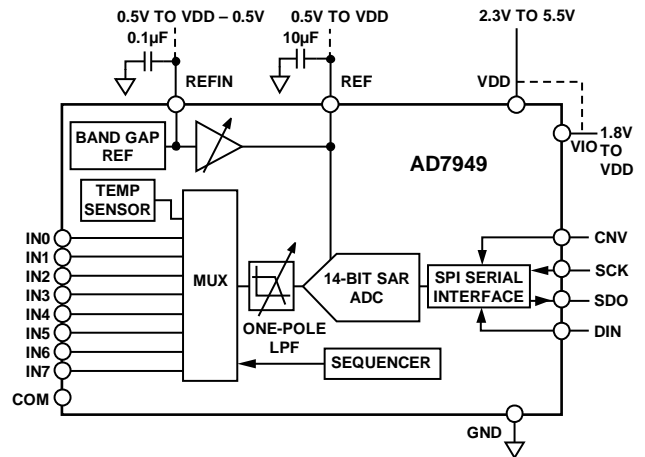


Figure 1.

Table 1. Multichannel 14-/16-Bit PuISAR® ADCs

| Type | Channels | 250 kSPS | 500 kSPS | ADC Driver |
|--------|----------|----------|----------|------------|
| 14-Bit | 8 | AD7949 | | ADA4841-x |
| 16-Bit | 4 | AD7682 | | ADA4841-x |
| 16-Bit | 8 | AD7689 | AD7699 | ADA4841-x |

GENERAL DESCRIPTION

The AD7949 is an 8-channel, 14-bit, charge redistribution successive approximation register (SAR) analog-to-digital converter (ADC) that operates from a single power supply, VDD.

The AD7949 contains all components for use in a multichannel, low power data acquisition system, including a true 14-bit SAR ADC with no missing codes; an 8-channel, low crosstalk multiplexer that is useful for configuring the inputs as single-ended (with or without ground sense), differential, or bipolar; an internal low drift reference (selectable 2.5 V or 4.096 V) and buffer; a temperature sensor; a selectable one-pole filter; and a sequencer that is useful when channels are continuously scanned in order.

The AD7949 uses a simple SPI interface for writing to the configuration register and receiving conversion results. The SPI interface uses a separate supply, VIO, which is set to the host logic level. Power dissipation scales with throughput.

The AD7949 is housed in a tiny 20-lead LFCSP with operation specified from -40°C to $+85^{\circ}\text{C}$.

Rev. B

Information furnished by Analog Devices is believed to be accurate and reliable. However, no responsibility is assumed by Analog Devices for its use, nor for any infringements of patents or other rights of third parties that may result from its use. Specifications subject to change without notice. No license is granted by implication or otherwise under any patent or patent rights of Analog Devices. Trademarks and registered trademarks are the property of their respective owners.

TABLE OF CONTENTS

| | |
|--|----|
| Features | 1 |
| Applications..... | 1 |
| Functional Block Diagram | 1 |
| General Description | 1 |
| Revision History | 2 |
| Specifications..... | 3 |
| Timing Specifications | 5 |
| Absolute Maximum Ratings..... | 7 |
| ESD Caution..... | 7 |
| Pin Configuration and Function Descriptions..... | 8 |
| Typical Performance Characteristics | 9 |
| Terminology | 12 |
| Theory of Operation | 13 |
| Overview..... | 13 |
| Converter Operation..... | 13 |
| Transfer Functions..... | 14 |
| Typical Connection Diagrams..... | 15 |
| Analog Inputs..... | 16 |
| Driver Amplifier Choice..... | 18 |

REVISION HISTORY

5/09—Rev. A to Rev. B

| | |
|--|----|
| Changes to Features Section, Applications Section, and Figure 1 | 1 |
| Changes to Specifications Section | 3 |
| Changes to Timing Specifications Section | 5 |
| Changes to Table 5..... | 7 |
| Changes to Figure 4 and Table 6..... | 8 |
| Changes to Figure 20..... | 11 |
| Changes to Converter Operation Section | 13 |
| Changes to Table 7..... | 14 |
| Changes to Figure 25 and Figure 26..... | 15 |
| Changes to Bipolar Single Supply Section, Input Structure Section, and Selectable Low-Pass Filter Section..... | 16 |
| Changes to Input Configurations Section, Sequencer Section, and Source Resistance Section..... | 17 |
| Changes to Internal Reference/Temperature Sensor Section ... | 18 |
| Added Figure 30; Renumbered Sequentially | 18 |
| Changes to External Reference and Internal Buffer Section, External Reference Section, and Reference Decoupling Section..... | 19 |
| Added Figure 31 and Figure 32..... | 19 |
| Changes to Power Supply Section | 20 |

| | |
|---|----|
| Voltage Reference Output/Input | 18 |
| Power Supply..... | 20 |
| Supplying the ADC from the Reference..... | 20 |
| Digital Interface | 21 |
| Reading/Writing During Conversion, Fast Hosts..... | 21 |
| Reading/Writing After Conversion, Any Speed Hosts..... | 21 |
| Reading/Writing Spanning Conversion, Any Speed Host.... | 21 |
| Configuration Register, CFG | 21 |
| General Timing Without a Busy Indicator | 23 |
| General Timing with a Busy Indicator | 24 |
| Channel Sequencer | 25 |
| Read/Write Spanning Conversion Without a Busy Indicator | 26 |
| Read/Write Spanning Conversion with a Busy Indicator.... | 27 |
| Application Hints | 28 |
| Layout | 28 |
| Evaluating AD7949 Performance..... | 28 |
| Outline Dimensions | 29 |
| Ordering Guide | 29 |

| | |
|---|----|
| Changed Reading/Writing During Conversion, Fast Hosts Section to Reading/Writing After Conversion, Any Speed Hosts..... | 21 |
| Changes to Configuration Register, CFG Section and Table 9 | 22 |
| Added General Timing Without a Busy Indicator Section and Figure 36 | 23 |
| Added General Timing with a Busy Indicator Section and Figure 37 | 24 |
| Added Channel Sequencer Section, Examples Section, and Figure 38 | 25 |
| Changes to Read/Write Spanning Conversion Without a Busy Indicator Section and Figure 40 | 26 |
| Changes to Read/Write Spanning Conversion with a Busy Indicator Section and Figure 42 | 27 |
| Changes to Evaluating AD7949 Performance Section | 28 |
| Added Exposed Pad Notation to Outline Dimensions | 29 |
| Changes to Ordering Guide | 29 |

5/08—Rev. 0 to Rev. A

| | |
|---------------------------------|----|
| Changes to Ordering Guide | 26 |
|---------------------------------|----|

5/08—Revision 0: Initial Version

SPECIFICATIONS

VDD = 2.3 V to 5.5 V, VIO = 1.8 V to VDD, VREF = VDD, all specifications T_{MIN} to T_{MAX}, unless otherwise noted.

Table 2.

| Parameter | Conditions/Comments | Min | Typ | Max | Unit |
|--------------------------------|---|---------------------------|---------------------|---------------------------|------------------|
| RESOLUTION | | 14 | | | Bits |
| ANALOG INPUT | | | | | |
| Voltage Range | Unipolar mode | 0 | | +V _{REF} | V |
| | Bipolar mode | −V _{REF} /2 | | +V _{REF} /2 | V |
| Absolute Input Voltage | Positive input, unipolar and bipolar modes | −0.1 | | V _{REF} + 0.1 | V |
| | Negative or COM input, unipolar mode | −0.1 | | +0.1 | V |
| | Negative or COM input, bipolar mode | V _{REF} /2 − 0.1 | V _{REF} /2 | V _{REF} /2 + 0.1 | V |
| Analog Input CMRR | f _{IN} = 250 kHz | | 68 | | dB |
| Leakage Current at 25°C | Acquisition phase | | 1 | | nA |
| Input Impedance ¹ | | | | | nA |
| THROUGHPUT | | | | | |
| Conversion Rate | | | | | |
| Full Bandwidth ² | VDD = 4.5 V to 5.5 V | 0 | | 250 | kSPS |
| | VDD = 2.3 V to 4.5 V | 0 | | 200 | kSPS |
| ¼ Bandwidth ² | VDD = 4.5 V to 5.5 V | 0 | | 62.5 | kSPS |
| | VDD = 2.3 V to 4.5 V | 0 | | 50 | kSPS |
| Transient Response | Full-scale step, full bandwidth | | | 1.8 | µs |
| | Full-scale step, ¼ bandwidth | | | 14.5 | µs |
| ACCURACY | | | | | |
| No Missing Codes | | 14 | | | Bits |
| Integral Linearity Error | | −1 | ±0.5 | +1 | LSB ³ |
| Differential Linearity Error | | −1 | ±0.25 | +1 | LSB |
| Transition Noise | REF = VDD = 5 V | | 0.1 | | LSB |
| Gain Error ⁴ | | −5 | ±0.5 | +5 | LSB |
| Gain Error Match | | −1 | ±0.2 | +1 | LSB |
| Gain Error Temperature Drift | | | ±1 | | ppm/°C |
| Offset Error ⁴ | | | ±0.5 | | LSB |
| Offset Error Match | | −1 | ±0.2 | +1 | LSB |
| Offset Error Temperature Drift | | | ±1 | | ppm/°C |
| Power Supply Sensitivity | VDD = 5 V ± 5% | | ±0.2 | | LSB |
| AC ACCURACY ⁵ | | | | | |
| Dynamic Range | | | 85.6 | | dB ⁶ |
| Signal-to-Noise | f _{IN} = 20 kHz, V _{REF} = 5 V | 84.5 | 85.5 | | dB |
| | f _{IN} = 20 kHz, V _{REF} = 4.096 V internal REF | | 85 | | dB |
| | f _{IN} = 20 kHz, V _{REF} = 2.5 V internal REF | | 84 | | dB |
| SINAD | f _{IN} = 20 kHz, V _{REF} = 5 V | 84 | 85 | | dB |
| | f _{IN} = 20 kHz, V _{REF} = 5 V, −60 dB input | | 33.5 | | dB |
| | f _{IN} = 20 kHz, V _{REF} = 4.096 V internal REF | | 85 | | dB |
| | f _{IN} = 20 kHz, V _{REF} = 2.5 V internal REF | | 84 | | dB |
| Total Harmonic Distortion | f _{IN} = 20 kHz | | −100 | | dB |
| Spurious-Free Dynamic Range | f _{IN} = 20 kHz | | 108 | | dB |
| Channel-to-Channel Crosstalk | f _{IN} = 100 kHz on adjacent channel(s) | | −125 | | dB |
| SAMPLING DYNAMICS | | | | | |
| −3 dB Input Bandwidth | Full bandwidth | | 1.7 | | MHz |
| | ¼ bandwidth | | 0.425 | | MHz |
| Aperture Delay | VDD = 5 V | | 2.5 | | ns |

AD7949

| Parameter | Conditions/Comments | Min | Typ | Max | Unit |
|---------------------------------------|--|-----------------------|-------|------------------------|--------|
| INTERNAL REFERENCE | | | | | |
| REF Output Voltage | 2.5 V, @ 25°C | 2.490 | 2.500 | 2.510 | V |
| | 4.096 V, @ 25°C | 4.086 | 4.096 | 4.106 | V |
| REFIN Output Voltage ⁷ | 2.5 V, @ 25°C | | 1.2 | | V |
| | 4.096 V, @ 25°C | | 2.3 | | V |
| REF Output Current | | | ±300 | | μA |
| Temperature Drift | | | ±10 | | ppm/°C |
| Line Regulation | VDD = 5 V ± 5% | | ±15 | | ppm/V |
| Long-Term Drift | 1000 hours | | 50 | | ppm |
| Turn-On Settling Time | CREF = 10 μF | | 5 | | ms |
| EXTERNAL REFERENCE | | | | | |
| Voltage Range | REF input | 0.5 | | VDD + 0.3 | V |
| | REFIN input (buffered) | 0.5 | | VDD – 0.5 | V |
| Current Drain | 250 kSPS, REF = 5 V | | 50 | | μA |
| TEMPERATURE SENSOR | | | | | |
| Output Voltage ⁸ | @ 25°C | | 283 | | mV |
| Temperature Sensitivity | | | 1 | | mV/°C |
| DIGITAL INPUTS | | | | | |
| Logic Levels | | | | | |
| V _{IL} | | –0.3 | | +0.3 × V _{IO} | V |
| V _{IH} | | 0.7 × V _{IO} | | V _{IO} + 0.3 | V |
| I _{IL} | | –1 | | +1 | μA |
| I _{IH} | | –1 | | +1 | μA |
| DIGITAL OUTPUTS | | | | | |
| Data Format ⁹ | | | | | |
| Pipeline Delay ¹⁰ | | | | | |
| V _{OL} | I _{SINK} = +500 μA | | | 0.4 | V |
| V _{OH} | I _{SOURCE} = –500 μA | V _{IO} – 0.3 | | | V |
| POWER SUPPLIES | | | | | |
| VDD | Specified performance | 2.3 | | 5.5 | V |
| V _{IO} | Specified performance | 2.3 | | VDD + 0.3 | V |
| | Operating range | 1.8 | | VDD + 0.3 | V |
| Standby Current ^{11, 12} | VDD and V _{IO} = 5 V, @ 25°C | | 50 | | nA |
| Power Dissipation | VDD = 2.5 V, 100 SPS throughput | | 1.5 | | μW |
| | VDD = 2.5 V, 100 kSPS throughput | | 1.45 | 2.0 | mW |
| | VDD = 2.5 V, 200 kSPS throughput | | 2.9 | 4.0 | mW |
| | VDD = 5 V, 250 kSPS throughput | | 10.8 | 12.5 | mW |
| | VDD = 5 V, 250 kSPS throughput with internal reference | | 13.5 | 15.5 | mW |
| Energy per Conversion | | | 50 | | nJ |
| TEMPERATURE RANGE¹³ | | | | | |
| Specified Performance | T _{MIN} to T _{MAX} | –40 | | +85 | °C |

¹ See the Analog Inputs section.

² The bandwidth is set in the configuration register.

³ LSB means least significant bit. With the 5 V input range, one LSB = 305 μV.

⁴ See the Terminology section. These specifications include full temperature range variation but not the error contribution from the external reference.

⁵ With VDD = 5 V, unless otherwise noted.

⁶ All specifications expressed in decibels are referred to a full-scale input FSR and tested with an input signal at 0.5 dB below full scale, unless otherwise specified.

⁷ This is the output from the internal band gap.

⁸ The output voltage is internal and present on a dedicated multiplexer input.

⁹ Unipolar mode: serial 14-bit straight binary.

Bipolar mode: serial 14-bit twos complement.

¹⁰ Conversion results available immediately after completed conversion.

¹¹ With all digital inputs forced to V_{IO} or GND as required.

¹² During acquisition phase.

¹³ Contact an Analog Devices, Inc., sales representative for the extended temperature range.

TIMING SPECIFICATIONS

VDD = 4.5 V to 5.5 V, VIO = 1.8 V to VDD, all specifications T_{MIN} to T_{MAX}, unless otherwise noted.

Table 3.

| Parameter ¹ | Symbol | Min | Typ | Max | Unit |
|---|--------------------|-----------------------|-----|-----|------|
| Conversion Time: CNV Rising Edge to Data Available | t _{CONV} | | | 2.2 | μs |
| Acquisition Time | t _{ACQ} | 1.8 | | | μs |
| Time Between Conversions | t _{CYC} | 4.0 | | | μs |
| Data Write/Read During Conversion | t _{DATA} | | | 1.0 | μs |
| CNV Pulse Width | t _{CNVH} | 10 | | | ns |
| SCK Period | t _{SCK} | t _{DSDO} + 2 | | | ns |
| SCK Low Time | t _{SCKL} | 11 | | | ns |
| SCK High Time | t _{SCKH} | 11 | | | ns |
| SCK Falling Edge to Data Remains Valid | t _{HSDO} | 4 | | | ns |
| SCK Falling Edge to Data Valid Delay | t _{DSDO} | | | | |
| VIO Above 2.7 V | | | | 18 | ns |
| VIO Above 2.3 V | | | | 23 | ns |
| VIO Above 1.8 V | | | | 28 | ns |
| CNV Low to SDO D15 MSB Valid | t _{EN} | | | | |
| VIO Above 2.7 V | | | | 18 | ns |
| VIO Above 2.3 V | | | | 22 | ns |
| VIO Above 1.8 V | | | | 25 | ns |
| CNV High or Last SCK Falling Edge to SDO High Impedance | t _{DIS} | | | 32 | ns |
| CNV Low to SCK Rising Edge | t _{CLSCK} | 10 | | | ns |
| DIN Valid Setup Time from SCK Rising Edge | t _{SDIN} | 5 | | | ns |
| DIN Valid Hold Time from SCK Rising Edge | t _{HDIN} | 5 | | | ns |

¹ See Figure 2 and Figure 3 for load conditions.

AD7949

VDD = 2.3 V to 4.5 V, VIO = 1.8 V to VDD, all specifications T_{MIN} to T_{MAX}, unless otherwise noted.

Table 4.

| Parameter ¹ | Symbol | Min | Typ | Max | Unit |
|---|--------------------|-----------------------|-----|-----|------|
| Conversion Time: CNV Rising Edge to Data Available | t _{CONV} | | | 3.2 | μs |
| Acquisition Time | t _{ACQ} | 1.8 | | | μs |
| Time Between Conversions | t _{CYC} | 5 | | | μs |
| Data Write/Read During Conversion | t _{DATA} | | | 1.2 | μs |
| CNV Pulse Width | t _{CNVH} | 10 | | | ns |
| SCK Period | t _{SCK} | t _{DSDO} + 2 | | | ns |
| SCK Low Time | t _{SCKL} | 12 | | | ns |
| SCK High Time | t _{SCKH} | 12 | | | ns |
| SCK Falling Edge to Data Remains Valid | t _{HSDO} | 5 | | | ns |
| SCK Falling Edge to Data Valid Delay | t _{DSDO} | | | | |
| VIO Above 3 V | | | | 24 | ns |
| VIO Above 2.7 V | | | | 30 | ns |
| VIO Above 2.3 V | | | | 38 | ns |
| VIO Above 1.8 V | | | | 48 | ns |
| CNV Low to SDO D15 MSB Valid | t _{EN} | | | | |
| VIO Above 3 V | | | | 21 | ns |
| VIO Above 2.7 V | | | | 27 | ns |
| VIO Above 2.3 V | | | | 35 | ns |
| VIO Above 1.8 V | | | | 45 | ns |
| CNV High or Last SCK Falling Edge to SDO High Impedance | t _{DIS} | | | 50 | ns |
| CNV Low to SCK Rising Edge | t _{CLSCK} | 10 | | | ns |
| DIN Valid Setup Time from SCK Rising Edge | t _{SDIN} | 5 | | | ns |
| DIN Valid Hold Time from SCK Rising Edge | t _{HDIN} | 5 | | | ns |

¹ See Figure 2 and Figure 3 for load conditions.

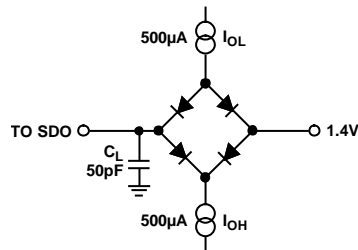
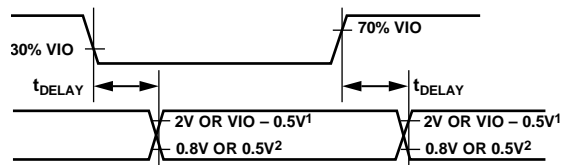


Figure 2. Load Circuit for Digital Interface Timing



¹ 2V IF VIO ABOVE 2.5V, VIO - 0.5V IF VIO BELOW 2.5V.

² 0.8V IF VIO ABOVE 2.5V, 0.5V IF VIO BELOW 2.5V.

Figure 3. Voltage Levels for Timing

ABSOLUTE MAXIMUM RATINGS

Table 5.

| Parameter | Rating |
|--|---|
| Analog Inputs IN _x , ¹ COM ¹ | GND – 0.3 V to VDD + 0.3 V or VDD ± 130 mA |
| REF, REFIN | GND – 0.3 V to VDD + 0.3 V |
| Supply Voltages | |
| VDD, VIO to GND | –0.3 V to +7 V |
| VIO to VDD | –0.3 V to VDD + 0.3 V |
| DIN, CNV, SCK to GND | –0.3 V to VIO + 0.3 V |
| SDO to GND | –0.3 V to VIO + 0.3 V |
| Storage Temperature Range | –65°C to +150°C |
| Junction Temperature | 150°C |
| θ _{JA} Thermal Impedance (LFCSP) | 47.6°C/W |
| θ _{JC} Thermal Impedance (LFCSP) | 4.4°C/W |

¹ See the Analog Inputs section.

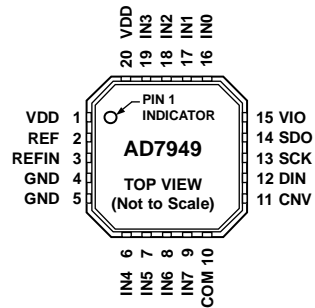
Stresses above those listed under Absolute Maximum Ratings may cause permanent damage to the device. This is a stress rating only; functional operation of the device at these or any other conditions above those indicated in the operational section of this specification is not implied. Exposure to absolute maximum rating conditions for extended periods may affect device reliability.

ESD CAUTION



ESD (electrostatic discharge) sensitive device. Charged devices and circuit boards can discharge without detection. Although this product features patented or proprietary protection circuitry, damage may occur on devices subjected to high energy ESD. Therefore, proper ESD precautions should be taken to avoid performance degradation or loss of functionality.

PIN CONFIGURATION AND FUNCTION DESCRIPTIONS



NOTES

1. THE EXPOSED PAD IS NOT CONNECTED INTERNALLY. FOR INCREASED RELIABILITY OF THE SOLDER JOINTS, IT IS RECOMMENDED THAT THE PAD BE SOLDERED TO THE SYSTEM GROUND PLANE.

07351-004

Figure 4. Pin Configuration

Table 6. Pin Function Descriptions

| Pin No. | Mnemonic | Type ¹ | Description |
|-----------|--------------------|-------------------|---|
| 1, 20 | VDD | P | Power Supply. Nominally 2.5 V to 5.5 V when using an external reference and decoupled with 10 μ F and 100 nF capacitors. |
| 2 | REF | AI/O | Reference Input/Output. See the Voltage Reference Output/Input section. When the internal reference is enabled, this pin produces a selectable system reference = 2.5 V or 4.096 V. When the internal reference is disabled and the buffer is enabled, REF produces a buffered version of the voltage present on the REFIN pin (4.096 V maximum), useful when using low cost, low power references. |
| 3 | REFIN | AI/O | Internal Reference Output/Reference Buffer Input. See the Voltage Reference Output/Input section. When using the internal reference, the internal unbuffered reference voltage is present and needs decoupling with a 0.1 μ F capacitor. When using the internal reference buffer, apply a source between 0.5 V and 4.096 V that is buffered to the REF pin as described above. |
| 4, 5 | GND | P | Power Supply Ground. |
| 6 to 9 | IN4 to IN7 | AI | Channel 4 through Channel 7 Analog Inputs. |
| 10 | COM | AI | Common Channel Input. All input channels, IN[7:0], can be referenced to a common-mode point of 0 V or $V_{REF}/2$ V. |
| 11 | CNV | DI | Convert Input. On the rising edge, CNV initiates the conversion. During conversion, if CNV is held high, the busy indicator is enabled. |
| 12 | DIN | DI | Data Input. This input is used for writing to the 14-bit configuration register. The configuration register can be written to during and after conversion. |
| 13 | SCK | DI | Serial Data Clock Input. This input is used to clock out the data on SDO and clock in data on DIN in an MSB first fashion. |
| 14 | SDO | DO | Serial Data Output. The conversion result is output on this pin, synchronized to SCK. In unipolar modes, conversion results are straight binary; in bipolar modes, conversion results are twos complement. |
| 15 | VIO | P | Input/Output Interface Digital Power. Nominally at the same supply as the host interface (1.8 V, 2.5 V, 3 V, or 5 V). |
| 16 to 19 | IN0 to IN3 | AI | Channel 0 through Channel 3 Analog Inputs. |
| 21 (EPAD) | Exposed Pad (EPAD) | NC | The exposed pad is not connected internally. For increased reliability of the solder joints, it is recommended that the pad be soldered to the system ground plane. |

¹AI = analog input, AI/O = analog input/output, DI = digital input, DO = digital output, and P = power.

TYPICAL PERFORMANCE CHARACTERISTICS

VDD = 2.5 V to 5.5 V, VREF = 2.5 V to 5 V, VIO = 2.3 V to VDD, unless otherwise noted..

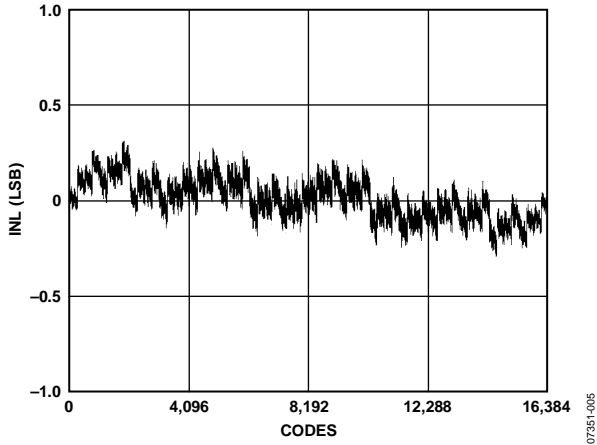


Figure 5. Integral Nonlinearity vs. Code, VREF = VDD = 5 V

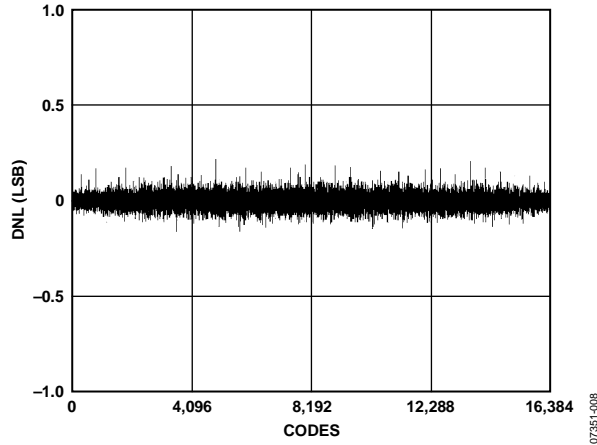


Figure 8. Differential Nonlinearity vs. Code, VREF = VDD = 5 V

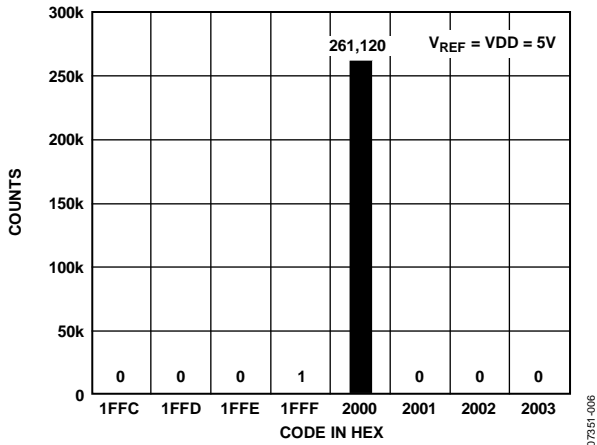


Figure 6. Histogram of a DC Input at Code Center

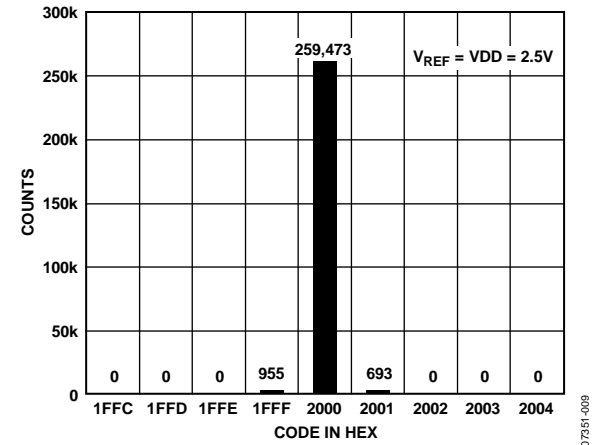


Figure 9. Histogram of a DC Input at Code Center

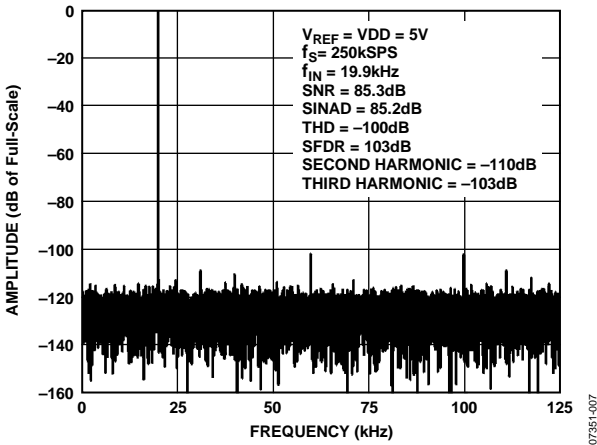


Figure 7. 20 kHz FFT, VREF = VDD = 5 V

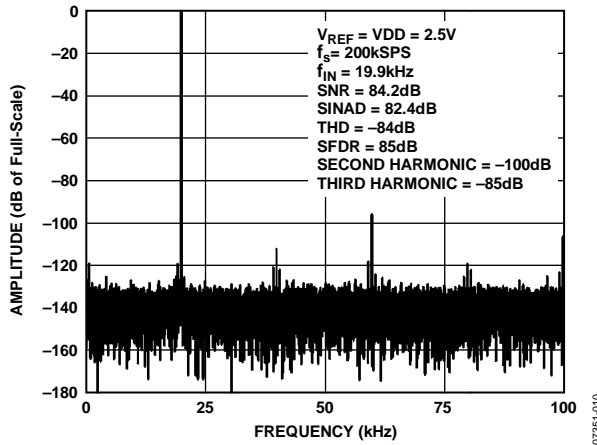


Figure 10. 20 kHz FFT, VREF = VDD = 2.5 V

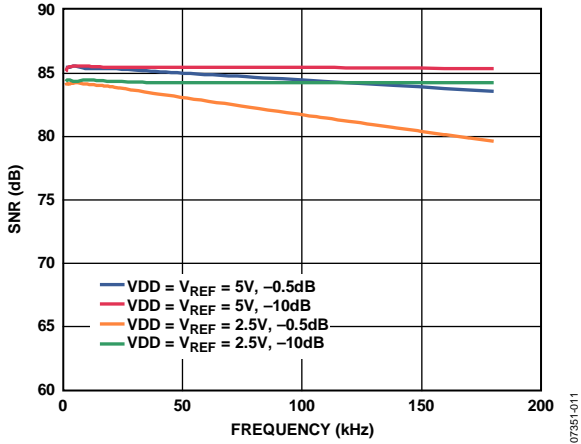


Figure 11. SNR vs. Frequency

07351-011

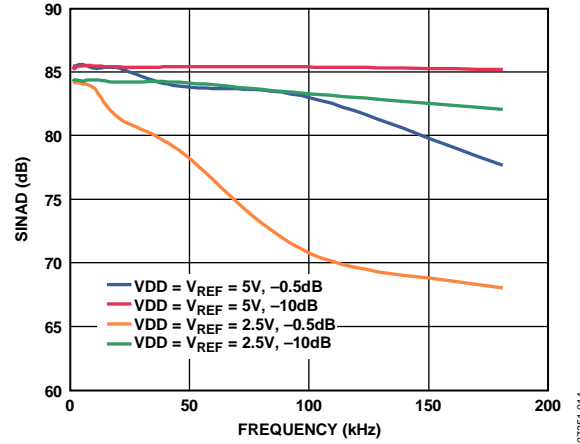


Figure 14. SINAD vs. Frequency

07351-014

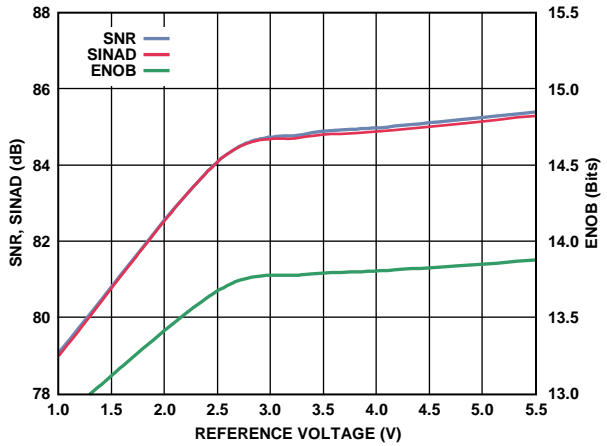


Figure 12. SNR, SINAD, and ENOB vs. Reference Voltage

07351-012

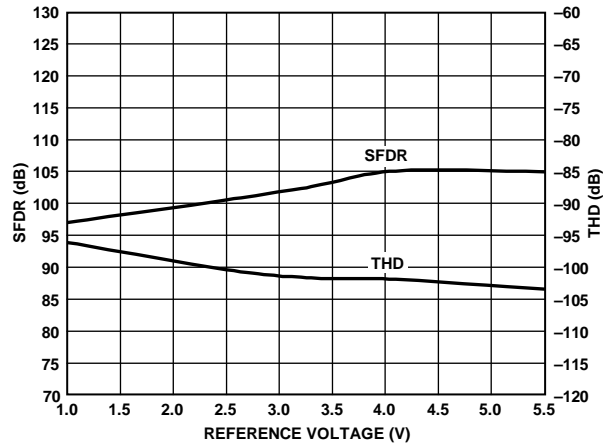


Figure 15. SFDR and THD vs. Reference Voltage

07351-015

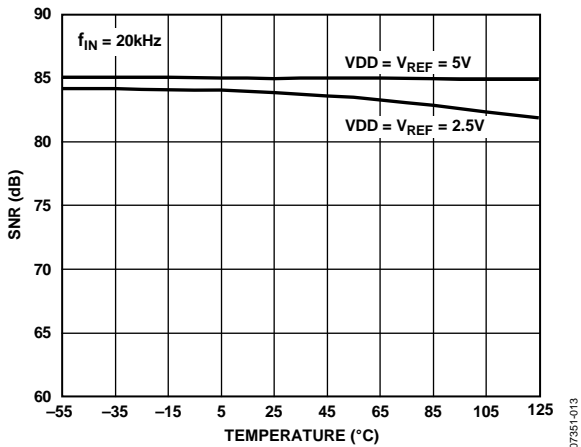


Figure 13. SNR vs. Temperature

07351-013

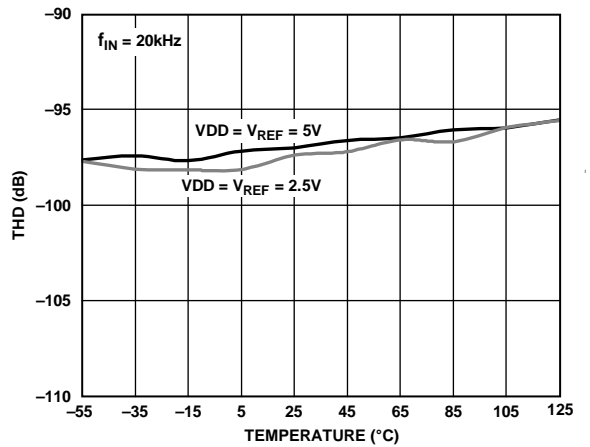


Figure 16. THD vs. Temperature

07351-016

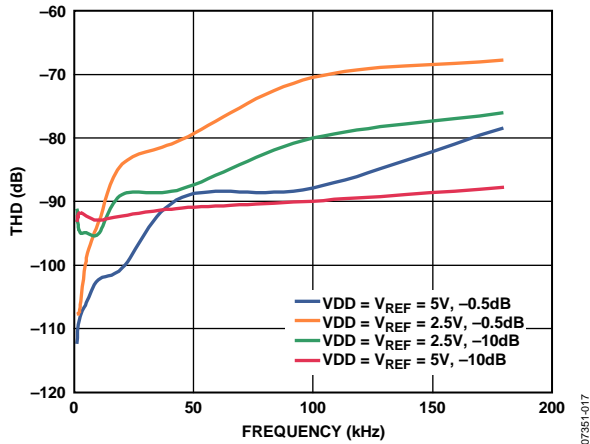


Figure 17. THD vs. Frequency

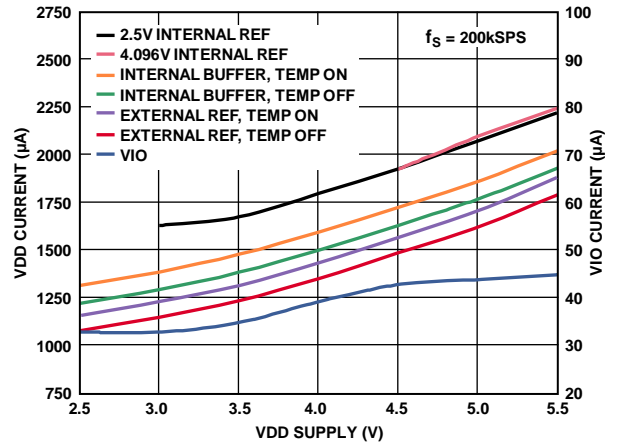


Figure 20. Operating Currents vs. Supply

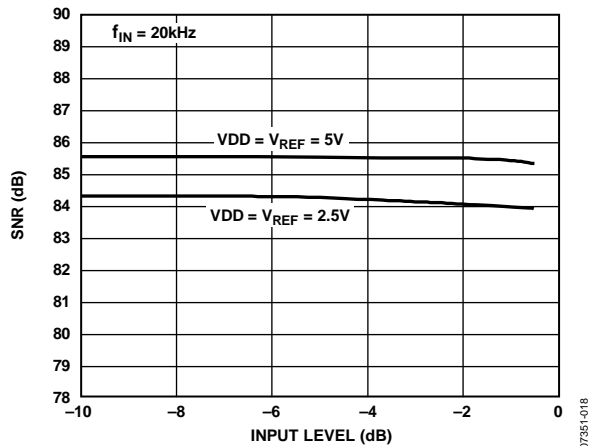


Figure 18. SNR vs. Input Level

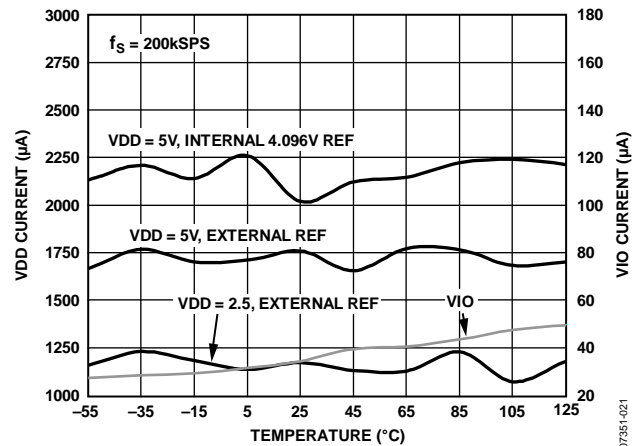


Figure 21. Operating Currents vs. Temperature

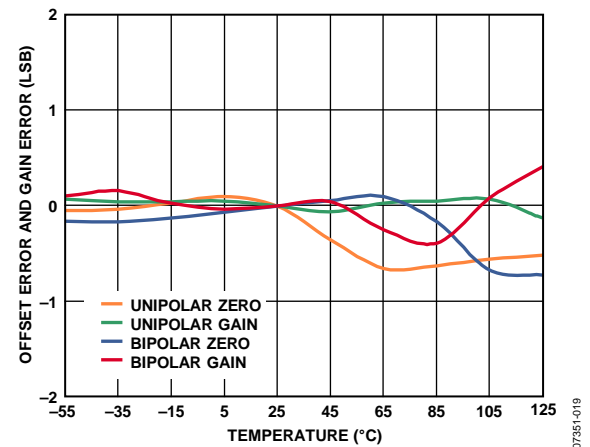


Figure 19. Offset and Gain Errors vs. Temperature

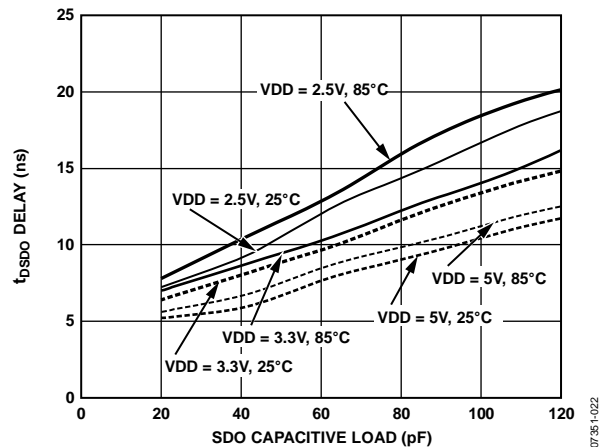


Figure 22. t_{SDO} Delay vs. SDO Capacitive Load and Supply

TERMINOLOGY

Least Significant Bit (LSB)

The LSB is the smallest increment that can be represented by a converter. For an analog-to-digital converter with N bits of resolution, the LSB expressed in volts is

$$LSB (V) = \frac{V_{REF}}{2^N}$$

Integral Nonlinearity Error (INL)

INL refers to the deviation of each individual code from a line drawn from negative full scale through positive full scale. The point used as negative full scale occurs $\frac{1}{2}$ LSB before the first code transition. Positive full scale is defined as a level $\frac{1}{2}$ LSB beyond the last code transition. The deviation is measured from the middle of each code to the true straight line (see Figure 24).

Differential Nonlinearity Error (DNL)

In an ideal ADC, code transitions are 1 LSB apart. DNL is the maximum deviation from this ideal value. It is often specified in terms of resolution for which no missing codes are guaranteed.

Offset Error

The first transition should occur at a level $\frac{1}{2}$ LSB above analog ground. The offset error is the deviation of the actual transition from that point.

Gain Error

The last transition (from 111 ... 10 to 111 ... 11) should occur for an analog voltage $\frac{1}{2}$ LSB below the nominal full scale. The gain error is the deviation in LSB (or percentage of full-scale range) of the actual level of the last transition from the ideal level after the offset error is adjusted out. Closely related is the full-scale error (also in LSB or percentage of full-scale range), which includes the effects of the offset error.

Aperture Delay

Aperture delay is the measure of the acquisition performance. It is the time between the rising edge of the CNV input and the point at which the input signal is held for a conversion.

Transient Response

Transient response is the time required for the ADC to accurately acquire its input after a full-scale step function is applied.

Dynamic Range

Dynamic range is the ratio of the rms value of the full scale to the total rms noise measured with the inputs shorted together. The value for dynamic range is expressed in decibels.

Signal-to-Noise Ratio (SNR)

SNR is the ratio of the rms value of the actual input signal to the rms sum of all other spectral components below the Nyquist frequency, excluding harmonics and dc. The value for SNR is expressed in decibels.

Signal-to-(Noise + Distortion) Ratio (SINAD)

SINAD is the ratio of the rms value of the actual input signal to the rms sum of all other spectral components below the Nyquist frequency, including harmonics but excluding dc. The value for SINAD is expressed in decibels.

Total Harmonic Distortion (THD)

THD is the ratio of the rms sum of the first five harmonic components to the rms value of a full-scale input signal and is expressed in decibels.

Spurious-Free Dynamic Range (SFDR)

SFDR is the difference, in decibels, between the rms amplitude of the input signal and the peak spurious signal.

Effective Number of Bits (ENOB)

ENOB is a measurement of the resolution with a sine wave input. It is related to SINAD by the formula

$$ENOB = (SINAD_{dB} - 1.76)/6.02$$

and is expressed in bits.

Channel-to-Channel Crosstalk

Channel-to-channel crosstalk is a measure of the level of crosstalk between any two adjacent channels. It is measured by applying a dc to the channel under test and applying a full-scale, 100 kHz sine wave signal to the adjacent channel(s). The crosstalk is the amount of signal that leaks into the test channel and is expressed in decibels.

Reference Voltage Temperature Coefficient

Reference voltage temperature coefficient is derived from the typical shift of output voltage at 25°C on a sample of parts at the maximum and minimum reference output voltage (V_{REF}) measured at T_{MIN} , T (25°C), and T_{MAX} . It is expressed in ppm/°C as

$$TCV_{REF} (\text{ppm}/^\circ\text{C}) = \frac{V_{REF} (Max) - V_{REF} (Min)}{V_{REF} (25^\circ\text{C}) \times (T_{MAX} - T_{MIN})} \times 10^6$$

where:

$V_{REF} (Max)$ = maximum V_{REF} at T_{MIN} , T (25°C), or T_{MAX} .

$V_{REF} (Min)$ = minimum V_{REF} at T_{MIN} , T (25°C), or T_{MAX} .

$V_{REF} (25^\circ\text{C})$ = V_{REF} at 25°C.

T_{MAX} = +85°C.

T_{MIN} = -40°C.

THEORY OF OPERATION

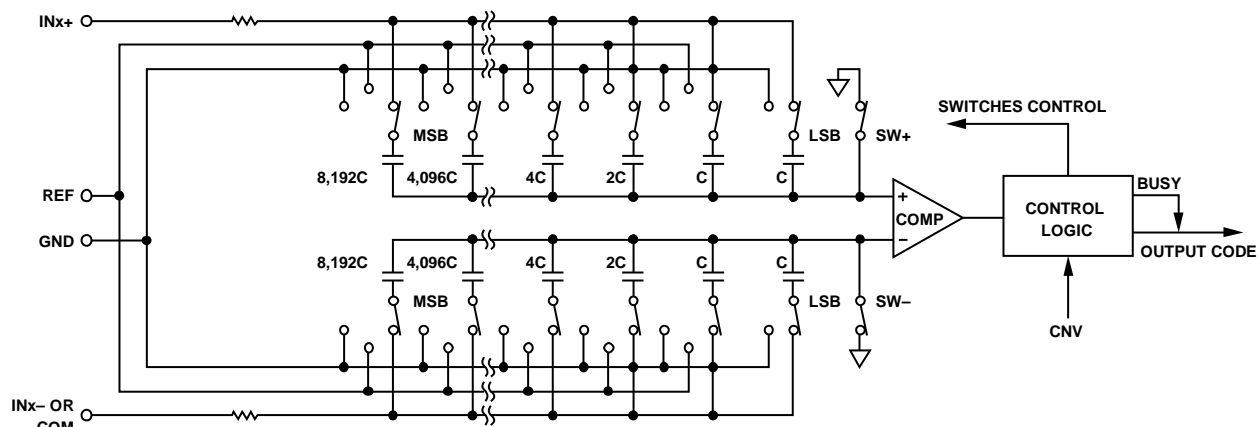


Figure 23. ADC Simplified Schematic

072851-023

OVERVIEW

The AD7949 is an 8-channel, 14-bit, charge redistribution successive approximation register (SAR) analog-to-digital converter (ADC). The AD7949 is capable of converting 250,000 samples per second (250 kSPS) and powers down between conversions. For example, when operating with an external reference at 1 kSPS, it consumes 15 μW typically, ideal for battery-powered applications.

The AD7949 contains all of the components for use in a multichannel, low power data acquisition system, including

- 14-bit SAR ADC with no missing codes
- 8-channel, low crosstalk multiplexer
- Internal low drift reference and buffer
- Temperature sensor
- Selectable one-pole filter
- Channel sequencer

These components are configured through an SPI-compatible, 14-bit register. Conversion results, also SPI compatible, can be read after or during conversions with the option for reading back the configuration associated with the conversion.

The AD7949 provides the user with an on-chip track-and-hold and does not exhibit pipeline delay or latency.

The AD7949 is specified from 2.3 V to 5.5 V and can be interfaced to any 1.8 V to 5 V digital logic family. The part is housed in a 20-lead, 4 mm \times 4 mm LFCSP that combines space savings and allows flexible configurations. It is pin-for-pin compatible with the 16-bit [AD7682](#), [AD7689](#), and [AD7699](#).

CONVERTER OPERATION

The AD7949 is a successive approximation ADC based on a charge redistribution DAC. Figure 23 shows the simplified schematic of the ADC. The capacitive DAC consists of two identical arrays of 14 binary-weighted capacitors, which are connected to the two comparator inputs.

During the acquisition phase, terminals of the array tied to the comparator input are connected to GND via SW+ and SW-. All independent switches are connected to the analog inputs.

Thus, the capacitor arrays are used as sampling capacitors and acquire the analog signal on the INx+ and INx- (or COM) inputs. When the acquisition phase is complete and the CNV input goes high, a conversion phase is initiated. When the conversion phase begins, SW+ and SW- are opened first. The two capacitor arrays are then disconnected from the inputs and connected to the GND input. Therefore, the differential voltage between the INx+ and INx- (or COM) inputs captured at the end of the acquisition phase is applied to the comparator inputs, causing the comparator to become unbalanced. By switching each element of the capacitor array between GND and REF, the comparator input varies by binary-weighted voltage steps ($V_{\text{REF}}/2$, $V_{\text{REF}}/4$, ... $V_{\text{REF}}/8,192$). The control logic toggles these switches, starting with the MSB, to bring the comparator back into a balanced condition. After the completion of this process, the part returns to the acquisition phase, and the control logic generates the ADC output code and a busy signal indicator.

Because the AD7949 has an on-board conversion clock, the serial clock, SCK, is not required for the conversion process.

TRANSFER FUNCTIONS

With the inputs configured for unipolar range (single-ended, COM with ground sense, or paired differentially with $INx-$ as ground sense), the data output is straight binary.

With the inputs configured for bipolar range (COM = $V_{REF}/2$ or paired differentially with $INx- = V_{REF}/2$), the data outputs are twos complement.

The ideal transfer characteristic for the AD7949 is shown in Figure 24 and for both unipolar and bipolar ranges with the internal 4.096 V reference.

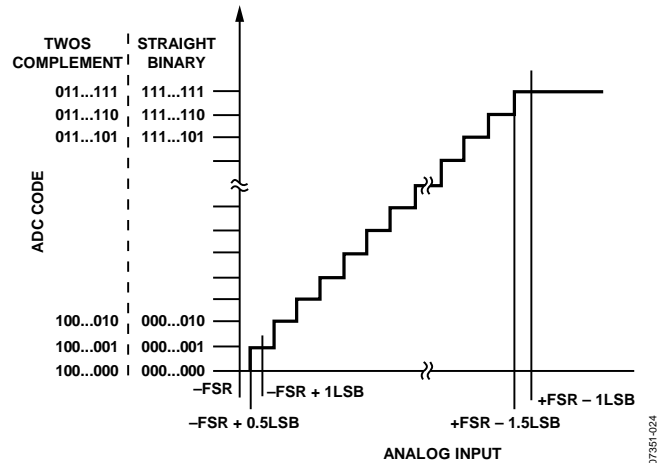


Figure 24. ADC Ideal Transfer Function

Table 7. Output Codes and Ideal Input Voltages

| Description | Unipolar Analog Input ¹ $V_{REF} = 4.096 \text{ V}$ | Digital Output Code (Straight Binary Hex) | Bipolar Analog Input ² $V_{REF} = 4.096 \text{ V}$ | Digital Output Code (Twos Complement Hex) |
|------------------|---|--|--|--|
| FSR - 1 LSB | 4.095750 V | 0x3FFF ³ | 2.047750 V | 0x1FFF ³ |
| Midscale + 1 LSB | 2.048250 V | 0x2001 | 250 μV | 0x0001 |
| Midscale | 2.048000 V | 0x2000 | 0 V | 0x0000 |
| Midscale - 1 LSB | 2.047750 V | 0x1FFF | -250 μV | 0x3FFF |
| -FSR + 1 LSB | 250 μV | 0x0001 | -2.047750 V | 0x2001 |
| -FSR | 0 V | 0x0000 ⁴ | -2.048 V | 0x2000 ⁴ |

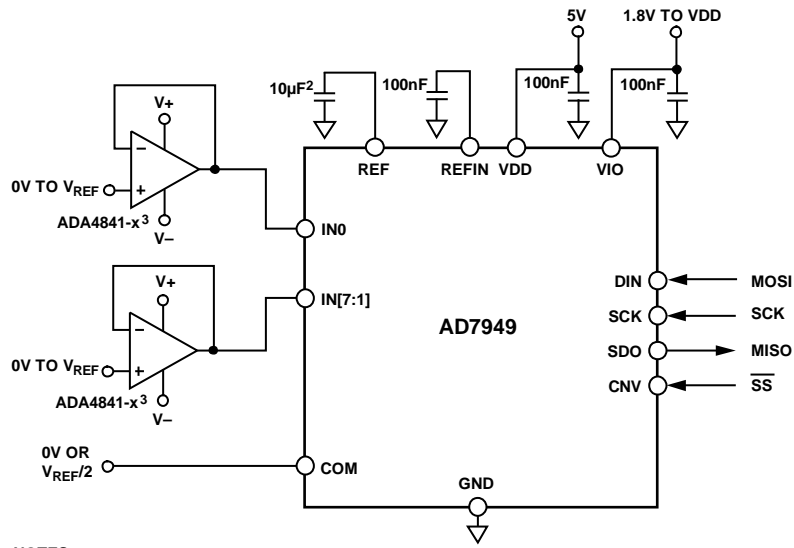
¹ With COM or $INx- = 0 \text{ V}$ or all INx referenced to GND.

² With COM or $INx- = V_{REF}/2$.

³ This is also the code for an overranged analog input ($(INx+) - (INx-)$, or COM, above $V_{REF} - \text{GND}$).

⁴ This is also the code for an underranged analog input ($(INx+) - (INx-)$, or COM, below GND).

TYPICAL CONNECTION DIAGRAMS

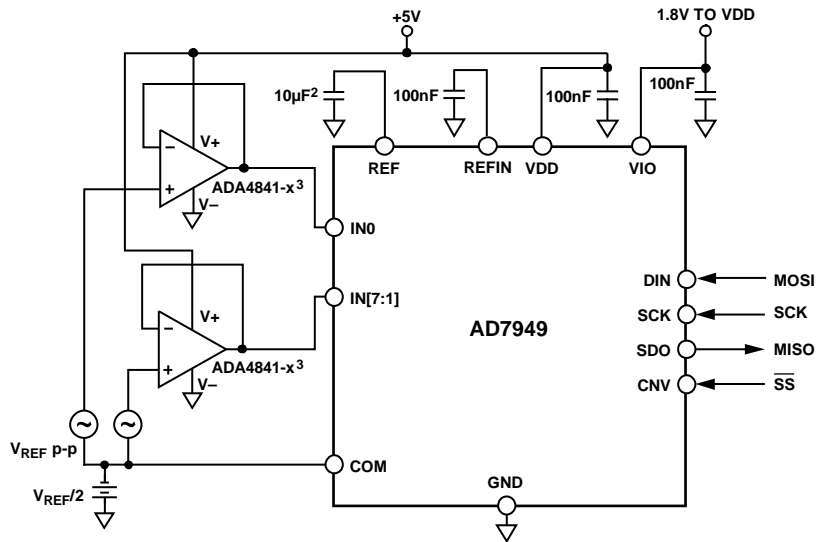


NOTES

1. INTERNAL REFERENCE SHOWN. SEE VOLTAGE REFERENCE OUTPUT/INPUT SECTION FOR REFERENCE SELECTION.
2. C_{REF} IS USUALLY A 10µF CERAMIC CAPACITOR (X5R).
3. SEE THE DRIVER AMPLIFIER CHOICE SECTION FOR ADDITIONAL RECOMMENDED AMPLIFIERS.
4. SEE THE DIGITAL INTERFACE SECTION FOR CONFIGURING AND READING CONVERSION DATA.

Figure 25. Typical Application Diagram with Multiple Supplies

07351-025



NOTES

1. INTERNAL REFERENCE SHOWN. SEE VOLTAGE REFERENCE OUTPUT/INPUT SECTION FOR REFERENCE SELECTION.
2. C_{REF} IS USUALLY A 10µF CERAMIC CAPACITOR (X5R).
3. SEE THE DRIVER AMPLIFIER CHOICE SECTION FOR ADDITIONAL RECOMMENDED AMPLIFIERS.
4. SEE THE DIGITAL INTERFACE SECTION FOR CONFIGURING AND READING CONVERSION DATA.

Figure 26. Typical Application Diagram Using Bipolar Input

07351-026

Unipolar or Bipolar

Figure 25 shows an example of the recommended connection diagram for the AD7949 when multiple supplies are available.

Bipolar Single Supply

Figure 26 shows an example of a system with a bipolar input using single supplies with the internal reference (optional different VIO supply). This circuit is also useful when the amplifier/signal conditioning circuit is remotely located with some common mode present. Note that for any input configuration, the IN_x inputs are unipolar and are always referenced to GND (no negative voltages even in bipolar range).

For this circuit, a rail-to-rail input/output amplifier can be used; however, the offset voltage vs. input common-mode range should be noted and taken into consideration (1 LSB = 250 μV with V_{REF} = 4.096 V). Note that the conversion results are in twos complement format when using the bipolar input configuration. Refer to the AN-581 Application Note, *Biasing and Decoupling Op Amps in Single Supply Applications*, at www.analog.com for additional details about using single-supply amplifiers.

ANALOG INPUTS

Input Structure

Figure 27 shows an equivalent circuit of the input structure of the AD7949. The two diodes, D1 and D2, provide ESD protection for the analog inputs, IN[7:0] and COM. Care must be taken to ensure that the analog input signal does not exceed the supply rails by more than 0.3 V because this causes the diodes to become forward biased and to start conducting current.

These diodes can handle a forward-biased current of 130 mA maximum. For instance, these conditions may eventually occur when the input buffer supplies are different from VDD. In such a case, for example, an input buffer with a short circuit, the current limitation can be used to protect the part.

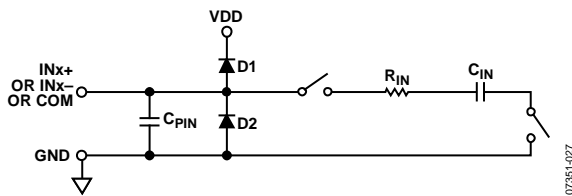


Figure 27. Equivalent Analog Input Circuit

This analog input structure allows the sampling of the true differential signal between IN_{x+} and COM or IN_{x+} and IN_{x-}. (COM or IN_{x-} = GND ± 0.1 V or V_{REF} ± 0.1 V). By using these differential inputs, signals common to both inputs are rejected, as shown in Figure 28.

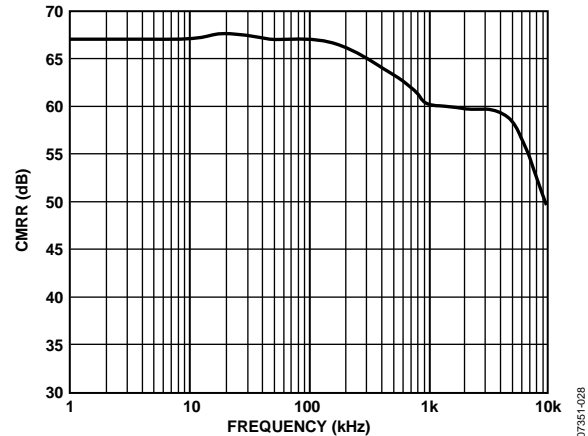


Figure 28. Analog Input CMRR vs. Frequency

During the acquisition phase, the impedance of the analog inputs can be modeled as a parallel combination of the capacitor, C_{PIN}, and the network formed by the series connection of R_{IN} and C_{IN}. C_{PIN} is primarily the pin capacitance. R_{IN} is typically 2.4 kΩ and is a lumped component composed of serial resistors and the on resistance of the switches. C_{IN} is typically 27 pF and is mainly the ADC sampling capacitor.

Selectable Low-Pass Filter

During the conversion phase, where the switches are opened, the input impedance is limited to C_{PIN}. While the AD7949 is acquiring, R_{IN} and C_{IN} make a one-pole, low-pass filter that reduces undesirable aliasing effects and limits the noise from the driving circuitry. The low-pass filter can be programmed for the full bandwidth or ¼ of the bandwidth with CFG[6], as shown in Table 9. This setting changes R_{IN} to 19 kΩ. Note that the converter throughput must also be reduced by ¼ when using the filter. If the maximum throughput is used with the bandwidth (BW) set to ¼, the converter acquisition time, t_{ACQ}, is violated, resulting in increased THD.

Input Configurations

Figure 29 shows the different methods for configuring the analog inputs with the configuration register, CFG[12:10]. Refer to the Configuration Register, CFG, section for more details.

The analog inputs can be configured as

- Figure 29A, single-ended referenced to system ground; CFG[12:10] = 111₂.
In this configuration, all inputs (IN[7:0]) have a range of GND to V_{REF} .
- Figure 29B, bipolar differential with a common reference point; COM = $V_{REF}/2$; CFG[12:10] = 010₂.
Unipolar differential with COM connected to a ground sense; CFG[12:10] = 110₂.
In these configurations, all inputs IN[7:0] have a range of GND to V_{REF} .
- Figure 29C, bipolar differential pairs with the negative input channel referenced to $V_{REF}/2$; CFG[12:10] = 00X₂.
Unipolar differential pairs with the negative input channel referenced to a ground sense; CFG[12:10] = 10X₂.
In these configurations, the positive input channels have the range of GND to V_{REF} . The negative input channels are senses referred to $V_{REF}/2$ for bipolar pairs, or GND for unipolar pairs. The positive channel is configured with CFG[9:7]. If CFG[9:7] is even, then IN0, IN2, IN4, and IN6 are used. If CFG[9:7] is odd, then IN1, IN3, IN5, and IN7 are used (channels with parentheses). For example, for IN0/IN1 pairs with the positive channel on IN0, CFG[9:7] = 000₂. For IN4/IN5 pairs with the positive channel on IN5, CFG[9:7] = 101₂.
Note that for the sequencer, detailed in the Channel Sequencer section, the positive channels are always IN0, IN2, IN4, and IN6.
- Figure 29D, inputs configured in any of the preceding combinations (showing that the AD7949 can be configured dynamically).

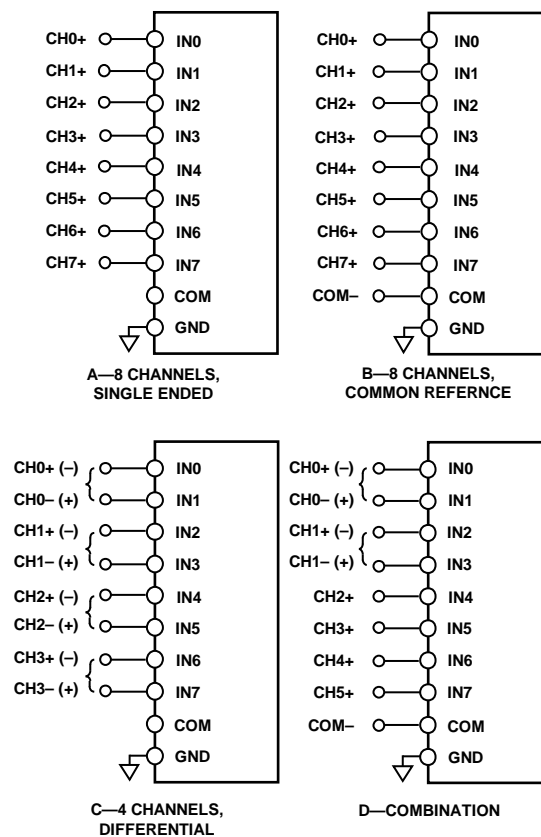


Figure 29. Multiplexed Analog Input Configurations

Sequencer

The AD7949 includes a channel sequencer useful for scanning channels in a repeated fashion. Refer to the Channel Sequencer section for further details of the sequencer operation.

Source Resistance

When the source impedance of the driving circuit is low, the AD7949 can be driven directly. Large source impedances significantly affect the ac performance, especially THD. The dc performances are less sensitive to the input impedance. The maximum source impedance depends on the amount of THD that can be tolerated. The THD degrades as a function of the source impedance and the maximum input frequency.

DRIVER AMPLIFIER CHOICE

Although the AD7949 is easy to drive, the driver amplifier must meet the following requirements:

- The noise generated by the driver amplifier must be kept as low as possible to preserve the SNR and transition noise performance of the AD7949. Note that the AD7949 has a noise much lower than most of the other 14-bit ADCs and, therefore, can be driven by a noisier amplifier to meet a given system noise specification. The noise from the amplifier is filtered by the AD7949 analog input circuit low-pass filter made by R_{IN} and C_{IN} or by an external filter, if one is used.
- For ac applications, the driver should have a THD performance commensurate with the AD7949. Figure 17 shows THD vs. frequency for the AD7949.
- For multichannel, multiplexed applications on each input or input pair, the driver amplifier and the AD7949 analog input circuit must settle a full-scale step onto the capacitor array at a 14-bit level (0.0015%). In amplifier data sheets, settling at 0.1% to 0.01% is more commonly specified. This may differ significantly from the settling time at a 14-bit level and should be verified prior to driver selection.

Table 8. Recommended Driver Amplifiers

| Amplifier | Typical Application |
|----------------|---|
| ADA4841-x | Very low noise, small, and low power |
| AD8655 | 5 V single supply, low noise |
| AD8021 | Very low noise and high frequency |
| AD8022 | Low noise and high frequency |
| OP184 | Low power, low noise, and low frequency |
| AD8605, AD8615 | 5 V single supply, low power |

VOLTAGE REFERENCE OUTPUT/INPUT

The AD7949 allows the choice of a very low temperature drift internal voltage reference, an external reference, or an external buffered reference.

The internal reference of the AD7949 provides excellent performance and can be used in almost all applications. There are six possible choices of voltage reference schemes briefly described in Table 9, with more details in each of the following sections.

Internal Reference/Temperature Sensor

The precision internal reference, suitable for most applications, can be set for either a 2.5 V or a 4.096 V output, as detailed in Table 9. With the internal reference enabled, the band gap voltage is also present on the REFIN pin, which requires an external 0.1 μ F capacitor. Because the current output of REFIN is limited, it can be used as a source if followed by a suitable buffer, such as the AD8605. Note that the voltage of REFIN changes depending on the 2.5 V or 4.096 V internal reference.

Enabling the reference also enables the internal temperature sensor, which measures the internal temperature of the AD7949 and is thus useful for performing a system calibration. Note that, when using the temperature sensor, the output is straight binary referenced from the AD7949 GND pin.

The internal reference is temperature-compensated to within 10 mV. The reference is trimmed to provide a typical drift of ± 10 ppm/ $^{\circ}$ C.

Connect the AD7949 as shown in Figure 30 for either a 2.5 V or 4.096 V internal reference.

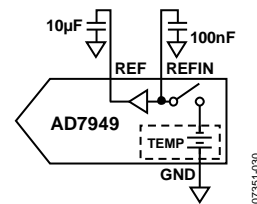


Figure 30. 2.5 V or 4.096 V Internal Reference Connection

AD7949

POWER SUPPLY

The AD7949 uses two power supply pins: an analog and digital core supply (VDD) and a digital input/output interface supply (VIO). VIO allows direct interface with any logic between 1.8 V and VDD. To reduce the supplies needed, the VIO and VDD pins can be tied together. The AD7949 is independent of power supply sequencing between VIO and VDD. Additionally, it is very insensitive to power supply variations over a wide frequency range, as shown in Figure 33.

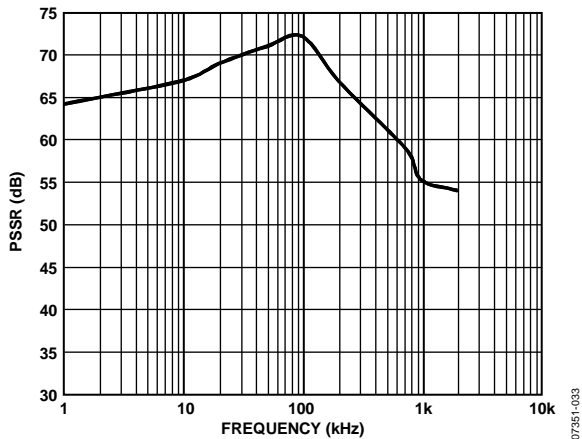


Figure 33. PSRR vs. Frequency

The AD7949 powers down automatically at the end of each conversion phase; therefore, the operating currents and power scale linearly with the sampling rate. This makes the part ideal for low sampling rates (even of a few hertz) and low battery-powered applications.

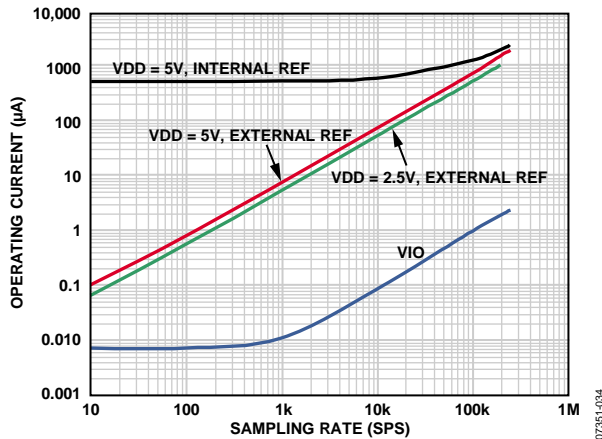
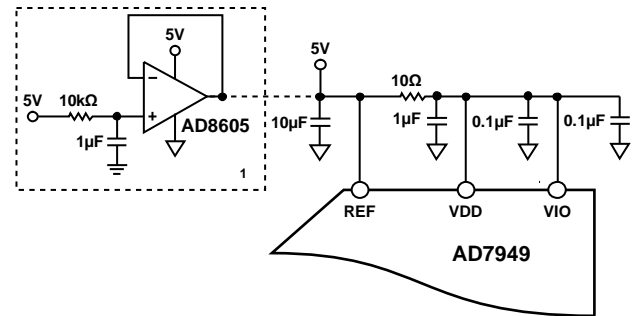


Figure 34. Operating Currents vs. Sampling Rate

SUPPLYING THE ADC FROM THE REFERENCE

For simplified applications, the AD7949, with its low operating current, can be supplied directly using an external reference circuit like the one shown in Figure 35. The reference line can be driven by:

- The system power supply directly
- A reference voltage with enough current output capability, such as the [ADR43x](#) or [ADR44x](#)
- A reference buffer, such as the [AD8605](#), which can also filter the system power supply, as shown in Figure 35



1OPTIONAL REFERENCE BUFFER AND FILTER.

Figure 35. Example of an Application Circuit

DIGITAL INTERFACE

The AD7949 uses a simple 4-wire interface and is compatible with SPI, MICROWIRE™, QSPI™, digital hosts, and DSPs, for example, Blackfin® ADSP-BF53x, SHARC®, ADSP-219x, and ADSP-218x.

The interface uses the CNV, DIN, SCK, and SDO signals and allows CNV, which initiates the conversion, to be independent of the readback timing. This is useful in low jitter sampling or simultaneous sampling applications.

A 14-bit register, CFG[13:0], is used to configure the ADC for the channel to be converted, the reference selection, and other components, which are detailed in the Configuration Register, CFG, section.

When CNV is low, reading/writing can occur during conversion, acquisition, and spanning conversion (acquisition plus conversion), as detailed in the following sections. The CFG word is updated on the first 14 SCK rising edges, and conversion results are output on the first 13 (or 14 if busy mode is selected) SCK falling edges. If the CFG readback is enabled, an additional 14 SCK falling edges are required to output the CFG word associated with the conversion results with the CFG MSB following the LSB of the conversion result.

A discontinuous SCK is recommended because the part is selected with CNV low, and SCK activity begins to write a new configuration word and clock out data.

Note that in the following sections, the timing diagrams indicate digital activity (SCK, CNV, DIN, SDO) during the conversion. However, due to the possibility of performance degradation, digital activity should occur only prior to the safe data reading/writing time, t_{DATA} , because the AD7949 provides error correction circuitry that can correct for an incorrect bit during this time. From t_{DATA} to t_{CONV} , there is no error correction and conversion results may be corrupted. The user should configure the AD7949 and initiate the busy indicator (if desired) prior to t_{DATA} . It is also possible to corrupt the sample by having SCK or DIN transitions near the sampling instant. Therefore, it is recommended to keep the digital pins quiet for approximately 20 ns before and 10 ns after the rising edge of CNV, using a discontinuous SCK whenever possible to avoid any potential performance degradation.

READING/WRITING DURING CONVERSION, FAST HOSTS

When reading/writing during conversion (n), conversion results are for the previous (n – 1) conversion, and writing the CFG register is for the next (n + 1) acquisition and conversion.

After the CNV is brought high to initiate conversion, it must be brought low again to allow reading/writing during conversion. Reading/writing should only occur up to t_{DATA} and, because this time is limited, the host must use a fast SCK.

The SCK frequency required is calculated by

$$f_{SCK} \geq \frac{\text{Number_SCK_Edges}}{t_{DATA}}$$

The time between t_{DATA} and t_{CONV} is a safe time when digital activity should not occur, or sensitive bit decisions may be corrupted.

READING/WRITING AFTER CONVERSION, ANY SPEED HOSTS

When reading/writing after conversion, or during acquisition (n), conversion results are for the previous (n – 1) conversion, and writing is for the (n + 1) acquisition.

For the maximum throughput, the only time restriction is that the reading/writing take place during the t_{ACQ} (minimum) time. For slow throughputs, the time restriction is dictated by the throughput required by the user, and the host is free to run at any speed. Thus for slow hosts, data access must take place during the acquisition phase.

READING/WRITING SPANNING CONVERSION, ANY SPEED HOST

When reading/writing spanning conversion, the data access starts at the current acquisition (n) and spans into the conversion (n). Conversion results are for the previous (n – 1) conversion, and writing the CFG register is for the next (n + 1) acquisition and conversion.

Similar to reading/writing during conversion, reading/writing should only occur up to t_{DATA} . For the maximum throughput, the only time restriction is that reading/writing take place during the $t_{ACQ} + t_{DATA}$ time.

For slow throughputs, the time restriction is dictated by the user's required throughput, and the host is free to run at any speed. Similar to reading/writing during acquisition, for slow hosts, the data access must take place during the acquisition phase with additional time into the conversion.

Note that data access spanning conversion requires the CNV to be driven high to initiate a new conversion, and data access is not allowed when CNV is high. Thus, the host must perform two bursts of data access when using this method.

CONFIGURATION REGISTER, CFG

The AD7949 uses a 14-bit configuration register (CFG[13:0]), as detailed in Table 9, to configure the inputs, the channel to be converted, the one-pole filter bandwidth, the reference, and the channel sequencer. The CFG register is latched (MSB first) on DIN with 14 SCK rising edges. The CFG update is edge dependent, allowing for asynchronous or synchronous hosts.

AD7949

The register can be written to during conversion, during acquisition, or spanning acquisition/conversion, and is updated at the end of conversion, t_{CONV} (maximum). There is always a one deep delay when writing the CFG register. Note that, at power-up, the CFG register is undefined and two dummy conversions are required to update the register. To preload the CFG register with a factory setting, hold DIN high for two conversions. Thus $CFG[13:0] = 0x3FFF$. This sets the AD7949 for the following:

- IN[7:0] unipolar referenced to GND, sequenced in order
- Full bandwidth for a one-pole filter
- Internal reference/temperature sensor disabled, buffer enabled
- Enables the internal sequencer
- No readback of the CFG register

Table 9 summarizes the configuration register bit details. See the Theory of Operation section for more details.

| | | | | | | | | | | | | | |
|-----------|-----------|-----------|-----------|----------|----------|----------|----------|----------|----------|----------|----------|----------|----------|
| 13 | 12 | 11 | 10 | 9 | 8 | 7 | 6 | 5 | 4 | 3 | 2 | 1 | 0 |
| CFG | INCC | INCC | INCC | INx | INx | INx | BW | REF | REF | REF | SEQ | SEQ | RB |

Table 9. Configuration Register Description

| Bit(s) | Name | Description | | | | | | | | | | | | | | | | | | | | | | | | | | | | |
|---------|------|---|--|--------------------|---|----------|---|--------------------|----------------|---|---------------------------------------|---|---|--|-----|-----|--|--|---|---|----------------|--|---|---|---|--|---|---|---|--|
| [13] | CFG | Configuration update. 0 = keep current configuration settings. 1 = overwrite contents of register. | | | | | | | | | | | | | | | | | | | | | | | | | | | | |
| [12:10] | INCC | Input channel configuration. Selection of pseudo bipolar, pseudo differential, pairs, single-ended, or temperature sensor. Refer to the Input Configurations section. | | | | | | | | | | | | | | | | | | | | | | | | | | | | |
| | | <table border="1"> <thead> <tr> <th>Bit 12</th> <th>Bit 11</th> <th>Bit 10</th> <th>Function</th> </tr> </thead> <tbody> <tr> <td>0</td> <td>0</td> <td>X¹</td> <td>Bipolar differential pairs; INx– referenced to $V_{REF}/2 \pm 0.1$ V.</td> </tr> <tr> <td>0</td> <td>1</td> <td>0</td> <td>Bipolar; INx referenced to $COM = V_{REF}/2 \pm 0.1$ V.</td> </tr> <tr> <td>0</td> <td>1</td> <td>1</td> <td>Temperature sensor.</td> </tr> <tr> <td>1</td> <td>0</td> <td>X¹</td> <td>Unipolar differential pairs; INx– referenced to $GND \pm 0.1$ V.</td> </tr> <tr> <td>1</td> <td>1</td> <td>0</td> <td>Unipolar, INx referenced to $COM = GND \pm 0.1$ V.</td> </tr> <tr> <td>1</td> <td>1</td> <td>1</td> <td>Unipolar, INx referenced to GND.</td> </tr> </tbody> </table> | Bit 12 | Bit 11 | Bit 10 | Function | 0 | 0 | X ¹ | Bipolar differential pairs; INx– referenced to $V_{REF}/2 \pm 0.1$ V. | 0 | 1 | 0 | Bipolar; INx referenced to $COM = V_{REF}/2 \pm 0.1$ V. | 0 | 1 | 1 | Temperature sensor. | 1 | 0 | X ¹ | Unipolar differential pairs; INx– referenced to $GND \pm 0.1$ V. | 1 | 1 | 0 | Unipolar, INx referenced to $COM = GND \pm 0.1$ V. | 1 | 1 | 1 | Unipolar, INx referenced to GND. |
| | | Bit 12 | Bit 11 | Bit 10 | Function | | | | | | | | | | | | | | | | | | | | | | | | | |
| | | 0 | 0 | X ¹ | Bipolar differential pairs; INx– referenced to $V_{REF}/2 \pm 0.1$ V. | | | | | | | | | | | | | | | | | | | | | | | | | |
| | | 0 | 1 | 0 | Bipolar; INx referenced to $COM = V_{REF}/2 \pm 0.1$ V. | | | | | | | | | | | | | | | | | | | | | | | | | |
| | | 0 | 1 | 1 | Temperature sensor. | | | | | | | | | | | | | | | | | | | | | | | | | |
| 1 | 0 | X ¹ | Unipolar differential pairs; INx– referenced to $GND \pm 0.1$ V. | | | | | | | | | | | | | | | | | | | | | | | | | | | |
| 1 | 1 | 0 | Unipolar, INx referenced to $COM = GND \pm 0.1$ V. | | | | | | | | | | | | | | | | | | | | | | | | | | | |
| 1 | 1 | 1 | Unipolar, INx referenced to GND. | | | | | | | | | | | | | | | | | | | | | | | | | | | |
| [9:7] | INx | Input channel selection in binary fashion. | | | | | | | | | | | | | | | | | | | | | | | | | | | | |
| | | <table border="1"> <thead> <tr> <th>Bit 9</th> <th>Bit 8</th> <th>Bit 7</th> <th>Channel</th> </tr> </thead> <tbody> <tr> <td>0</td> <td>0</td> <td>0</td> <td>IN0</td> </tr> <tr> <td>0</td> <td>0</td> <td>1</td> <td>IN1</td> </tr> <tr> <td>...</td> <td>...</td> <td>...</td> <td></td> </tr> <tr> <td>1</td> <td>1</td> <td>1</td> <td>IN7</td> </tr> </tbody> </table> | Bit 9 | Bit 8 | Bit 7 | Channel | 0 | 0 | 0 | IN0 | 0 | 0 | 1 | IN1 | ... | ... | ... | | 1 | 1 | 1 | IN7 | | | | | | | | |
| | | Bit 9 | Bit 8 | Bit 7 | Channel | | | | | | | | | | | | | | | | | | | | | | | | | |
| | | 0 | 0 | 0 | IN0 | | | | | | | | | | | | | | | | | | | | | | | | | |
| | | 0 | 0 | 1 | IN1 | | | | | | | | | | | | | | | | | | | | | | | | | |
| ... | ... | ... | | | | | | | | | | | | | | | | | | | | | | | | | | | | |
| 1 | 1 | 1 | IN7 | | | | | | | | | | | | | | | | | | | | | | | | | | | |
| [6] | BW | Select bandwidth for low-pass filter. Refer to the Selectable Low-Pass Filter section. 0 = $\frac{1}{4}$ of BW, uses an additional series resistor to further bandwidth limit the noise. Maximum throughput must also be reduced to $\frac{1}{4}$. 1 = full BW. | | | | | | | | | | | | | | | | | | | | | | | | | | | | |
| [5:3] | REF | Reference/buffer selection. Selection of internal, external, external buffered, and enabling of the on-chip temperature sensor. Refer to the Voltage Reference Output/Input section. | | | | | | | | | | | | | | | | | | | | | | | | | | | | |
| | | <table border="1"> <thead> <tr> <th>Bit 5</th> <th>Bit 4</th> <th>Bit 3</th> <th>Function</th> </tr> </thead> <tbody> <tr> <td>0</td> <td>0</td> <td>0</td> <td>Internal reference, REF = 2.5 V output.</td> </tr> <tr> <td>0</td> <td>0</td> <td>1</td> <td>Internal reference, REF = 4.096 V output.</td> </tr> <tr> <td>0</td> <td>1</td> <td>0</td> <td>External reference, temperature enabled.</td> </tr> <tr> <td>0</td> <td>1</td> <td>1</td> <td>External reference, internal buffer, temperature enabled.</td> </tr> <tr> <td>1</td> <td>1</td> <td>0</td> <td>External reference, temperature disabled.</td> </tr> <tr> <td>1</td> <td>1</td> <td>1</td> <td>External reference, internal buffer, temperature disabled.</td> </tr> </tbody> </table> | Bit 5 | Bit 4 | Bit 3 | Function | 0 | 0 | 0 | Internal reference, REF = 2.5 V output. | 0 | 0 | 1 | Internal reference, REF = 4.096 V output. | 0 | 1 | 0 | External reference, temperature enabled. | 0 | 1 | 1 | External reference, internal buffer, temperature enabled. | 1 | 1 | 0 | External reference, temperature disabled. | 1 | 1 | 1 | External reference, internal buffer, temperature disabled. |
| | | Bit 5 | Bit 4 | Bit 3 | Function | | | | | | | | | | | | | | | | | | | | | | | | | |
| | | 0 | 0 | 0 | Internal reference, REF = 2.5 V output. | | | | | | | | | | | | | | | | | | | | | | | | | |
| | | 0 | 0 | 1 | Internal reference, REF = 4.096 V output. | | | | | | | | | | | | | | | | | | | | | | | | | |
| | | 0 | 1 | 0 | External reference, temperature enabled. | | | | | | | | | | | | | | | | | | | | | | | | | |
| 0 | 1 | 1 | External reference, internal buffer, temperature enabled. | | | | | | | | | | | | | | | | | | | | | | | | | | | |
| 1 | 1 | 0 | External reference, temperature disabled. | | | | | | | | | | | | | | | | | | | | | | | | | | | |
| 1 | 1 | 1 | External reference, internal buffer, temperature disabled. | | | | | | | | | | | | | | | | | | | | | | | | | | | |
| [2:1] | SEQ | Channel sequencer. Allows for scanning channels in an IN0 to IN[7:0] fashion. Refer to the Channel Sequencer section. | | | | | | | | | | | | | | | | | | | | | | | | | | | | |
| | | <table border="1"> <thead> <tr> <th>Bit 2</th> <th>Bit 1</th> <th>Function</th> </tr> </thead> <tbody> <tr> <td>0</td> <td>0</td> <td>Disable sequencer.</td> </tr> <tr> <td>0</td> <td>1</td> <td>Update configuration during sequence.</td> </tr> <tr> <td>1</td> <td>0</td> <td>Scan IN0 to IN[7:0] (set in CFG[9:7]), then temperature.</td> </tr> <tr> <td>1</td> <td>1</td> <td>Scan IN0 to IN[7:0] (set in CFG[9:7]).</td> </tr> </tbody> </table> | Bit 2 | Bit 1 | Function | 0 | 0 | Disable sequencer. | 0 | 1 | Update configuration during sequence. | 1 | 0 | Scan IN0 to IN[7:0] (set in CFG[9:7]), then temperature. | 1 | 1 | Scan IN0 to IN[7:0] (set in CFG[9:7]). | | | | | | | | | | | | | |
| | | Bit 2 | Bit 1 | Function | | | | | | | | | | | | | | | | | | | | | | | | | | |
| | | 0 | 0 | Disable sequencer. | | | | | | | | | | | | | | | | | | | | | | | | | | |
| 0 | 1 | Update configuration during sequence. | | | | | | | | | | | | | | | | | | | | | | | | | | | | |
| 1 | 0 | Scan IN0 to IN[7:0] (set in CFG[9:7]), then temperature. | | | | | | | | | | | | | | | | | | | | | | | | | | | | |
| 1 | 1 | Scan IN0 to IN[7:0] (set in CFG[9:7]). | | | | | | | | | | | | | | | | | | | | | | | | | | | | |
| [0] | RB | Read back the CFG register. 0 = read back current configuration at end of data. 1 = do not read back contents of configuration. | | | | | | | | | | | | | | | | | | | | | | | | | | | | |

¹ X = don't care.

GENERAL TIMING WITHOUT A BUSY INDICATOR

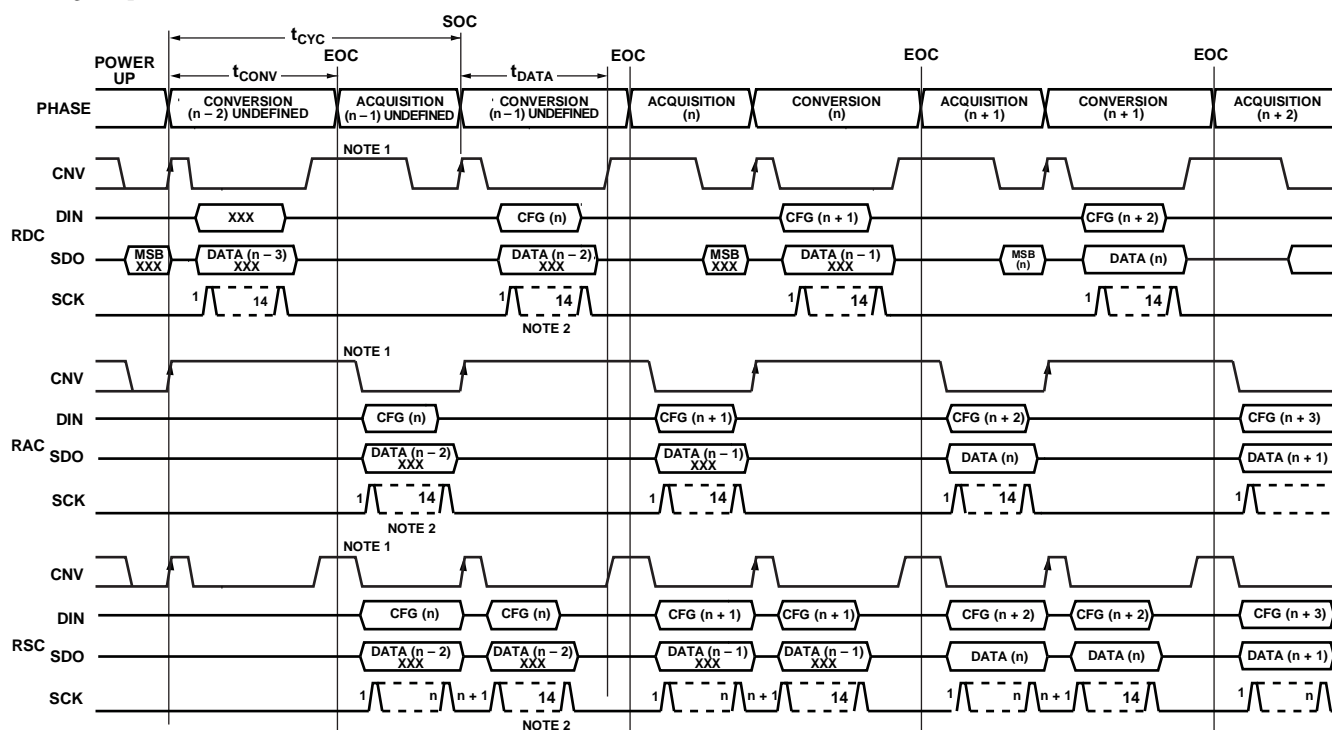
Figure 36 details the timing for all three modes: read/write during conversion (RDC), read/write after conversion (RAC), and read/write spanning conversion (RSC). Note that the gating item for both CFG and data readback is at the end of conversion (EOC). At EOC, if CNV is high, the busy indicator is disabled.

As detailed previously in the Digital Interface section, the data access should occur up to safe data reading/writing time, t_{DATA} . If the full CFG word was not written to prior to EOC, it is discarded and the current configuration remains. If the conversion result is not read out fully prior to EOC, it is lost as the ADC updates SDO with the MSB of the current conversion. For detailed timing, refer to Figure 39 and Figure 40, which depict reading/writing spanning conversion with all timing details, including setup, hold, and SCK.

When CNV is brought low after EOC, SDO is driven from high impedance to the MSB. Falling SCK edges clock out bits starting with MSB - 1.

The SCK can idle high or low depending on the clock polarity (CPOL) and clock phase (CPHA) settings if SPI is used. A simple solution is to use CPOL = CPHA = 0 as shown in Figure 36 with SCK idling low.

From power-up, in any read/write mode, the first three conversion results are undefined because a valid CFG does not take place until the 2nd EOC; thus two dummy conversions are required. Also, if the state machine writes the CFG during the power-up state (RDC shown), the CFG register needs to be rewritten again at the next phase. Note that the first valid data occurs in Phase (n + 1) when the CFG register is written during Phase (n - 1).



NOTES

1. CNV MUST BE HIGH PRIOR TO THE END OF CONVERSION (EOC) TO AVOID THE BUSY INDICATOR.
2. A TOTAL OF 14 SCK FALLING EDGES ARE REQUIRED TO RETURN SDO TO HIGH-Z. IF CFG READBACK IS ENABLED, A TOTAL OF 28 SCK FALLING EDGES IS REQUIRED TO RETURN SDO TO HIGH-Z.
3. WITH THE SEQUENCER ENABLED, THE NEXT ACQUISITION PHASE WILL BE FOR IN0 AFTER THE LAST CHANNEL SET IN CFG[9:7] IS CONVERTED.

Figure 36. General Interface Timing for the AD7949 Without a Busy Indicator

GENERAL TIMING WITH A BUSY INDICATOR

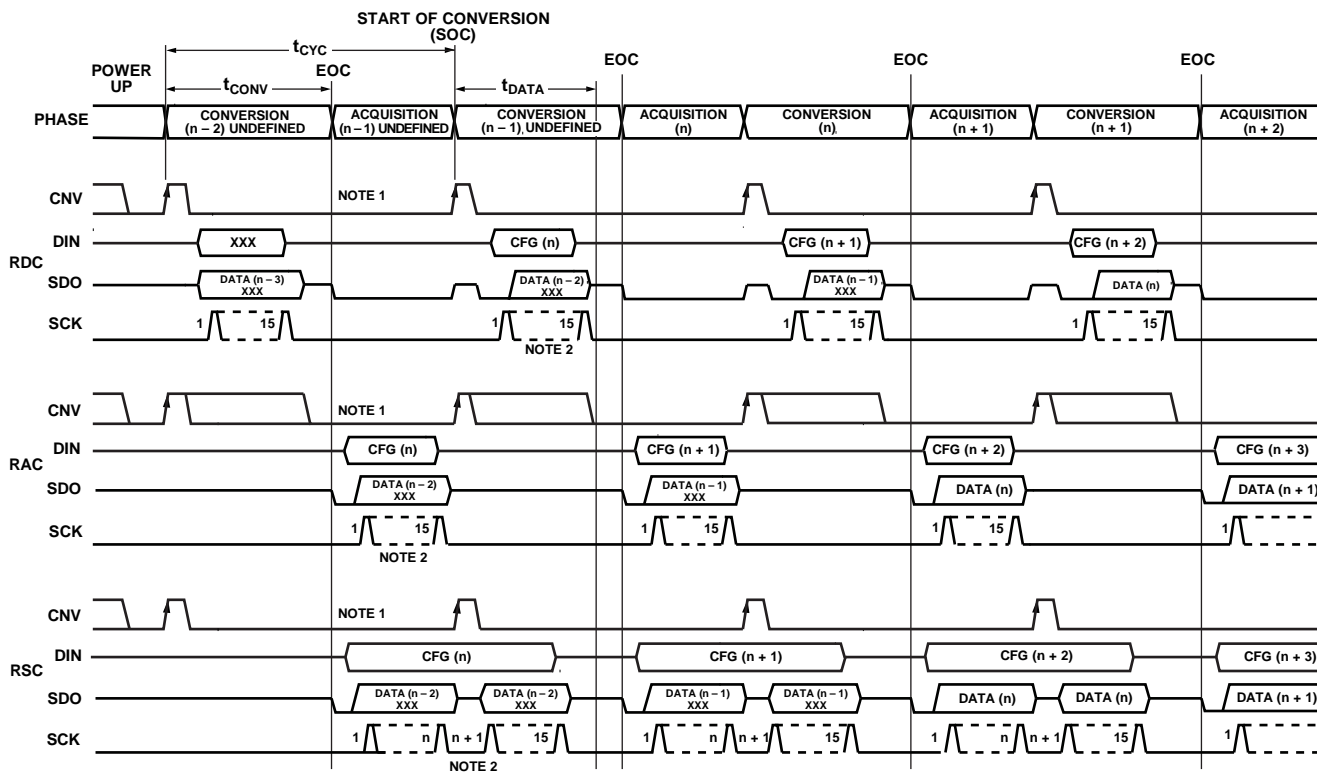
Figure 37 details the timing for all three modes: read/write during conversion (RDC), read/write after conversion (RAC), and read/write spanning conversion (RSC). Note that the gating item for both CFG and data readback is at the end of conversion (EOC). As detailed previously, the data access should occur up to safe data reading/writing time, t_{DATA} . If the full CFG word is not written to prior to EOC, it is discarded and the current configuration remains.

At the EOC, if CNV is low, the busy indicator is enabled. In addition, to generate the busy indicator properly, the host must assert a minimum of 15 SCK falling edges to return SDO to high impedance because the last bit on SDO remains active. Unlike the case detailed in the General Timing Without a Busy Indicator section, if the conversion result is not read out fully prior to EOC, the last bit clocked out remains. If this bit is low, the busy signal indicator cannot be generated because the busy

generation requires either a high impedance or a remaining bit high-to-low transition. Because most SPI hosts are usually limited to 8-bit or 16-bit bursts, this should not be an issue. Additional clocks are not a concern because SDO remains high impedance after the 15th falling edge.

The SCK can idle high or low depending on the CPOL and CPHA settings if SPI is used. A simple solution is to use $CPOL = CPHA = 1$ (not shown) with SCK idling high.

From power-up, in any read/write mode, the first three conversion results are undefined because a valid CFG does not take place until the 2nd EOC; thus, two dummy conversions are required. Also, if the state machine writes the CFG during the power-up state (RDC shown), the CFG register needs to be rewritten again at the next phase. Note that the first valid data occurs in Phase (n + 1) when the CFG register is written during Phase (n - 1).



- NOTES**
 1. CNV MUST BE LOW PRIOR TO THE END OF CONVERSION (EOC) TO GENERATE THE BUSY INDICATOR.
 2. A TOTAL OF 15 SCK FALLING EDGES ARE REQUIRED TO RETURN SDO TO HIGH-Z. IF CFG READBACK IS ENABLED, A TOTAL OF 29 SCK FALLING EDGES IS REQUIRED TO RETURN SDO TO HIGH-Z.

Figure 37. General Interface Timing for the AD7949 With a Busy Indicator

CHANNEL SEQUENCER

The AD7949 includes a channel sequencer useful for scanning channels in a repeated fashion. Channels are scanned as singles or pairs, with or without the temperature sensor, after the last channel is sequenced.

The sequencer starts with IN0 and finishes with IN[7:0] set in CFG[9:7]. For paired channels, the channels are paired depending on the last channel set in CFG[9:7]. Note that in sequencer mode, the channels are always paired with the positive input on the even channels (IN0, IN2, IN4, IN6), and with the negative input on the odd channels (IN1, IN3, IN5, IN7). For example, setting CFG[9:7] = 110 or 111 scans all pairs with the positive inputs dedicated to IN0, IN2, IN4, and IN6.

CFG[2:1] are used to enable the sequencer. After the CFG register is updated, DIN must be held low while reading data out for Bit 13, or the CFG register begins updating again.

Note that while operating in a sequence, some bits of the CFG register can be changed. However, if changing CFG[11] (paired or single channel) or CFG[9:7] (last channel in sequence), the sequence reinitializes and converts IN0 (or IN0/IN1 pairs) after the CFG register is updated.

Figure 38 details the timing for all three modes without a busy indicator. Refer to the General Timing Without a Busy Indicator section and the Read/Write Spanning Conversion Without a

Busy Indicator section for more details. The sequencer can also be used with the busy indicator and details for these timings can be found in the General Timing with a Busy Indicator section and the Read/Write Spanning Conversion with a Busy Indicator section.

For sequencer operation, the CFG register should be set during the (n - 1) phase after power-up. On phase (n), the sequencer setting takes place and acquires IN0. The first valid conversion result is available at phase (n + 1). After the last channel set in CFG[9:7] is converted, the internal temperature sensor data is output (if enabled), followed by acquisition of IN0.

Examples

With all channels configured for unipolar mode to GND, including the internal temperature sensor, the sequence scans in the following order:

IN0, IN1, IN2, IN3, IN4, IN5, IN6, IN7, TEMP, IN0, IN1, IN2, ...

For paired channels with the internal temperature sensor enabled, the sequencer scans in the following order:

IN0, IN2, IN4, IN6, TEMP, IN0, ...

Note that IN1, IN3, IN5, and IN7 are referenced to a GND sense or $V_{REF}/2$, as detailed in the Input Configurations section.

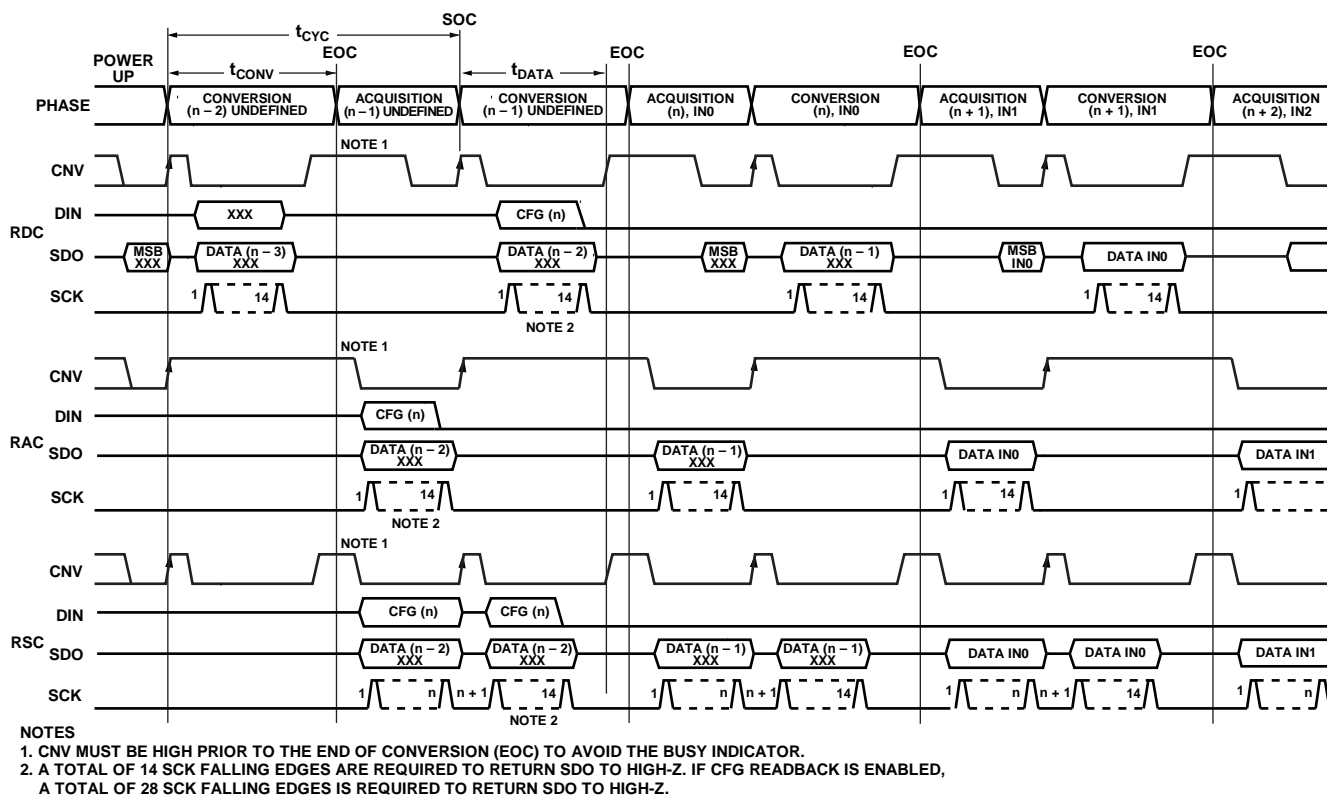


Figure 38. General Channel Sequencer Timing Without a Busy Indicator

READ/WRITE SPANNING CONVERSION WITHOUT A BUSY INDICATOR

This mode is used when the AD7949 is connected to any host using an SPI, serial port, or FPGA. The connection diagram is shown in Figure 39, and the corresponding timing is given in Figure 40. For the SPI, the host should use $CPHA = CPOL = 0$. Reading/writing spanning conversion is shown, which covers all three modes detailed in the Digital Interface section. For this mode, the host must generate the data transfer based on the conversion time. For an interrupt driven transfer that uses a busy indicator, refer to the Read/Write Spanning Conversion with a Busy Indicator section.

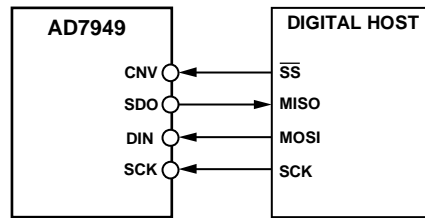
A rising edge on CNV initiates a conversion, forces SDO to high impedance, and ignores data present on DIN. After a conversion is initiated, it continues until completion irrespective of the state of CNV. CNV must be returned high before the safe data transfer time, t_{DATA} , and then held high beyond the conversion time, t_{CONV} , to avoid generation of the busy signal indicator.

After the conversion is complete, the AD7949 enters the acquisition phase and power-down. When the host brings CNV

low after t_{CONV} (maximum), the MSB is enabled on SDO. The host also must enable the MSB of the CFG register at this time (if necessary) to begin the CFG update. While CNV is low, both a CFG update and a data readback take place. The first 14 SCK rising edges are used to update the CFG, and the first 13 SCK falling edges clock out the conversion results starting with MSB - 1. The restriction for both configuring and reading is that they both must occur before the t_{DATA} time of the next conversion elapses. All 14 bits of CFG[13:0] must be written, or they are ignored. In addition, if the 14-bit conversion result is not read back before t_{DATA} elapses, it is lost.

The SDO data is valid on both SCK edges. Although the rising edge can be used to capture the data, a digital host using the SCK falling edge allows a faster reading rate, provided it has an acceptable hold time. After the 14th (or 28th) SCK falling edge, or when CNV goes high (whichever occurs first), SDO returns to high impedance.

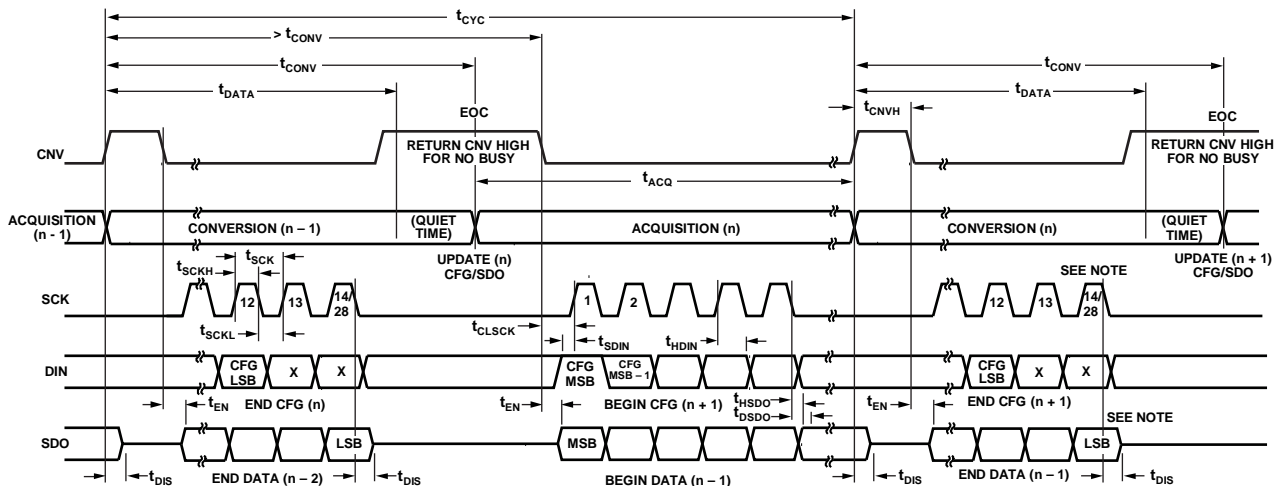
If CFG readback is enabled, the CFG register associated with the conversion result is read back MSB first following the LSB of the conversion result. A total of 28 SCK falling edges is required to return SDO to high impedance if this is enabled.



FOR SPI USE $CPHA = 0, CPOL = 0$.

07351-039

Figure 39. Connection Diagram for the AD7949 Without a Busy Indicator



NOTES

- 1. THE LSB IS FOR CONVERSION RESULTS OR THE CONFIGURATION REGISTER CFG (n - 1) IF
- 13 SCK FALLING EDGES = LSB OF CONVERSION RESULTS.
- 27 SCK FALLING EDGES = LSB OF CONFIGURATION REGISTER.
- ON THE 14TH OR 28TH SCK FALLING EDGE, SDO IS DRIVEN TO HIGH IMPEDANCE.

Figure 40. Serial Interface Timing for the AD7949 Without a Busy Indicator

07351-040

READ/WRITE SPANNING CONVERSION WITH A BUSY INDICATOR

This mode is used when the AD7949 is connected to any host using an SPI, serial port, or FPGA with an interrupt input. The connection diagram is shown in Figure 41, and the corresponding timing is given in Figure 42. For the SPI, the host should use $CPHA = CPOL = 1$. Reading/writing spanning conversion is shown, which covers all three modes detailed in the Digital Interface section.

A rising edge on CNV initiates a conversion, ignores data present on DIN and forces SDO to high impedance. After the conversion is initiated, it continues until completion irrespective of the state of CNV. CNV must be returned low before the safe data transfer time, t_{DATA} , and then held low beyond the conversion time, t_{CONV} , to generate the busy signal indicator. When the conversion is complete, SDO transitions from high impedance to low (data ready), and with a pull-up to VIO, SDO can be used to interrupt the host to begin data transfer.

After the conversion is complete, the AD7949 enters the acquisition phase and power-down. The host must enable the MSB of the CFG register at this time (if necessary) to begin the

CFG update. While CNV is low, both a CFG update and a data readback take place. The first 14 SCK rising edges are used to update the CFG register, and the first 14 SCK falling edges clock out the conversion results starting with the MSB. The restriction for both configuring and reading is that they both occur before the t_{DATA} time elapses for the next conversion. All 14 bits of $CFG[13:0]$ must be written or they are ignored. Also, if the 14-bit conversion result is not read back before t_{DATA} elapses, it is lost.

The SDO data is valid on both SCK edges. Although the rising edge can be used to capture the data, a digital host using the SCK falling edge allows a faster reading rate, provided it has an acceptable hold time. After the optional 15th (or 29th) SCK falling edge, SDO returns to high impedance. Note that if the optional SCK falling edge is not used, the busy feature cannot be detected, as described in the General Timing with a Busy Indicator section.

If CFG readback is enabled, the CFG register associated with the conversion result is read back MSB first following the LSB of the conversion result. A total of 29 SCK falling edges is required to return SDO to high impedance if this is enabled.

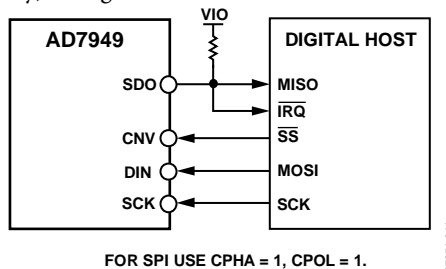
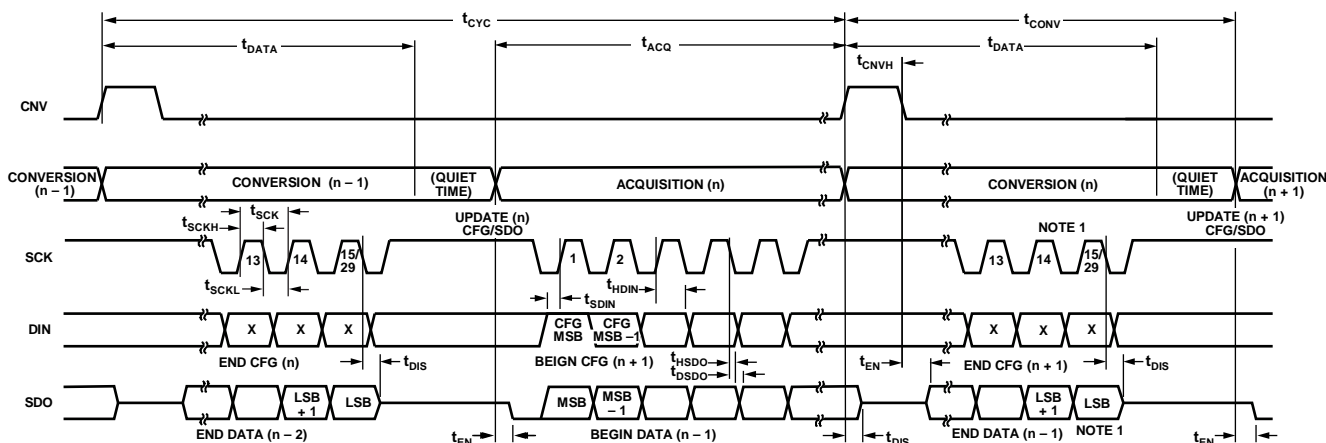


Figure 41. Connection Diagram for the AD7949 with a Busy Indicator



- NOTES:
- THE LSB IS FOR CONVERSION RESULTS OR THE CONFIGURATION REGISTER $CFG(n-1)$ IF 14 SCK FALLING EDGES = LSB OF CONVERSION RESULTS.
28 SCK FALLING EDGES = LSB OF CONFIGURATION REGISTER.
ON THE 15TH OR 29TH SCK FALLING EDGE, SDO IS DRIVEN TO HIGH IMPEDANCE. OTHERWISE, THE LSB REMAINS ACTIVE UNTIL THE BUSY INDICATOR IS DRIVEN LOW.

Figure 42. Serial Interface Timing for the AD7949 with a Busy Indicator

APPLICATION HINTS

LAYOUT

The printed circuit board (PCB) that houses the AD7949 should be designed so that the analog and digital sections are separated and confined to certain areas of the board. The pinout of the AD7949, with all its analog signals on the left side and all its digital signals on the right side, eases this task.

Avoid running digital lines under the device because these couple noise onto the die unless a ground plane under the AD7949 is used as a shield. Fast switching signals, such as CNV or clocks, should not run near analog signal paths. Avoid crossover of digital and analog signals.

At least one ground plane should be used. It can be common or split between the digital and analog sections. In the latter case, the planes should be joined underneath the AD7949.

The AD7949 voltage reference input REF has a dynamic input impedance and should be decoupled with minimal parasitic

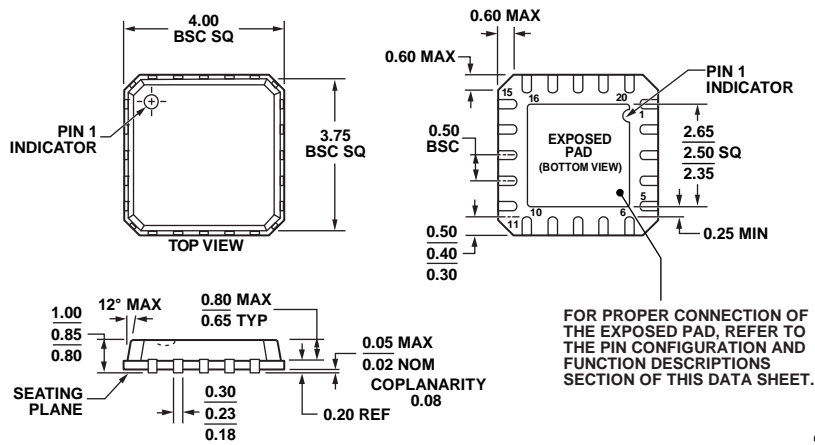
inductances. This is done by placing the reference decoupling ceramic capacitor close to, ideally right up against, the REF and GND pins and connecting them with wide, low impedance traces.

Finally, the power supplies VDD and VIO of the AD7949 should be decoupled with ceramic capacitors, typically 100 nF, placed close to the AD7949, and connected using short, wide traces to provide low impedance paths and to reduce the effect of glitches on the power supply lines.

EVALUATING AD7949 PERFORMANCE

Other recommended layouts for the AD7949 are outlined in the documentation of the evaluation board for the AD7949 ([EVAL-AD7949EDZ](#)). The evaluation board package includes a fully assembled and tested evaluation board, documentation, and software for controlling the board from a PC via the converter and evaluation development data capture board, [EVAL-CED1Z](#).

OUTLINE DIMENSIONS



COMPLIANT TO JEDEC STANDARDS MO-220-VGGD-1
 Figure 43. 20-Lead Lead Frame Chip Scale Package (LFCSP_VQ)
 4 mm × 4 mm Body, Very Thin Quad
 (CP-20-4)
 Dimensions shown in millimeters

ORDERING GUIDE

| Model | Temperature Range | Package Description | Package Option | Ordering Quantity |
|-----------------------------|-------------------|---------------------|----------------|-------------------|
| AD7949BCPZ ¹ | -40°C to +85°C | 20-Lead LFCSP_VQ | CP-20-4 | Tray, 490 |
| AD7949BCPZRL7 ¹ | -40°C to +85°C | 20-Lead LFCSP_VQ | CP-20-4 | Reel, 1,500 |
| EVAL-AD7949EDZ ¹ | | Evaluation Board | | |
| EVAL-CED1Z ^{1,2} | | Controller Board | | |

¹ Z = RoHS Compliant Part.

² This controller board allows a PC to control and communicate with all Analog Devices evaluation boards whose model numbers end in ED.

AD7949

NOTES

NOTES

AD7949

NOTES