

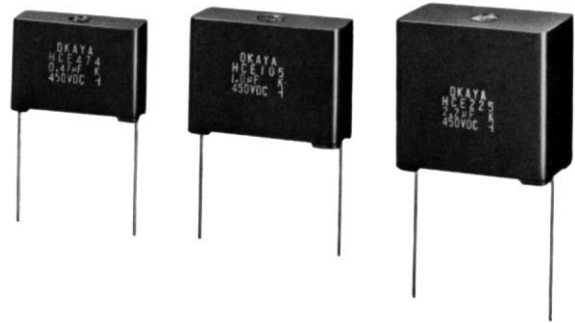


Features

- Compact size, resin case.
- Improved safety and suppressing self heating.

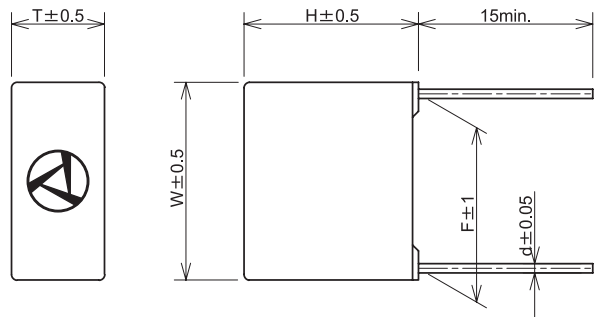
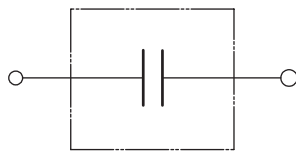
Applications

- Switching power supply, Inverter and Servo power.



Dimensions

Circuit



Unit: mm

Electrical Specifications

Operating Temperature: -40 ~ +105°C

PART NO.	Rated Voltage		450V					630V					Dissipation factor	Test voltage	Insulation resistance
	Capacitance	μF	W	T	H	F	d	W	T	H	F	d			
104	0.1						0.8	17.0	8.0	15.0	15.0	0.01max (at 1000±100Hz)	Rated Voltage × 1.75 (2~5sec)	15000MΩ min.	
154	0.15					25.0		6.5	16.0	22.5					
224	0.22	17.0	8.0	15.0	15.0	25.0		8.0	17.5	22.5					
334	0.33	25.0	6.5	16.0	22.5	25.0		10.0	19.5	22.5					
474	0.47	25.0	8.0	17.5	22.5	30.0		11.0	22.0	27.5					
684	0.68	25.0	10.0	19.5	22.5	30.0		13.5	24.5	27.5					
105	1.0	30.0	11.0	22.0	27.5	30.5		16.0	28.0	27.5	5000ΩF min. (at 20°C 100Vdc)				
155	1.5	30.0	13.5	24.5	27.5	41.0		15.5	28.0	37.5				1.0	
225	2.2	30.5	16.0	28.0	27.5	41.0		17.5	32.5	37.5					

● Model Numbering System

