



TAI-SAW TECHNOLOGY CO., LTD.

No. 3, Industrial 2nd Rd., Ping-Chen Industrial District,
Taoyuan, 324, Taiwan, R.O.C.

TEL: 886-3-4690038 FAX: 886-3-4697532

E-mail: tstsales@mail.taisaw.com Web: www.taisaw.com

Approval Sheet For Product Specification

Issued Date:

Product Name: SAW Filter 38.912 MHz SMD 9.1 X 4.8 mm

TST Parts No.:TB0199A

Customer Parts No.:_____

Company:_____
Division:_____
Approved by :_____
Date:_____

Checked by:_____ Jacky Huang

Approval by:_____ Vincent Lee

Date:_____ 2004/8/26



TAI-SAW TECHNOLOGY CO., LTD.

No. 3, Industrial 2nd Rd., Ping-Chen Industrial District,
Taoyuan, 324, Taiwan, R.O.C.

TEL: 886-3-4690038 FAX: 886-3-4697532

E-mail: tstsales@mail.taisaw.com Web: www.taisaw.com

SAW Filter 38.912 MHz

MODEL NO.:TB0199A

REV. NO.:3.0

A. MAXIMUM RATING:

- 1.Input Power Level: 10 dBm
- 2.DC voltage: 10 V
- 3.Operating Temperature: -30°C to +85°C
- 4.Storage Temperature: -30°C to +85°C

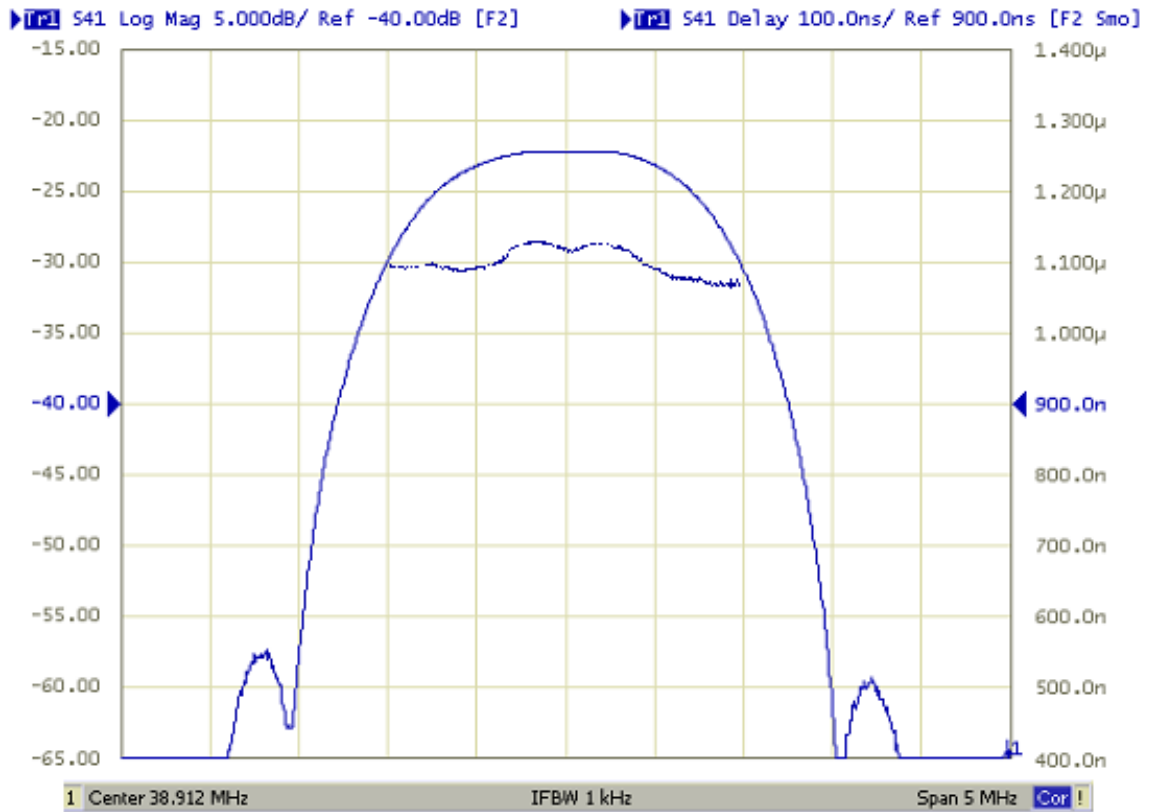
RoHS Compliant
Lead free
Lead-free soldering

B. ELECTRICAL CHARACTERISTICS:

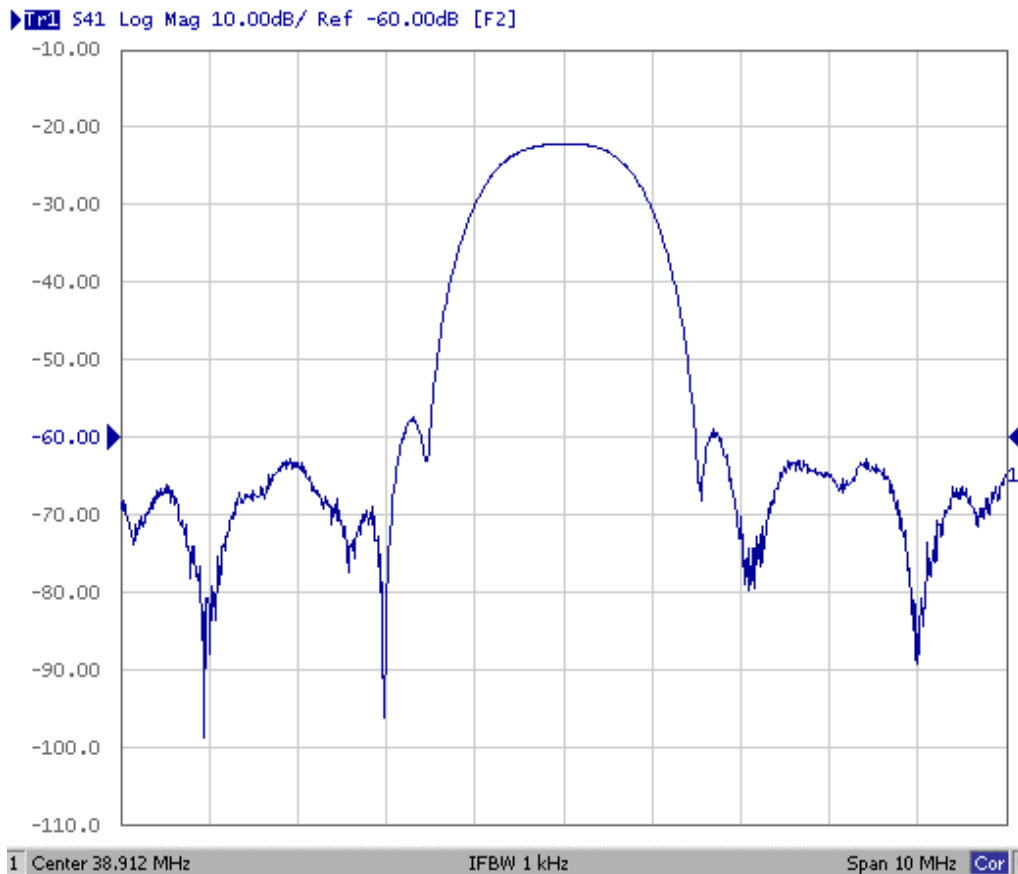
Item	Min.	Typ.	Max.	Note
Center frequency F_c (MHz)	38.812	38.912	39.012	
Insertion Loss (dB) IL_{min}	-	22.5	25.0	
Pass bandwidth (relative to IL_{min}) BW_3 (MHz)	1.40	1.50	-	
Pass bandwidth (relative to IL_{min}) BW_{30} (MHz)	-	2.85	3.00	
Attenuation:(relative to IL_{min}) (dB)				
30.00~36.26 MHz (dB)	35.0	40.0	-	
36.26~37.30 MHz (dB)	33.0	37.0	-	
40.60~41.40 MHz (dB)	35.0	40.0	-	
41.40~50.00 MHz (dB)	35.0	38.0	-	
Group Delay Variation:				
38.16~39.66 MHz (nsp-p)	-	80	200	
Temperature coefficient (ppm/K)	-	-20	-	

C. FREQUENCY CHARACTERISTICS:

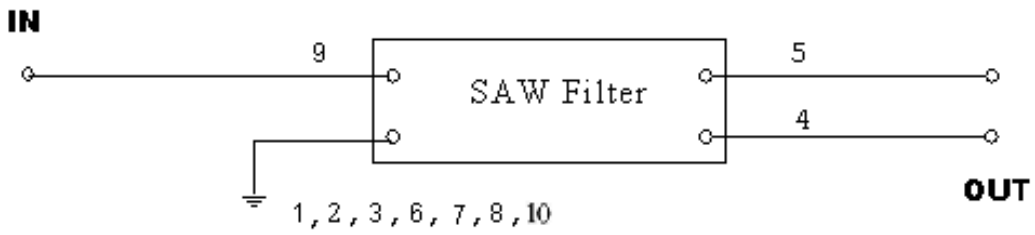
1. Group delay:



2. S21 Response:

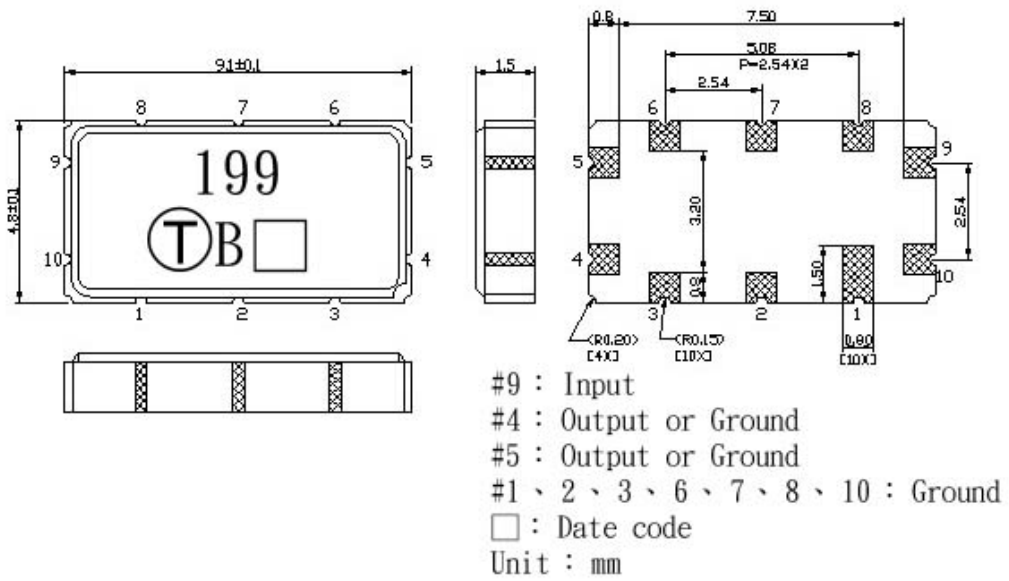


D. MEASUREMENT CIRCUIT:



In/out Impedance = $50\Omega / 50\Omega$

E. OUTLINE DRAWING:



F. PCB FootPrint

