

# HF PRO

## High flow proportional solenoid valve

### FEATURES

- 2-way normally closed
- Capable of 60 lpm flow and pressures up to 50 psig
- Face seal manifold mount or barbed body options
- Proven performance to 35 million life cycles
- Driven with DC current or pulse width modulation (recommended >30 KHz)



### MEDIA COMPATIBILITY

Air, argon, helium, hydrogen, methane, nitrogen, oxygen & others

### ELECTRICAL

Power max. 3 W  
2.25 W at 68 °F (20 °C)

Voltage<sup>1</sup> max. 5, 12, or 24 V<sub>DC</sub>

#### Notes:

1. Max. voltage for continuous full flow, ambient temp. 55°C.

### PHYSICAL PROPERTIES

Operating environment	0 to 50 °C
Storage temperature	-40 to 70 °C
Length	45.3 mm (1.785 in)
Width	16.5 mm (0.625 in)
Height	17 mm (0.67 in)
Porting	Manifold mount; barbed body (5 mm (0.195") ID Tube)
Weight	63 g (2.2 oz)
Internal volume	0.508 cm <sup>3</sup> (0.031 in <sup>3</sup> )
Filtration (recommended)	43 µm
Lubrication	None required
Oxygen clean	

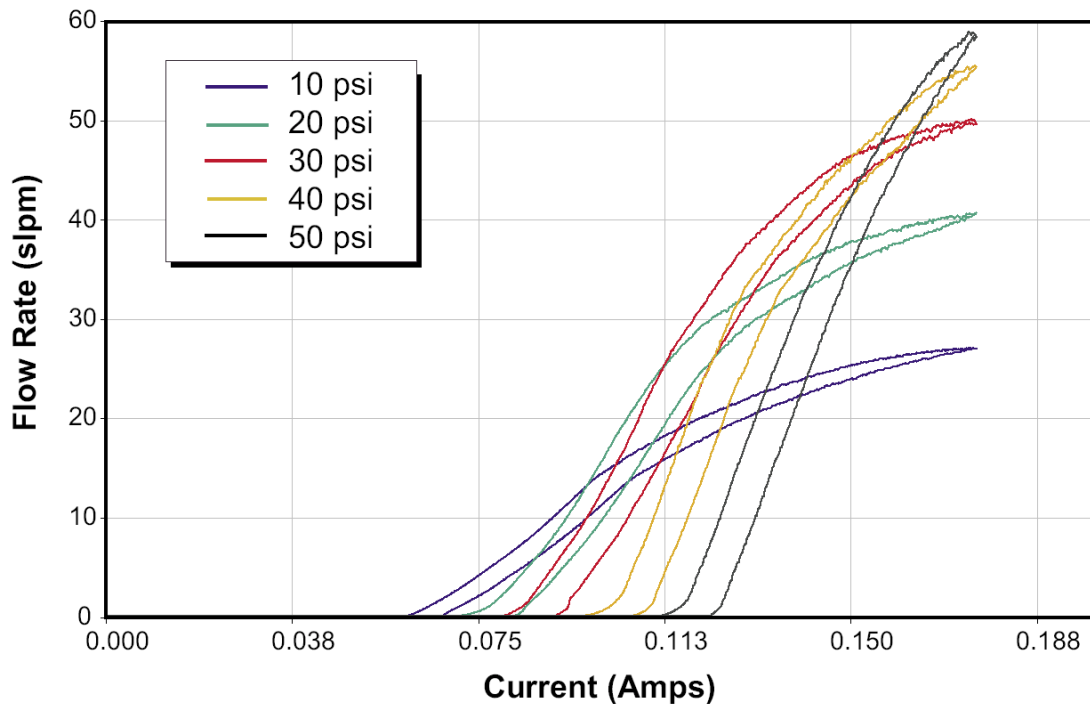
# HF PRO

## High flow proportional solenoid valve

### PERFORMANCE CHARACTERISTICS

Part no.	Pressure	Vacuum	Orifice sizes	Leak rate <sup>2,3</sup>	Response
HFPRO7...	0...50 psid	0...27 "Hg (0...915 mbar)	0.070" (1.8 mm)	≤0.5 sccm of nitrogen at 1 and 10 psi	<30 msec cycling

### FLOW CURVES<sup>4</sup>



#### Notes:

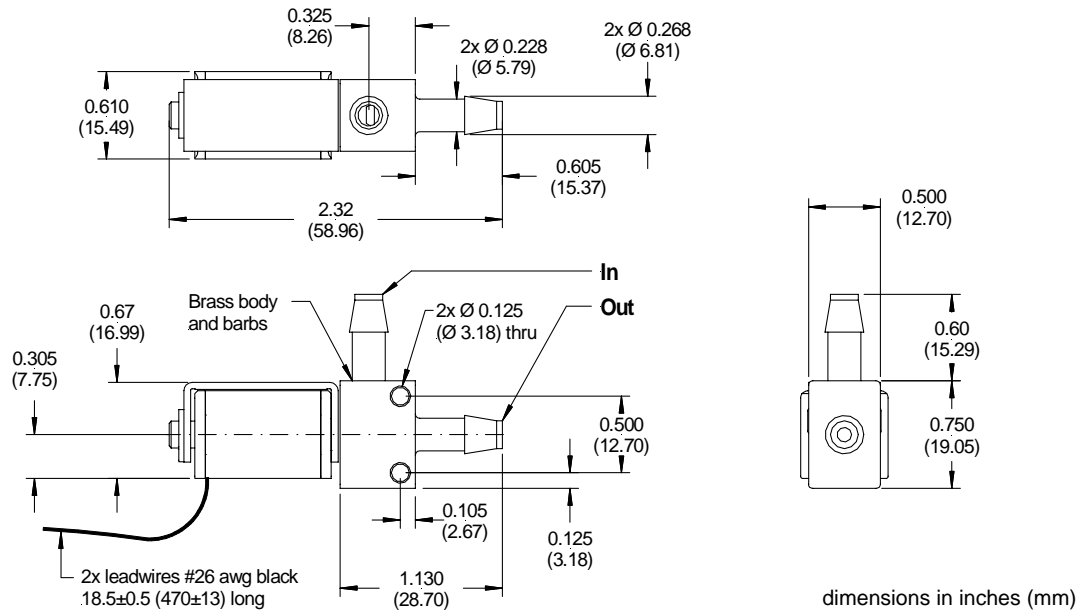
2. Low differential pressure represents the worst case condition due to the reverse flow (pressure-assist) nature of the valve.
3. sccm denotes Standard Cubic Centimeters per Minute. It is a unit for the flow rate at standard conditions of temperature and pressure. 1000 sccm = 1 slpm.
4. slpm denotes Standard Liters per Minute. It is a unit for the flow rate at standard conditions of temperature and pressure. 1 slpm = 1000 sccm.

# HF PRO

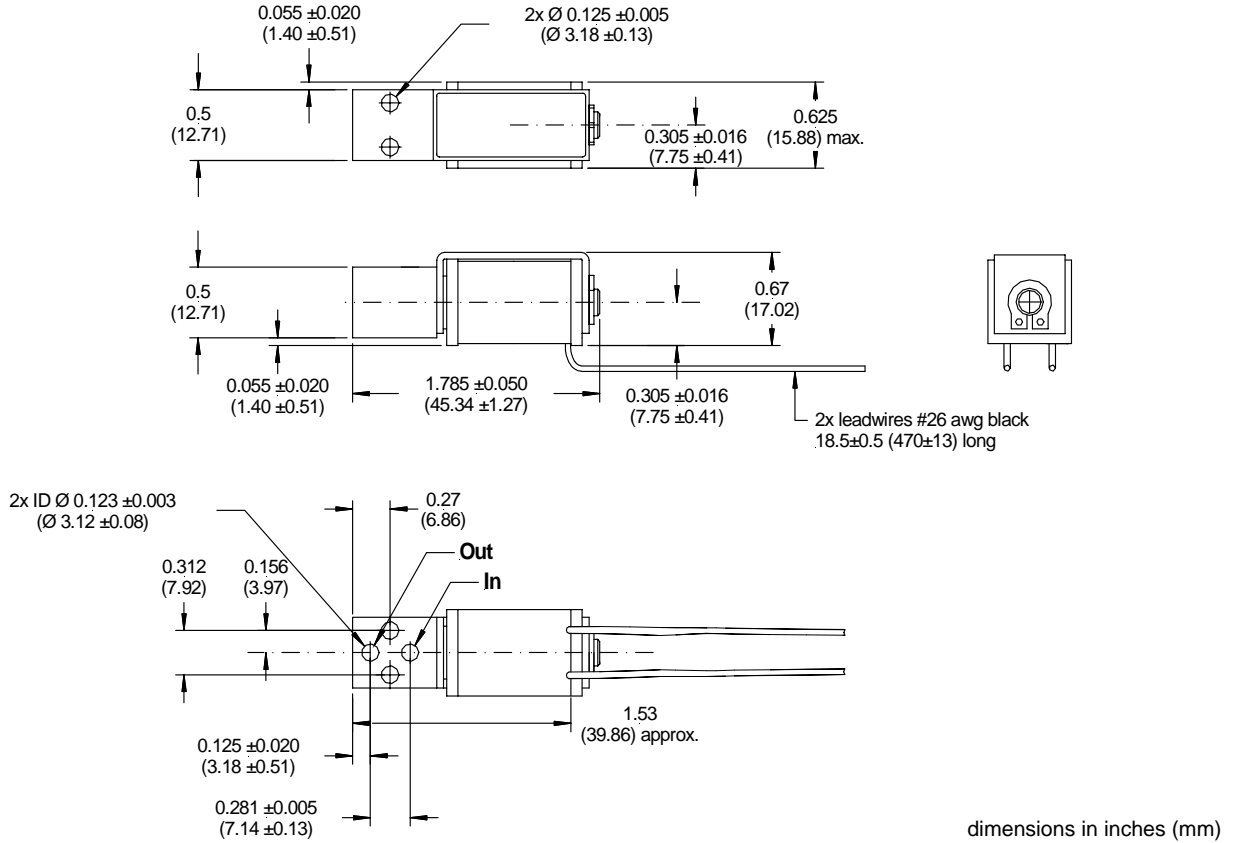
## High flow proportional solenoid valve

### OUTLINE DRAWING

#### Barbed body



#### Manifold mount



# HF PRO

## High flow proportional solenoid valve

---

### ORDERING INFORMATION

Options	Series	Model no.		Elastomer	Coil selection		Electrical interface	Pneumatic interface	Cleaning	
		Max. pressure	Orifice size		Max. voltage*	Resistance				
	HFPRO	7:	50 psid	0.070" (1.8 mm)	V: FKM	A: 5 V <sub>DC</sub>	11 Ω	F: wire leads, 18"	1: manifold mount	O: oxygen service
						D: 12 V <sub>DC</sub>	68 Ω		8: barbed body	
						F: 24 V <sub>DC</sub>	247 Ω			
						* max. voltage for continuous full flow, ambient temp. 55°C				
Sample order no:	HFPRO	7			V	A		F	8	O

**Note: Not all combinations might be available. Please contact your nearest Sensortechincs sales representative for further information.**

Sensortechincs reserves the right to make changes to any products herein. Sensortechincs does not assume any liability arising out of the application or use of any product or circuit described herein, neither does it convey any license under its patent rights nor the rights of others.