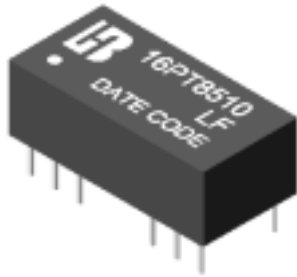




10/100 BASE-T TRANSFORMER

**P/N:16PT8510 LF DATA SHEET**

**Feature**



- Designed for 10/100 MB/s transmission over UTP-5 cable.
- Cable interface for isolation and low common mode Emissions.
- Tested & qualified for use with national semiconductor's DP83840 Ethernet 10/100 PHY chip.
- 16-PIN DIP package for economic cost.
- Lead free for external pins.
- Operating Temperature range: 0°C to +70°C.
- Storage temperature range: -25°C to +105°C.

**Electrical Specifications @ 25°C**

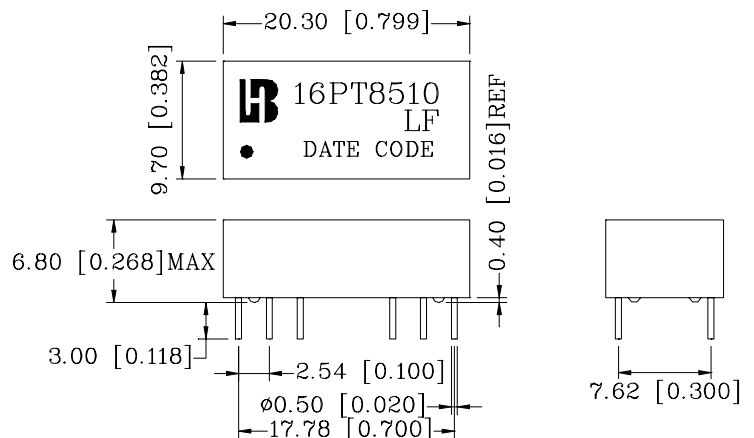
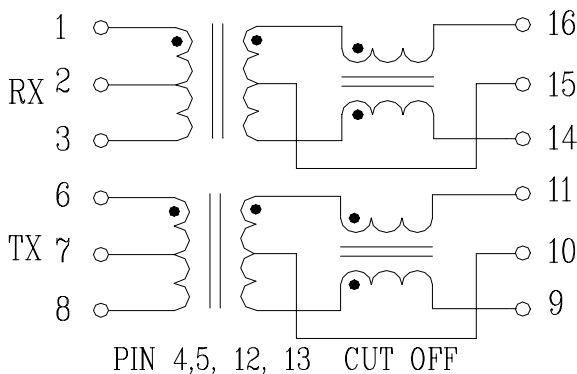
Part Number	Turns Ratio (±5%)		OCL (uH Min) @ 100KHz/0.1V with 8mA/DC Bias	Rise Time (10-90%) nS TYP	HI-POT (Vrms)
	TX	RX			
16PT8510 LF	1CT:1CT	1CT:1CT	350	2.5	1500

**Continue**

Part Number	Insertion Loss (dB Max)	Return Loss (dB Min)					Cross talk (dB Min)		DCMR (dB Min) TX/RX		
		0.3-100 MHz	30MHz	40MHz	50MHz	60MHz	80MHz	0.3-60MHz	60-100MHz	30MHz	60MHz
16PT8510 LF	-1.15	-16	-14	-13.5	-13	-12	-45	-35	-40	-30	-25

**Schematic**

**Mechanical**



Units: mm[Inches] Tolerances: xx.x0±0.25[0.010]  
0.xx±0.05[0.002]