



**Features**

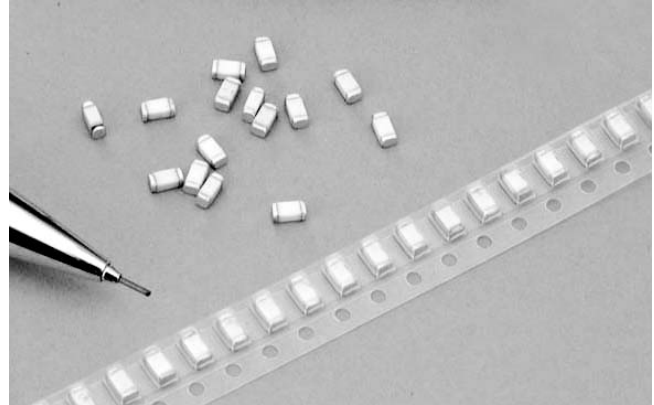
- Protection from electrostatic surge.
- Surface mounted Gas Arrester.
- IEC-61000-4-5.
- Micro-Gap design.
- Electrostatic capacitance less than 0.3pF.

**Applications**

- Antenne protection, Telecom protection, xBase T protection, Hub protection, Security systems, Data acquisition and Audio systems.

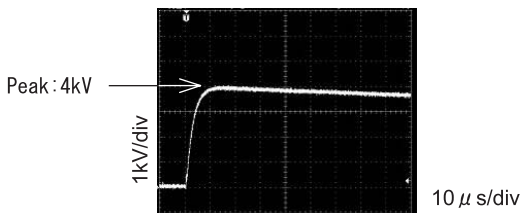


|                          |        |            |
|--------------------------|--------|------------|
| Safety Agency : Standard |        | Report NO. |
| UL                       | UL497B | E139599    |



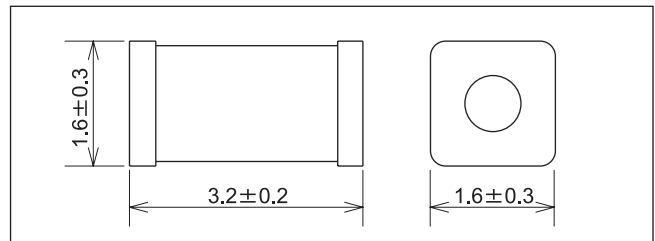
**Impulse Absorption Characteristics**

Impulse wave form 10/700μs-4kV, IEC61000-4-5

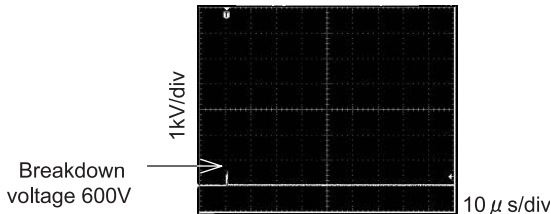


*Dimensions*

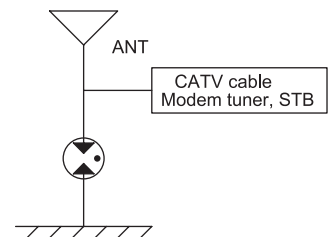
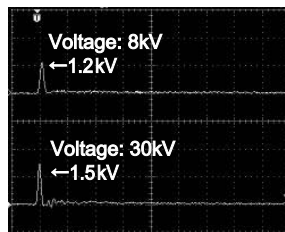
Unit: mm



RHCA-201Q43U



IEC61000-4-2 150pF-330Ω-XkV  
RHCA-201Q31B/U ESD impulse wave form



**Electrical Specifications**

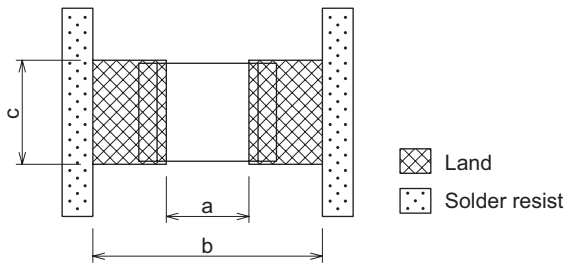
| Safety Agency | Model Number | DC Spark-over voltage | Insulation Resistance | Electrostatic Capacitance (1MHz-1.0V) | Impulse Discharge Current | Impulse Life Test    | Impulse Withstand Voltage Capacity                                   |
|---------------|--------------|-----------------------|-----------------------|---------------------------------------|---------------------------|----------------------|--|
|               | RHCA-900Q31U | 90V (63~117)          | 100MΩ Min. (DC50V)    | 0.3pF Max.                            | 8/20μs 500A               | 8/20μs 50A 300 times | 10/700μs 4kV (R=25Ω)<br>Positive/Negative 5 times (comform to ITU-T) |
|               | RHCA-201Q31U | 200V (140~260)        | 100MΩ Min. (DC100V)   |                                       |                           |                      |  |
|               | RHCA-301Q31U | 300V (210~390)        |                       |                                       |                           |                      |  |
|               | RHCA-401Q31U | 400V (280~520)        |                       |                                       |                           |                      |  |
|               | RHCA-501Q31U | 500V (350~650)        |                       |                                       |                           |                      |  |



**Part Numbering Systems**

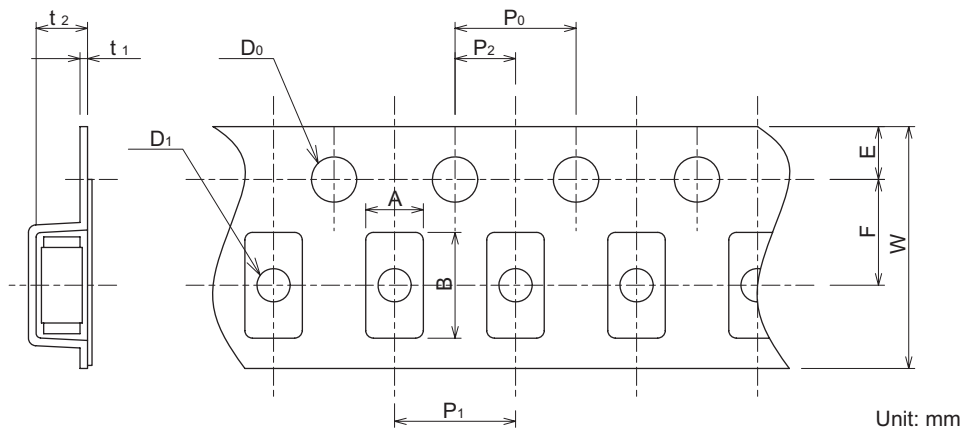
|        |   |           |       |                 |              |
|--------|---|-----------|-------|-----------------|--------------|
| RHCA   | 201                                       | Q         |       | 31              | U            |
| Series | DC Breakdown Voltage<br>201: 201X10 =200V | Tolerance |       | Size            | Packing form |
|        |   | P         | Q     | 31              | U            |
|        |   | ± 20%     | ± 30% | 3.2(L) × 1.6(W) | Taping       |

● Recommended Land Pattern



|                  | Dimensions (mm) |           |           |
|------------------|-----------------|-----------|-----------|
|                  | a               | b         | c         |
| Reflow Soldering | 1.8 ~ 2.5       | 3.8 ~ 5.5 | 1.2 ~ 2.0 |
| Flow Soldering   | 1.8 ~ 2.5       | 2.4 ~ 3.6 | 1.2 ~ 1.6 |

● Taping Dimensions

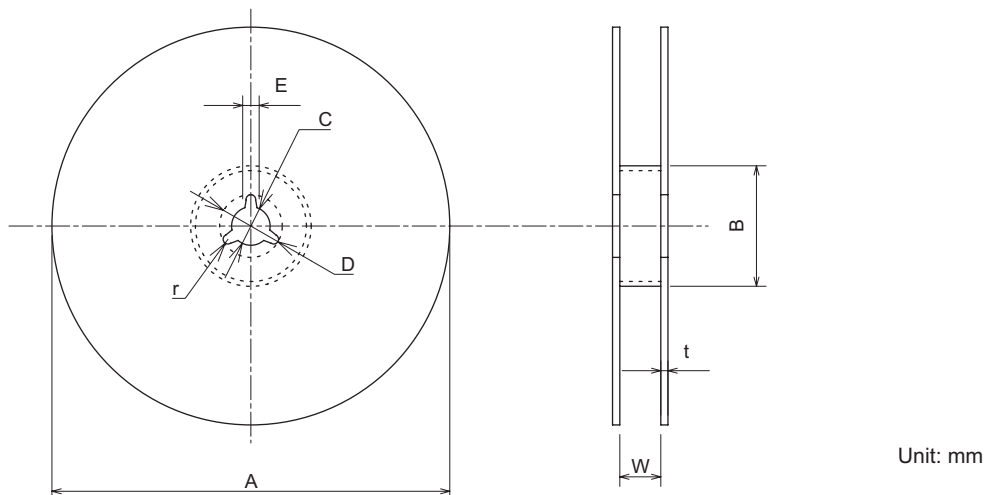


| A         | B         | W         | F          | E          | P <sub>1</sub> | P <sub>2</sub> | P <sub>0</sub> |
|-----------|-----------|-----------|------------|------------|----------------|----------------|----------------|
| 1.9 ± 0.1 | 3.5 ± 0.1 | 8.0 ± 0.3 | 3.5 ± 0.05 | 1.75 ± 0.1 | 4.0 ± 0.1      | 2.0 ± 0.05     | 4.0 ± 0.1      |

| D <sub>0</sub>                    | D <sub>1</sub> | t <sub>1</sub> | t <sub>2</sub> |
|-----------------------------------|----------------|----------------|----------------|
| 1.5 <sup>+0.1</sup> <sub>-0</sub> | 1.1 ± 0.1      | 0.25 ± 0.05    | 1.7 ± 0.1      |

● Reel Dimensions  
(2000pcs per one reel)



| A                                 | B                                | C          | D        | E         | W                                   | t         | r   |
|-----------------------------------|----------------------------------|------------|----------|-----------|-------------------------------------|-----------|-----|
| 180 <sup>+0</sup> <sub>-1.5</sub> | 60 <sup>+1.0</sup> <sub>-0</sub> | 13.0 ± 0.2 | 21 ± 0.8 | 2.0 ± 0.5 | 9.0 <sup>+1.0</sup> <sub>-0.5</sub> | 1.6 ± 0.5 | 1.0 |