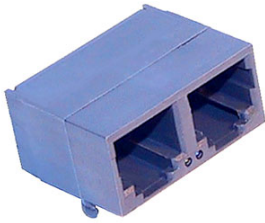


## EPJ5012

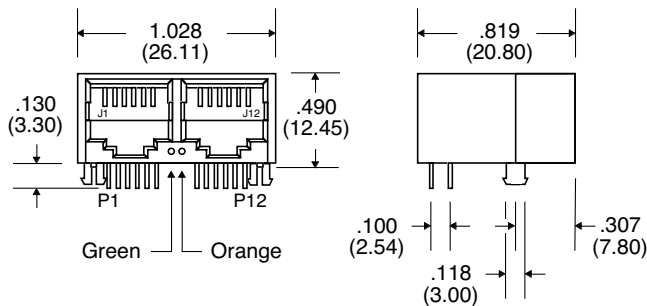


- Designed to work seamlessly with Connexant's CX24611 HomePNA 2.0 PHY/AFE
- Thermo Plastic PBT UL94V-0 Rated Connector Housing
- Space saving Dual-Port RJ-11 Connector
- Operating Temperature : 0°C to +70°C
- 1500 Vrms Isolation

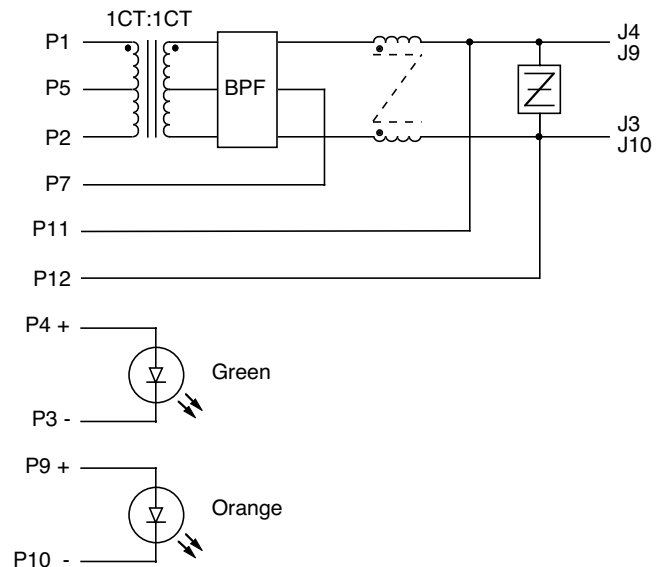
### Electrical Parameters @ 25° C

| Insertion Loss<br>(dB Max.) | Return Loss<br>(dB Min.) | Attenuation<br>(dB Min.) |          |          | CMDR<br>(dB Min.) |
|-----------------------------|--------------------------|--------------------------|----------|----------|-------------------|
|                             |                          | @ 1.1 MHz                | @ 22 MHz | @ 54 MHz |                   |
| 4.25 MHz- 9.75 MHz          | 4.25 MHz- 9.75 MHz       | @ 1.1 MHz                | @ 22 MHz | @ 54 MHz | @ 200 KHz- 22 MHz |
| -2.2                        | -8                       | -60                      | -35      | -50      | -40               |

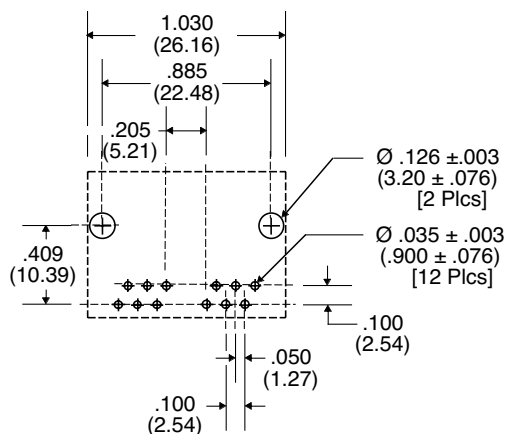
### Package



### Schematic



### Suggested Pad Layout



Unless Otherwise Specified Dimensions are in Inches /mm ± .010 / .25