

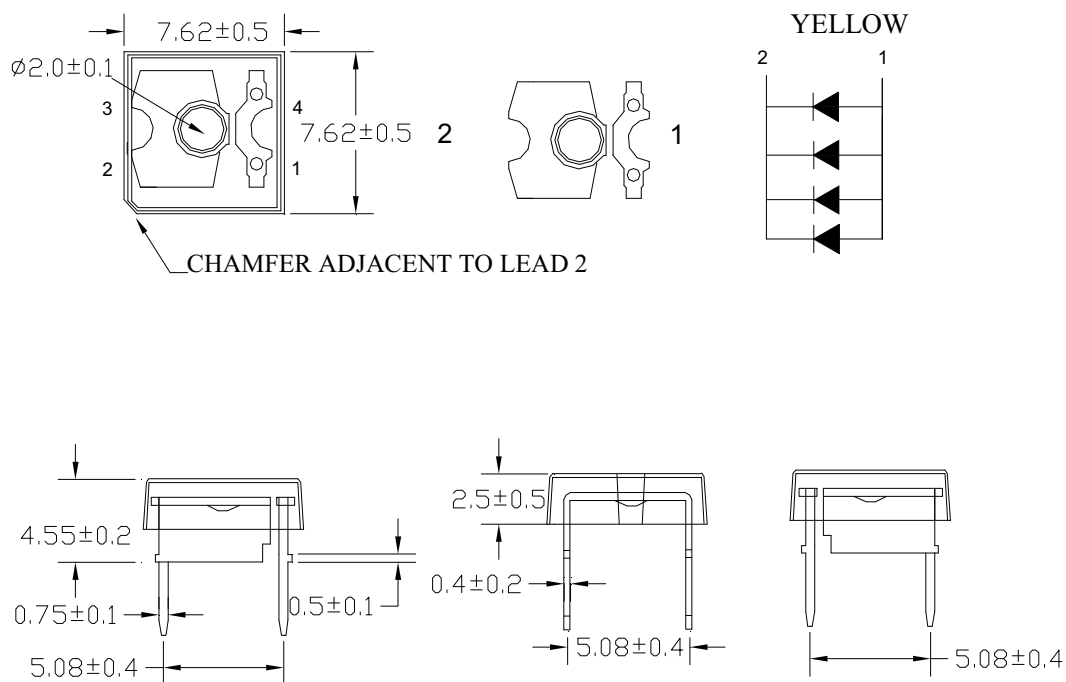
➤ **Fatures/特征:**

- Single color/单色
- High bright output/高亮度输出
- High Current Operation/高工作电流
- Low power consumption/低功耗
- High reliability and long life

可靠性高、寿命长

➤ **Descriptions:**

- Dice material:
YELLOW: AlGaInP
- Device Outline: 7.62mmX7.62mm
- Lens Type: White Diffused/无色散射



NOTE:

1. All dimensions are millimeters/单位: mm.
2. Tolerance is +/-0.25mm unless otherwise noted/
没有标注的公差均为±0.25mm.

➤ **Absolute maximum ratings/极限参数 (Ta = 25°C)**

| Parameter 参数 | Symbol 符号 | Test Condition 测试条件 | Values 数值 | | Unit 单位 |
|---------------------------------|-------------------|-------------------------|-----------|------|------------|
| | | | Min. | Max. | |
| Reverse Voltage 反向电压 | V _R | I _R = 30 μ A | 5 | ---- | V |
| Forward Current 正向工作电流 | I _F | ---- | ---- | 70 | mA |
| Power Dissipation 损耗功率 | P _d | ---- | ---- | 190 | mW |
| Pulse Current 正向峰值电流 | I _{peak} | Duty=0.1mS, 1kHz | ---- | 150 | mA |
| Operating Temperature 工作温度范围 | T _{opr} | ---- | -40 | +85 | °C |
| Storage Temperature 储存温度范围 | T _{str} | ---- | -40 | +100 | °C |

➤ **Electrical and optical characteristics/光电参数 (Ta = 25°C)**

| Parameter 参数 | Symbol 符号 | Test Condition 测试条件 | Values 数值 | | | Unit 单位 |
|-----------------------------------|----------------|------------------------|-----------|------|------|------------|
| | | | Min. | Typ. | Max. | |
| Forward Voltage 正向电压 | V _F | I _F = 80mA | ---- | 2.2 | 2.7 | V |
| Reverse Current 反向电流 | I _R | V _R = 5V | ---- | ---- | 30 | μ A |
| Dominate Wavelength 主波长 | λ _d | I _F = 80mA | ---- | 590 | ---- | nm |
| Peak Wavelength 峰值波长 | λ _p | I _F = 80mA | ---- | 591 | ---- | nm |
| Spectral Line half-width 半波长宽度 | Δ λ | I _F = 80mA | ---- | 20 | ---- | nm |
| Luminous Flux 光通量 | I _v | I _F = 80mA | 1.3 | 2.2 | ---- | lm |

➤ **Typical electrical/optical characteristic curves/光电特性曲线:**

