



TAI-SAW TECHNOLOGY CO., LTD.

No. 3, Industrial 2nd Rd., Ping-Chen Industrial District,
Taoyuan, 324, Taiwan, R.O.C.

TEL: 886-3-4690038 FAX: 886-3-4697532

E-mail: tstsales@mail.taisaw.com Web: www.taisaw.com

Approval Sheet For Product Specification

Issued Date:

Product Name: SAW Filter 1176.45MHz SMD 3.0×3.0mm

TST Parts No.: TA0675A

Customer Parts No.: _____

Company: _____
Division: _____
Approved by : _____
Date: _____

Checked by: _____ Asin Lin

Approval by: _____ Francis Chen

Date: _____ 2007/04/16



TAI-SAW TECHNOLOGY CO., LTD.

No. 3, Industrial 2nd Rd., Ping-Chen Industrial District,
Taoyuan, 324, Taiwan, R.O.C.

TEL: 886-3-4690038 FAX: 886-3-4697532

E-mail: tstsales@mail.taisaw.com Web: www.taisaw.com

SAW Filter 1176.45 MHz

MODEL NO.: TA0675A

REV. NO. 1

A. MAXIMUM RATING:

1. Input Power Level: 10 dB_m
2. DC voltage: 7.5 V
3. Operating Temperature: -40°C to 85°C
4. Storage Temperature: -40°C to +85°C

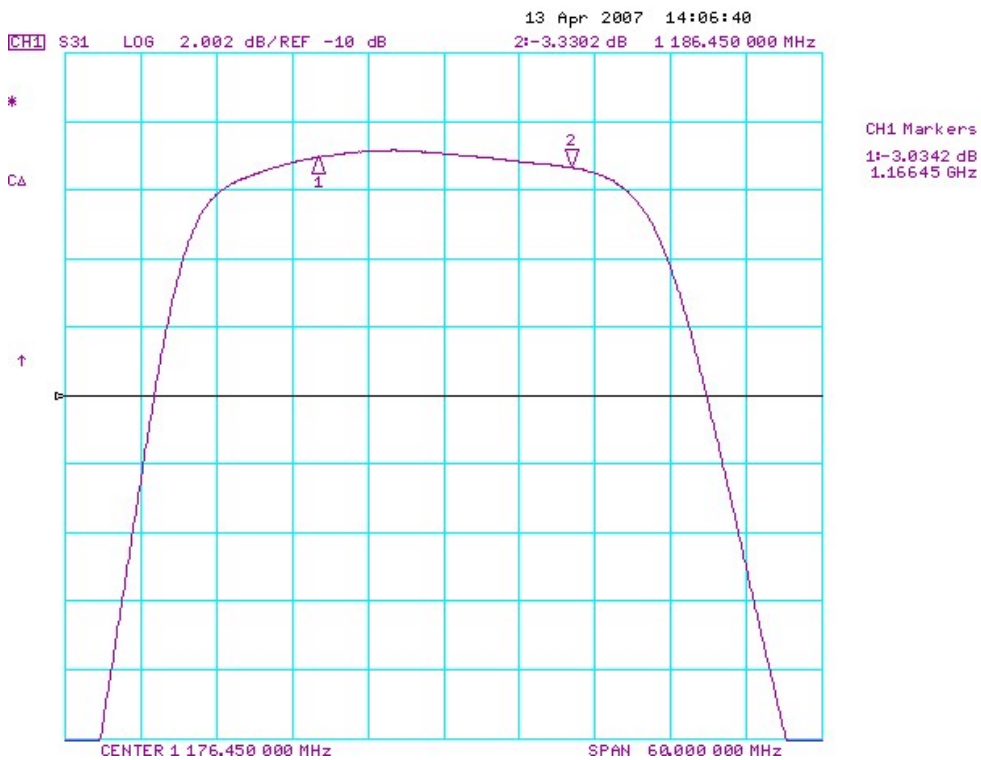
RoHS Compliant
Lead free
Lead-free soldering

B. CHARACTERISTICS:

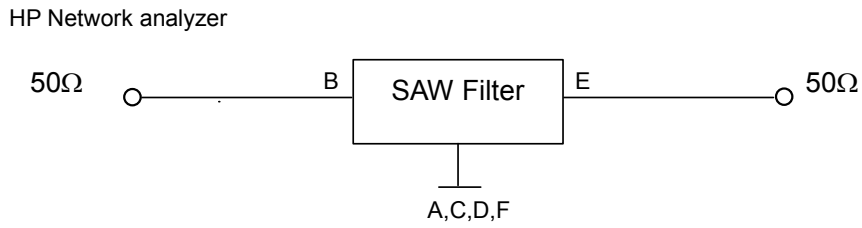
Characteristics			Specification			Note
			Min.	Typ.	Max.	
Center frequency	F _c	MHz	-	1176.45	-	-
Insertion loss	1166.45~1186.45 MHz	I.L. dB	-	3.3	4.1	-
Ripple	1166.45~1186.45 MHz	I.L. dB	-	1.0	1.5	-
VSWR	1166.45~1186.45 MHz		-	1.5	2.0	
Attenuation: (Reference level from 0 dB)						
	1121.45 MHz	dB	30	42	-	-
	1231.45 MHz	dB	30	45	-	-
Source Impedance	Z _s	Ω	-	50	-	1
Load Impedance	Z _L	Ω	-	50	-	1

Note1. No matching network required for operation at 50Ω

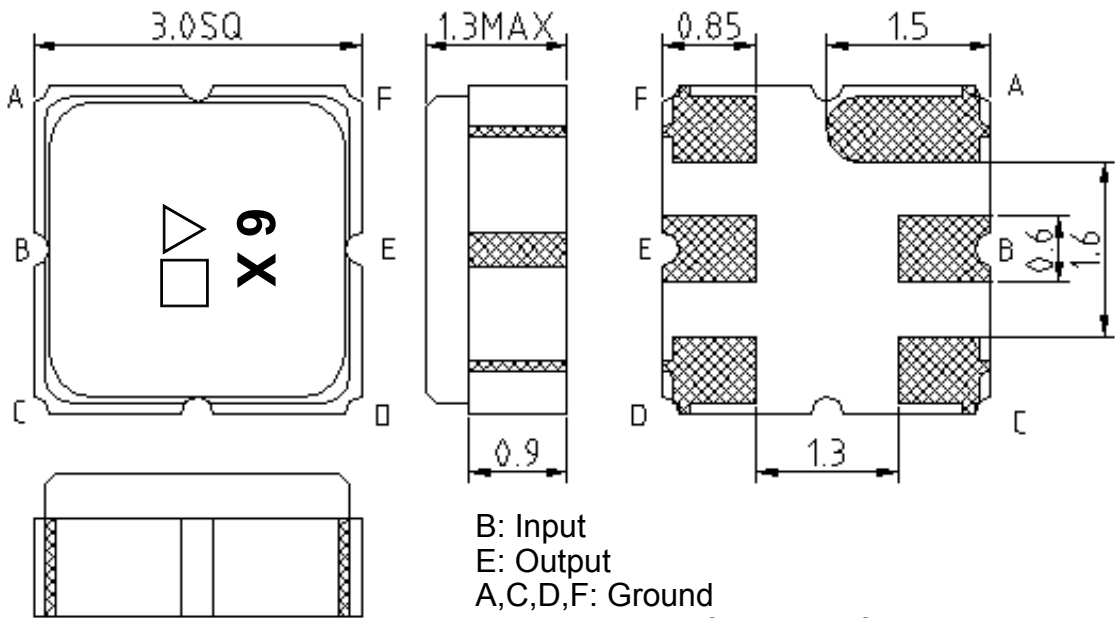
C. TRANSFER FUNCTION :



D. MEASUREMENT CIRCUIT:

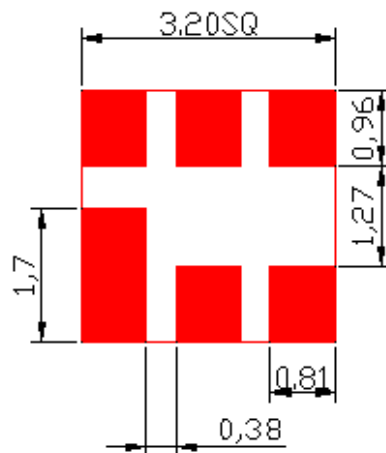


E. OUTLINE DRAWING:



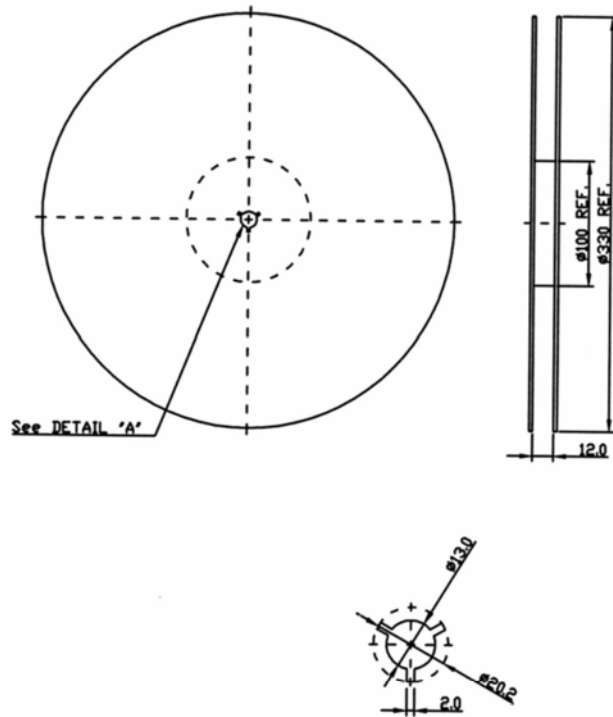
B: Input
 E: Output
 A,C,D,F: Ground
 △: Year code(7 for 2007,8 for 2008,...)
 □: Date code code (Provided by planer each year)
 Unit: mm

F.PCB FOOTPRINT:

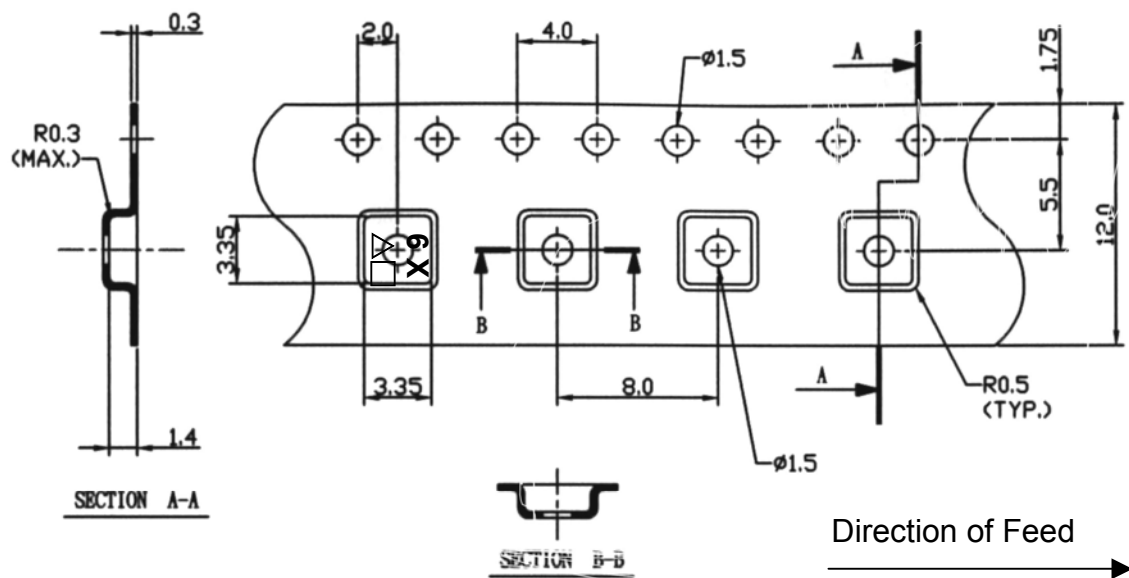


G. PACKING:

1. REEL DIMENSION



2. TAPE DIMENSION



H.RECOMMENDED REFLOW PROFILE:

