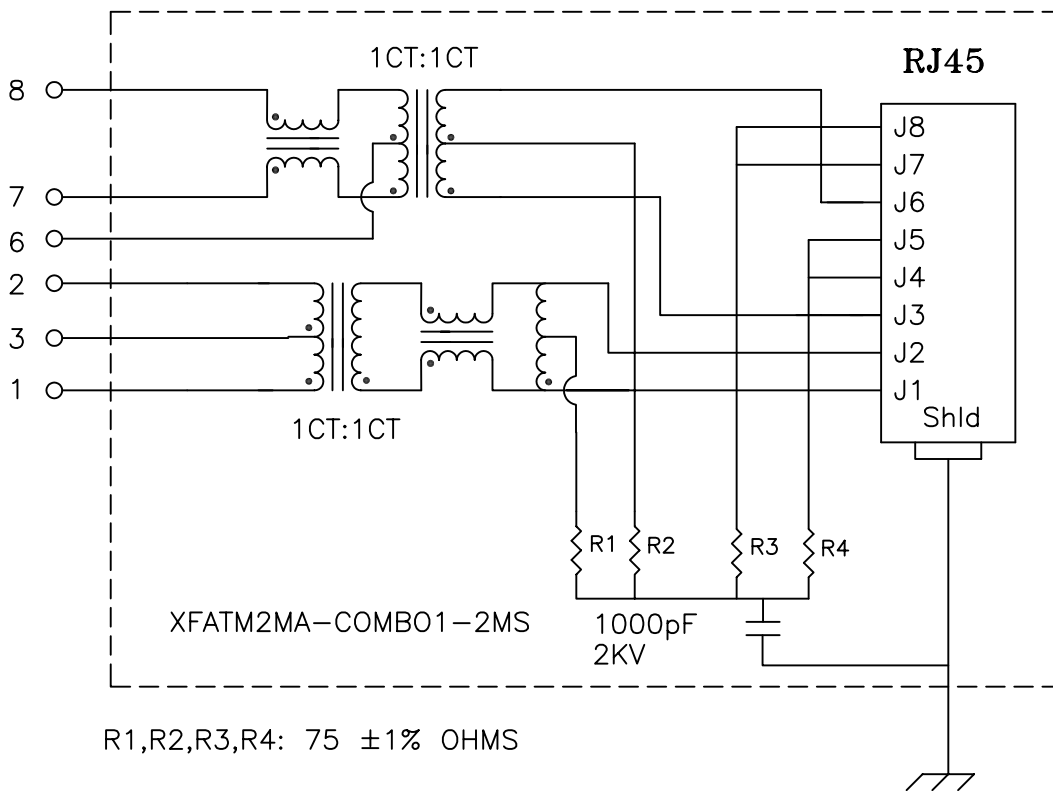


**Schematic:**

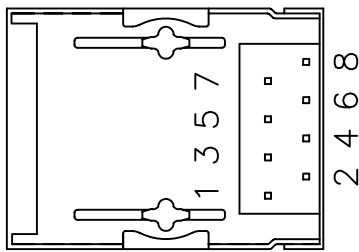
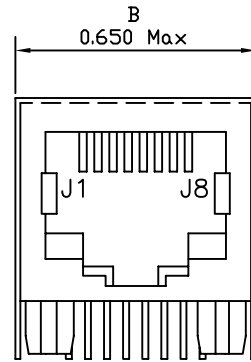
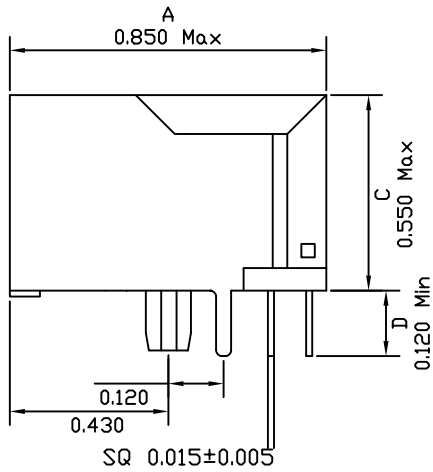


**Electrical Specifications: @25°C**

- Isolation Voltage: 1500 Vac
- Isolation Voltage: 500 Vac (6+7+8-2+3+4)
- UTP SIDE OCL: 350uH Min @100KHz 100mV 8mADC
- Rise Time (10-90%): 2.5ns Typical
- Insertion Loss (300KHz-100MHz): -1.1dB Maximum
- Insertion Loss (100MHz-125MHz): -1.5dB Maximum
- Return Loss: -12dB Typical @300KHz - 100MHz
- Crosstalk:
  - 100KHz-60MHz -40dB Typical
  - 60MHz-100MHz -38dB Typical
- Common Mode to Differential Mode Rejection:
  - 100KHz-60MHz -45dB Typ (Tx) / -40dB Typ (Rx)
  - 60MHz-100MHz -40dB Typ (Tx) / -35dB Typ (Rx)

<b>XFMRs Inc.</b>	Title: SINGLE PORT COMBO		
	UNLESS OTHERWISE SPECIFIED TOLERANCES: .xxx ±0.010 Dimensions in Inch	P/N: XFATM2MA-COMBO1-2MS	REV. A
		DWN. Buddy Woods	Apr-02-04
		CHK. Joe Huff	Apr-02-04
	APP. MS	Apr-02-04	

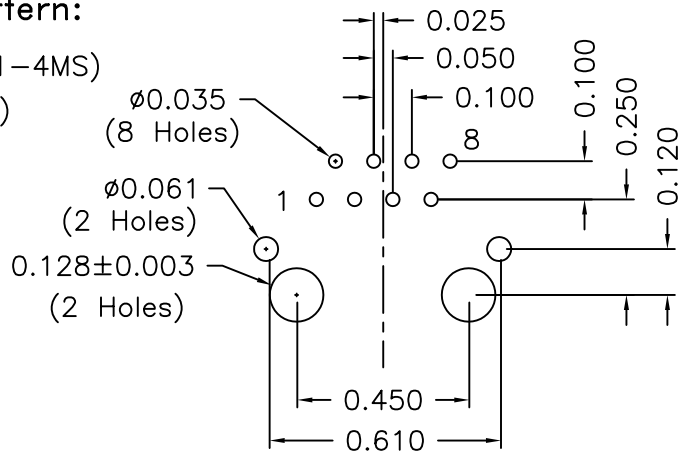
# Mechanical Dimensions:



(BOTTOM VIEW)

## Mounting Pattern:

(FOR COMBO1-4MS)  
(COMP SIDE)



**XFMRs Inc.**

Title: Mechanical Dimensions  
For COMBO1-2MS Series

UNLESS OTHERWISE SPECIFIED  
TOLERANCES:  
.xxx ±0.010  
Dimensions in Inch

XFATM2MA-COMBO1-2MS	REV. A
DWN.	Kang Chen Apr-02-04
CHK.	YK Liao Apr-02-04
APP.	MS Apr-02-04