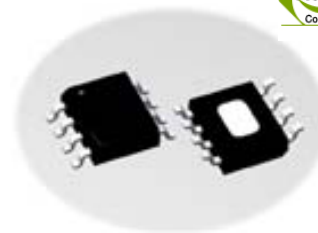


Product Features

- Passive Integration on Silicon
- Low Insertion Loss
- High Isolation
- Solder Pad
- Good Balance
- Low Cost
- Pb Free / RoHS Compliant

Application

- Repeater
- Base Station
- RF Sub-Systems



Description

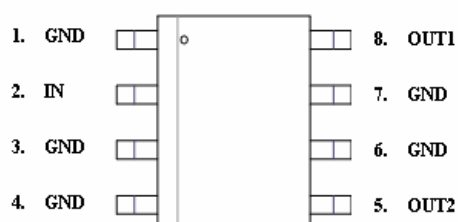
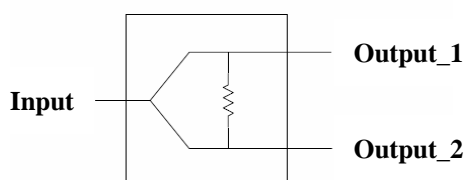
The 2 way power divider is low loss, high isolation, good matching, and phase / amplitude.

The PD09C2 is a monolithic two-way in phase hybrid junction tuned for the 720~960MHz band.

Specifications at 25 °C

PARAMETER	Units	Min	Typ	Max
Frequency Range	MHz	720		960
Insertion Loss	dB		0.3	0.5
Input Return Loss	dB	15	35	
Output Return Loss	dB	25	35	
Isolation	dB	15	27	
Phase difference	Deg.		1	3
Amplitude difference	dB		0.1	0.3
Remarks	MHz	900		

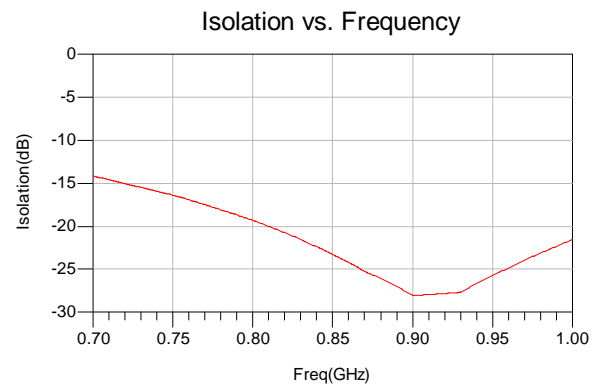
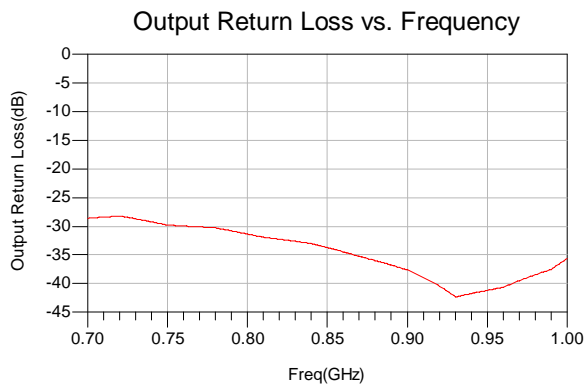
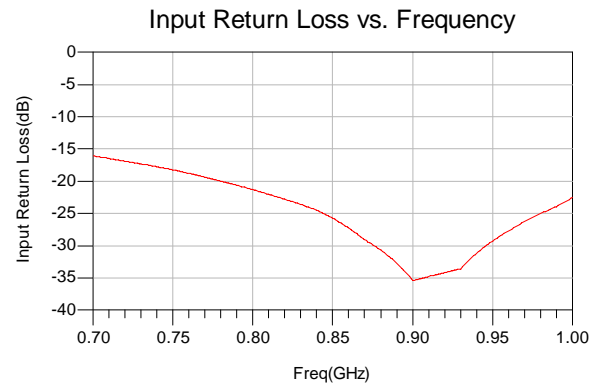
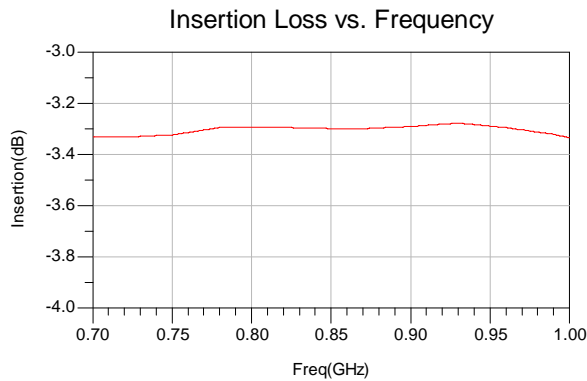
Block Diagram & Pin Out



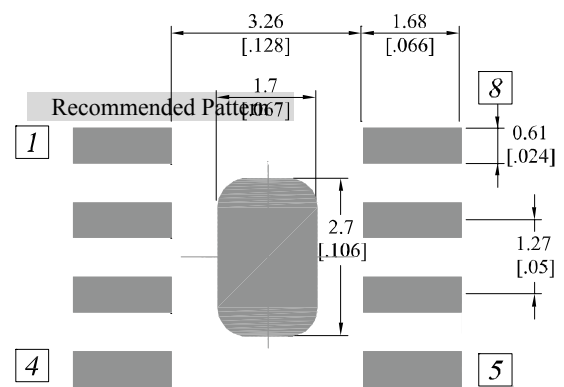
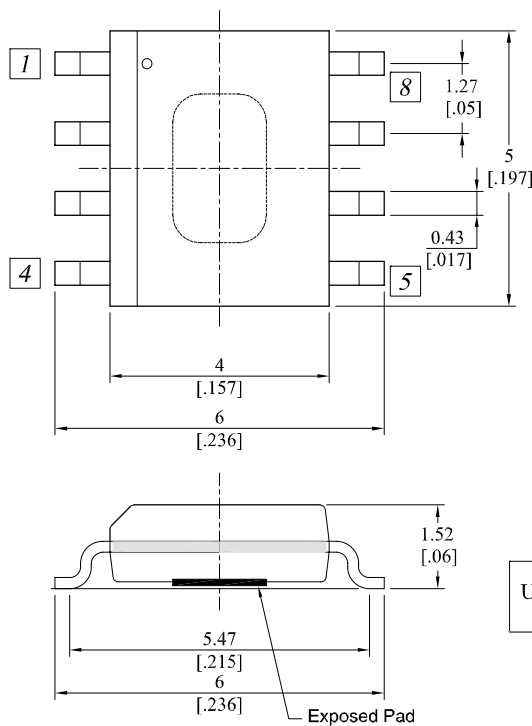
Absolute Maximum Ratings

Parameter	Value
Input Power	2 W
Operating Temperature	-40 ~ +85 °C
Storage Temperature	-65 ~ + 150 °C

Typical Performance Data at 25°C (SOIC-8 Package)



Package Dimensions (Type: SOIC-8)



Unit : mm	Tolerance : ± 0.2
[inch]	.008