



Data Sheet



Product Category: IF SAW Filter

Part Number	Package	Application	Last Modified
820-IF87.2M-A	20.18 x12.58mm	Base Station & Repeater	Apr 18, 2007

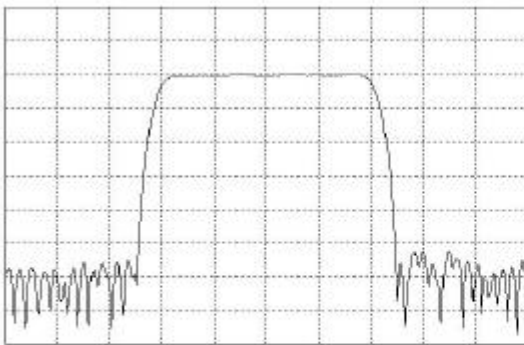
TYPE :

87.2 MHz Bandpass Filter

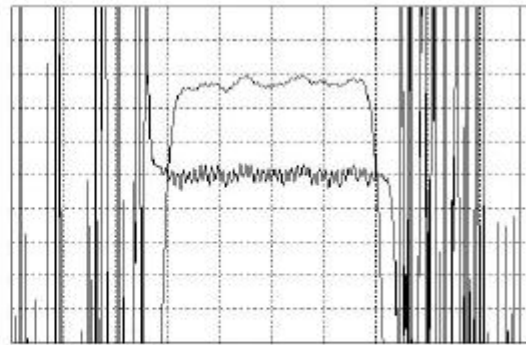
PART NUMBER :

820-IF87.2M-A

Frequency Response



Horizontal : 2.0 MHz/Div
Vertical : 10 dB/Div



Horizontal : 2.0 MHz/Div
Vertical : 1 dB/Div
Vertical : 100 ns/Div

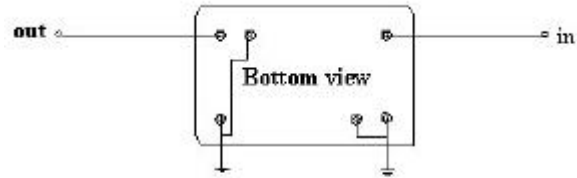
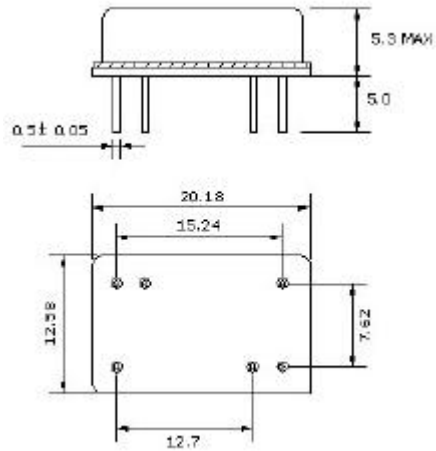
OPERATING CONDITIONS / ELECTRICAL CHARACTERISTICS

PARAMETERS	Minimum	Typical	Maximum	Units
Center Frequency	87.14	87.20	87.26	MHz
Insertion Loss	-	20.5	24.0	dB
Source Impedance (single ended)*	-	50	-	ohm
Load Impedance (single ended)*	-	50	-	ohm
Bandwidth 1.0 dB	-	7.6	-	MHz
Bandwidth 3.0 dB	7.8	8.0	-	MHz
Bandwidth 40.0 dB	-	9.7	9.8	MHz
Passband Ripple (Fo +/- 3MHz)	-	0.5	1.0	dB
Group Delay Variation	-	70	150	nsec
Absolute Delay	-	2.28	-	µsec
Substrate Material	-	LN	-	-
Ambient Temperature	-	25	-	°C
Ultimate Rejection	50	55	-	dB

*Custom parameters available. Contact Oscilent Sales for discussion.

PACKAGE OUTLINE (mm)

TEST FIXTURE



Source/Load Impedance = 50 Ω

Oscilent Corporation - CALL **949.252.0522**

Part No.: 820-IF87.2M-A

18195 East McDermott Street, Building D, Irvine, CA 92614, USA
Fax: 949.252.0599, E-Mail: Sales@Oscilent.com