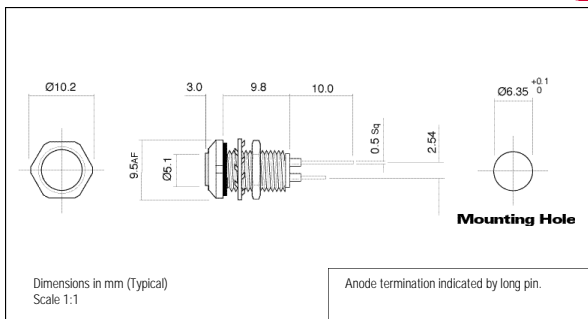


PROFESSIONAL LED INDICATORS - Ø 6.35mm Mounting



- Black anodised aluminium housing
- Unique hexagonal bezel aids mounting
- Hard anodised option to marine specification
- Sealed to IP67



662 SERIES

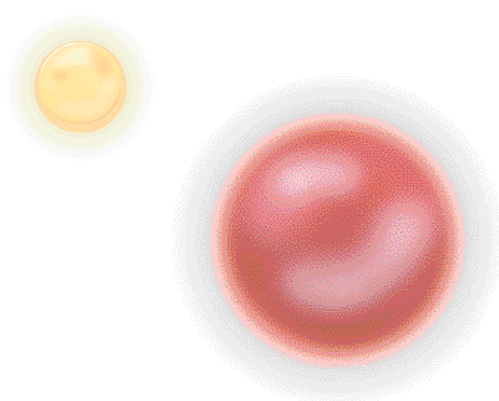
MLQ = 10

Ordering Information & Typical Technical Characteristics (Ta = 25°C)

Mean Time Between Failure = 100,000 Hours. Luminous intensity figures refer to the unmodified discrete LED.

PART NUMBER	COLOUR	LENS	VOLTAGE DC Vf@20mA	CURRENT DC Iopr	LUMINOUS INTENSITY Iv@20mA	WAVE LENGTH p	VIEWING ANGLE	OPERATING TEMP Topr	STORAGE TEMP Tstg
<b>STANDARD INTENSITY</b>									
662-303-04	Red	Coloured Diffused	2.0	20	100@10mA	625	Wide	-30 ~ +85	-30 ~ +85
662-309-04	Yellow		2.1	20	30@10mA	590			
662-312-04	Green		2.2	20	50@10mA	565			
<b>HIGH INTENSITY</b>									
662-301-04	Red	Coloured Diffused	1.9	20	850	660	Wide	-30 ~ +85	-30 ~ +85
662-325-04	Yellow		2.1	20	4400	590			
662-324-04	Green		3.4	20	3400	525			
662-934-04	Blue		3.4	20	1000	470			
662-998-04	White		3.4	20	2000	•			
<b>UNITS</b>			<b>Vdc</b>	<b>mA</b>	<b>mcd</b>	<b>nm</b>		<b>°C</b>	<b>°C</b>

• = Typical emission colour: x=0.31, y=0.32. Colour temperature 8000K. Intensities (Iv) and colour shades of white (x,y co-ordinates) may vary between LEDs within a batch.



- SAMPLES AVAILABLE
- CUSTOM DESIGN SERVICE
- ISO 9001: 1994 APPROVED
- LED PRODUCTS CAN BE STATIC SENSITIVE
- FOR NEW PRODUCTS SEE OUR WEBSITE