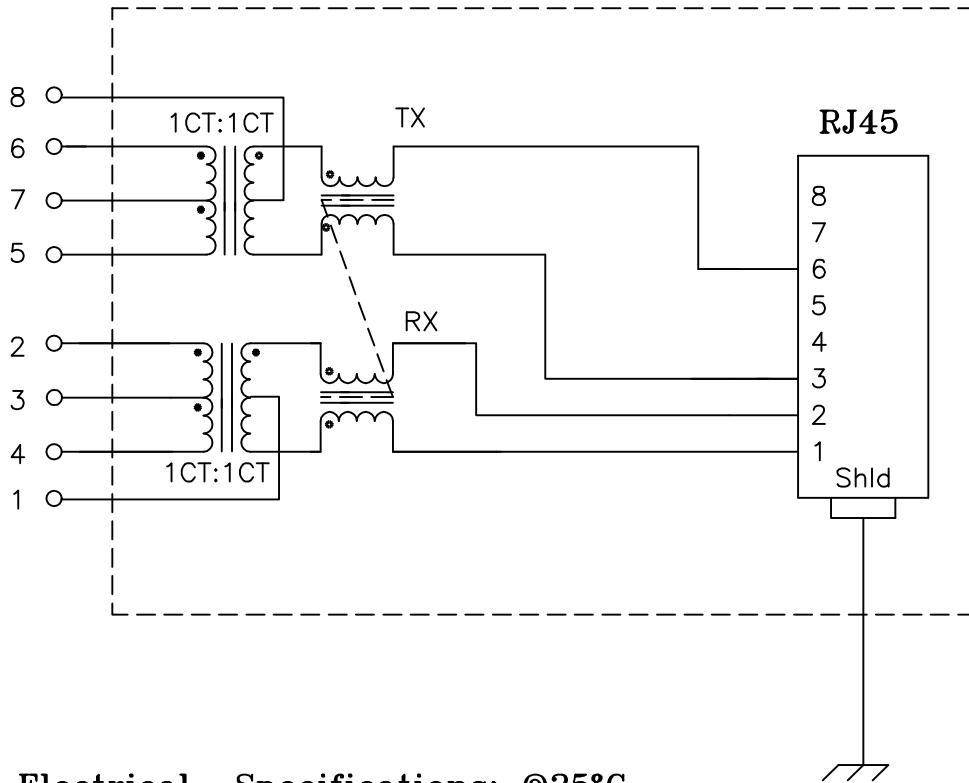


Schematic: (one of eight)



Electrical Specifications: @25°C

Isolation Voltage: 1500 Vrms (Input to Output)
 Isolation Voltage: 500 Vrms (P1+2+3 to P5+6+7)
 Turns Ratio: TX 1CT:1CT ±3% RX 1CT:1CT ±3%
 Insertion Loss: 1.2dB Max @1-100 MHz
 Return Loss: 1-3MHz 40MHz 50MHz 60-80MHz
 16dB 14dB 13dB 12dB (Min)
 Differential to Common Mode Rejection:
 30MHz 60MHz 1000MHz
 50dB 43dB 35dB (Min)
 Cross Talk: 30MHz 60MHz 100MHz
 43dB 37dB 33dB (Min)
 DC Current: 350mA

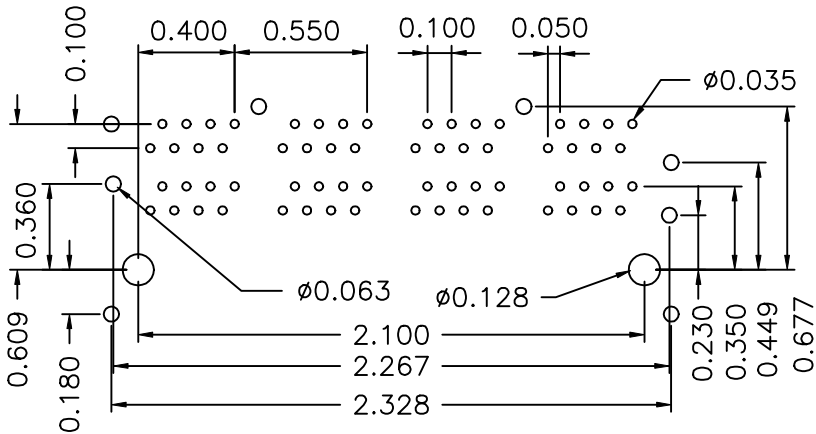
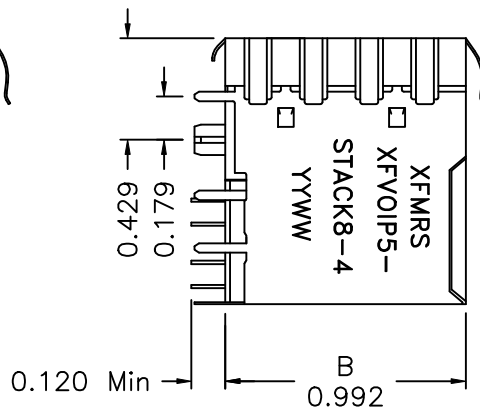
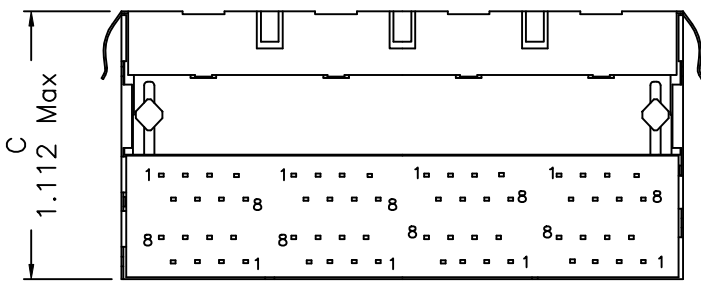
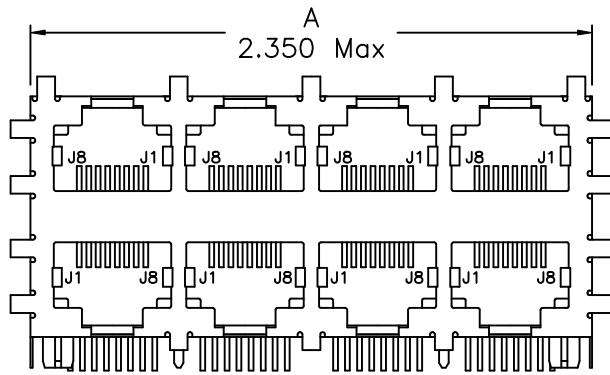
Notes:

1. Solderability: Leads shall meet MIL-STD-202, Method 208D for solderability.
2. Flammability: UL94V-0
3. ASTM oxygen index: > 28%
4. Temperature rating: 155°C. UL file E151556
5. Operating Temperature Range: All listed parameters are to be within tolerance from -40°C to +85°C

DOC. REV: A/1

XFMRs Inc.	Title: 2X8 PORT COMBO		
UNLESS OTHERWISE SPECIFIED TOLERANCES: .xxx ±0.010 Dimensions in Inch	P/N: XFVOIP5-STACK8-4		REV. A
	DWN.	李小锋	Feb-14-02
	CHK.	廖玉坤	Feb-14-02
SHEET 1 OF 2	APP.	BW	Feb-14-02

Mechanical Dimensions:



SUGGESTED MOUNTING PATTERN (COMPONENT SIDE)

DOC. REV. A/1

XFMR5 Inc.	Title: Mechanical Dimensions For 2x4 STACKED COMBO Series	
	UNLESS OTHERWISE SPECIFIED TOLERANCES: .xxx ±0.010 Dimensions in Inch	P/N: XFVOIP5-STACK8-4 REV. A
SHEET 2 OF 2	DWN.	廖玉坤 Feb-14-02
	CHK.	李清儿 Feb-14-02
	APP.	BW Feb-14-02