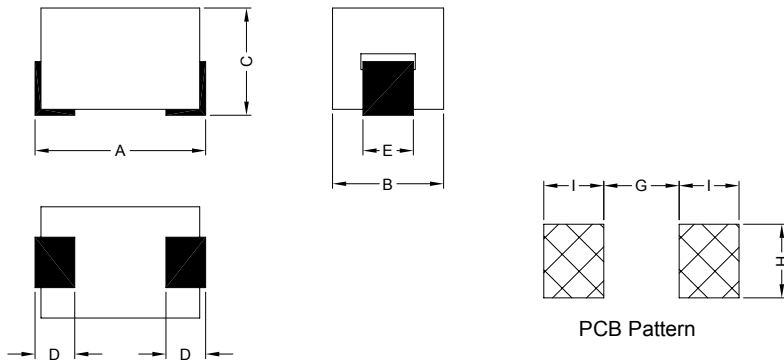


# SINGLE LINE SURFACE MOUNT FERRITE BEAD

Z853025 SERIES

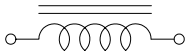
## 1. CONFIGURATION & DIMENSIONS :



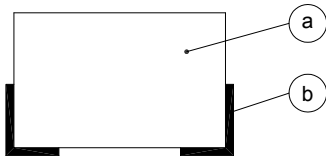
Unit:m/m

A	B	C	D	E	G	H	I
9.40 Max.	3.20 Max.	3.10 Max.	2.00 Max.	1.50 Max.	4.15 Ref.	4.06 Ref.	3.30 Ref.

## 2. SCHEMATIC :



## 3. MATERIALS :



(a) Core : Ferrite Core

(b) Terminal : Flat Tinned Copper Wire

## 4. GENERAL SPECIFICATION :

- a) Temp. rise : 40°C Max. at IDC
- b) Rated Current : Base on temp. rise
- c) Operating temp. : -55°C to +125°C

## 6. ELECTRICAL CHARACTERISTICS :

Part No.	Impedance ( $\Omega$ ) @ 25MHz	Impedance ( $\Omega$ ) @ 100MHz	Rated Current ( A )
Z853025-10	45 Min.	75 Min.	5.0



RoHS Compliant

NOTE : Specifications subject to change without notice. Please check our website for latest information.

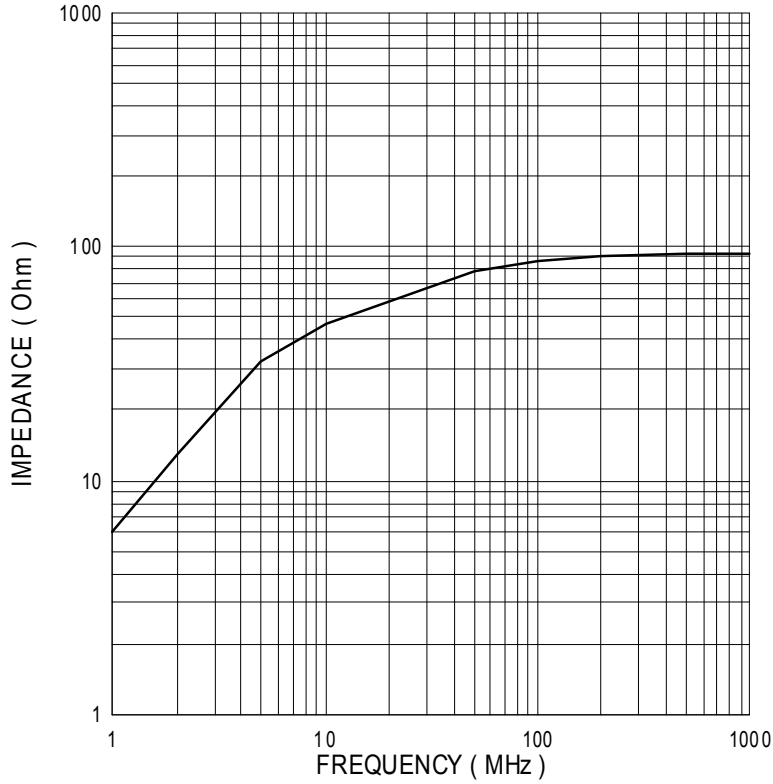
17.06.2008



SUPERWORLD ELECTRONICS (S) PTE LTD

PG. 1

**6. IMPEDANCE VS FREQUENCY CHARACTERISTICS :**



HP-4287A RF Impedance/Material Analyzer



**RoHS Compliant**

NOTE : Specifications subject to change without notice. Please check our website for latest information.

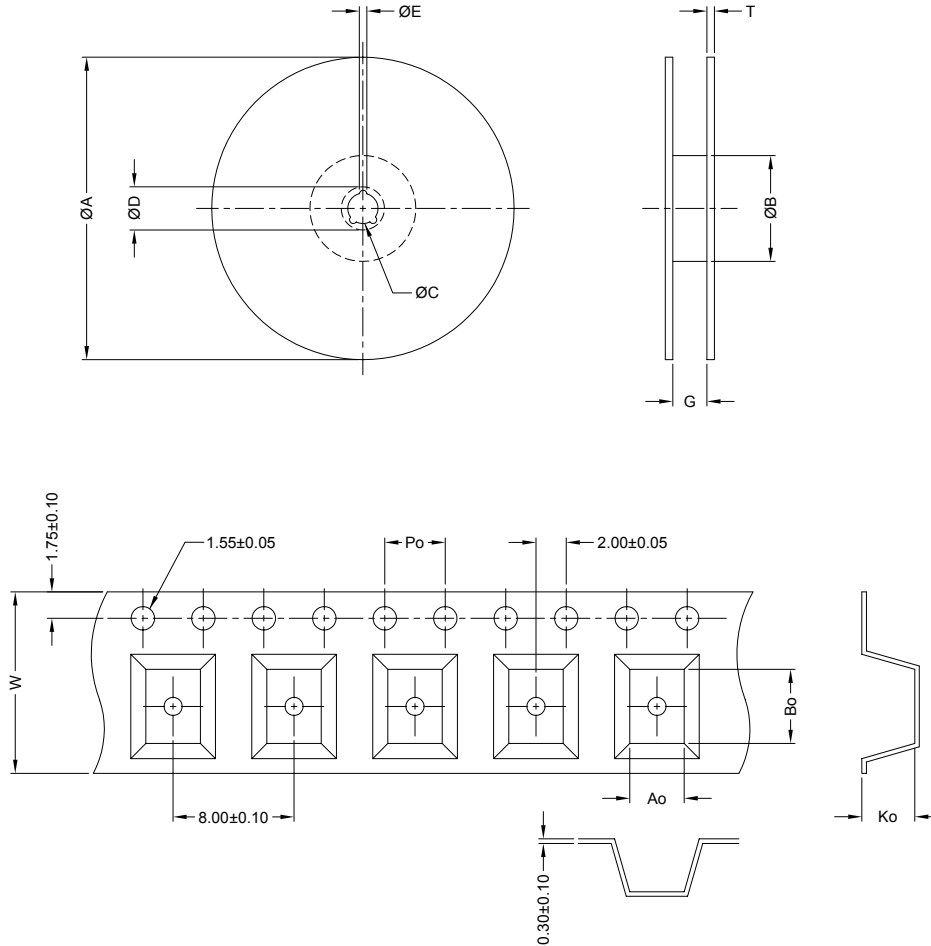
17.06.2008



**SUPERWORLD ELECTRONICS (S) PTE LTD**

### 7. PACKAGING INFORMATION :

#### ( 1 ) CONFIGURATION



#### ( 2 ) DIMENSIONS

A	B	C	D	E	G	T
178±2.0	67±2.0	12.5±1.5	22±2.0	2.3±0.5	16.4±1.0	1.0
W	P <sub>o</sub>	A <sub>o</sub>	B <sub>o</sub>	K <sub>o</sub>		
16±0.3	8±0.1	3.6±0.1	9.5±0.1	3.4±0.1		

#### ( 3 ) PACKAGING QUANTITY :

500 PCS / REEL



**RoHS Compliant**

NOTE : Specifications subject to change without notice. Please check our website for latest information.

17.06.2008



**SUPERWORLD ELECTRONICS (S) PTE LTD**