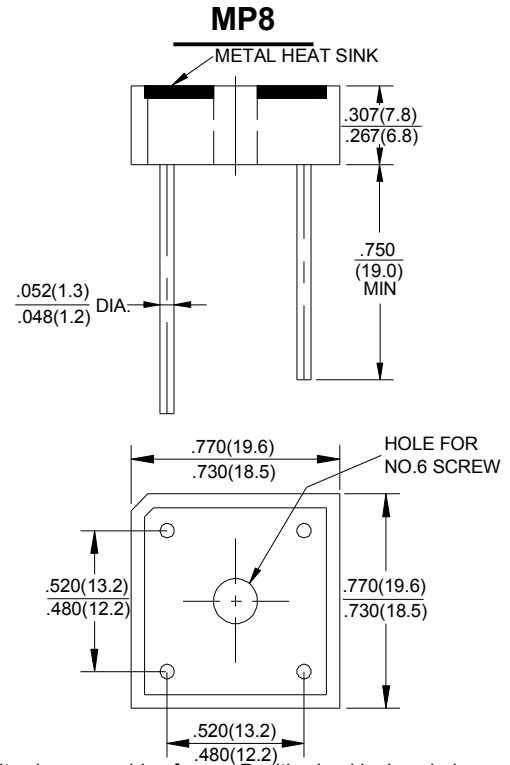


<b>SILICON BRIDGE RECTIFIERS</b>	<b>REVERSE VOLTAGE</b> - <b>50 to 1000Volts</b> <b>FORWARD CURRENT</b> - <b>10.0 Amperes</b>
----------------------------------	---

### FEATURES

- Surge overload rating -240 amperes peak
- Low forward voltage drop
- Small size; simple installation
- Silver plated copper leads
- Mounting position: Any



Polarity shown on side of case, Positive lead by beveled corner.  
 Dimensions in inches and (millimeters)

### MAXIMUM RATINGS AND ELECTRICAL CHARACTERISTICS

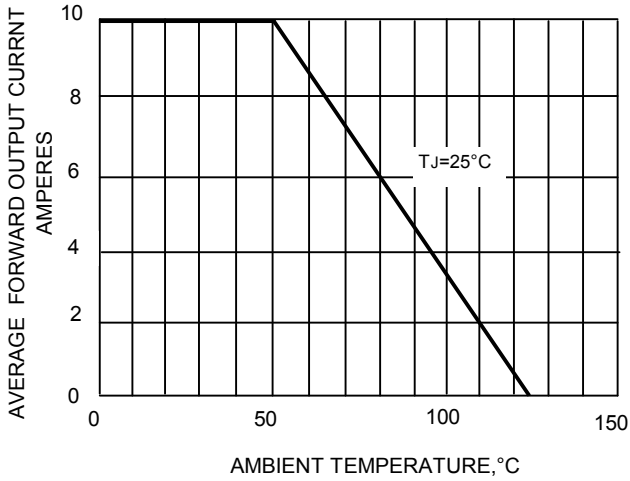
Rating at 25°C ambient temperature unless otherwise specified.

Single phase, half wave ,60Hz, resistive or inductive load.

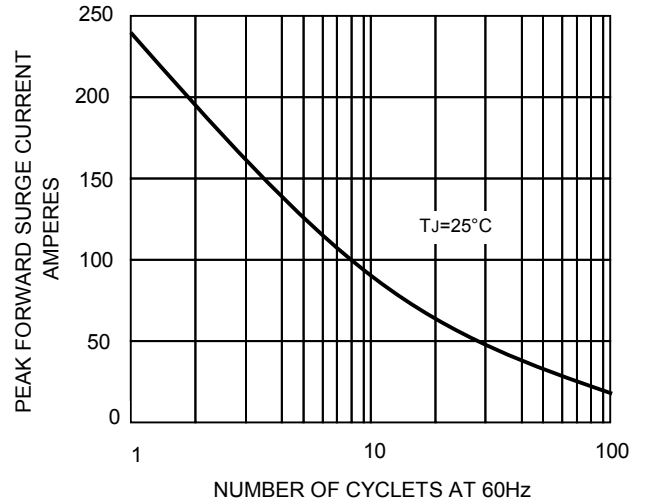
For capacitive load, derate current by 20%

CHARACTERISTICS	SYMBOL	MP10005	MP1001	MP1002	MP1004	MP1006	MP1008	MP1010	UNIT
Maximum Recurrent Peak Reverse Voltage	V <sub>RRM</sub>	50	100	200	400	600	800	1000	v
Maximum RMS Bridge Input Voltage	V <sub>RMS</sub>	35	70	140	280	420	560	700	v
Maximum Average Forward Rectified Output Current at T <sub>A</sub> =50°C	I <sub>(AV)</sub>	10.0							A
Peak Forward Surge Current 8.3ms Single Half Sine-Wave Super Imposed on Rated Load	I <sub>FSM</sub>	240							A
Maximum Forward Voltage Drop Per Bridge Element at 5.0A Peak	V <sub>F</sub>	1.0							V
Maximum Reverse Current at Rated DC Blocking Voltage Per Element	I <sub>R</sub>	10.0 1.0							μA mA
Operating Temperature Range	T <sub>J</sub>	-55 to +125							°C
Storage Temperature Range	T <sub>STG</sub>	-55 to +150							°C

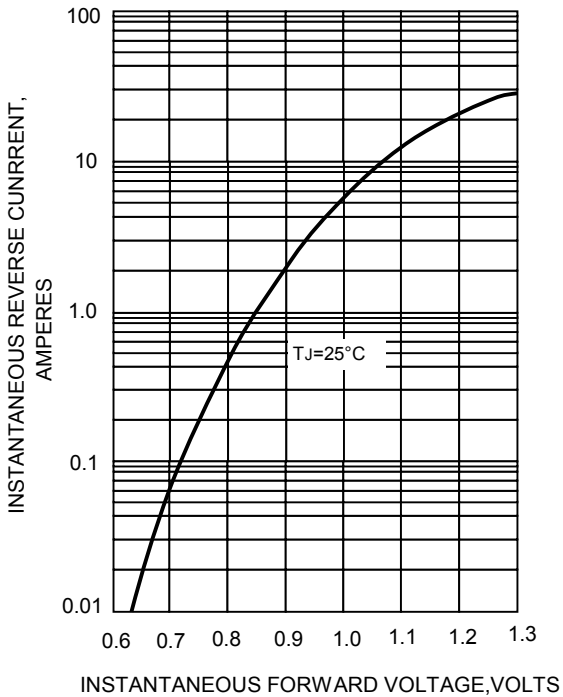
**FIG.1-DERATING CURVE**  
**OUTPUT RECTIFIED CURRENT**



**FIG.2-MAXIMUM FORWARD SURGE CURRENT**



**FIG.3-TYPICAL FORWARD**  
**CHARACTERISTICS**



**FIG.4-TYPICAL REVERSE**  
**CHARACTERISTICS**

