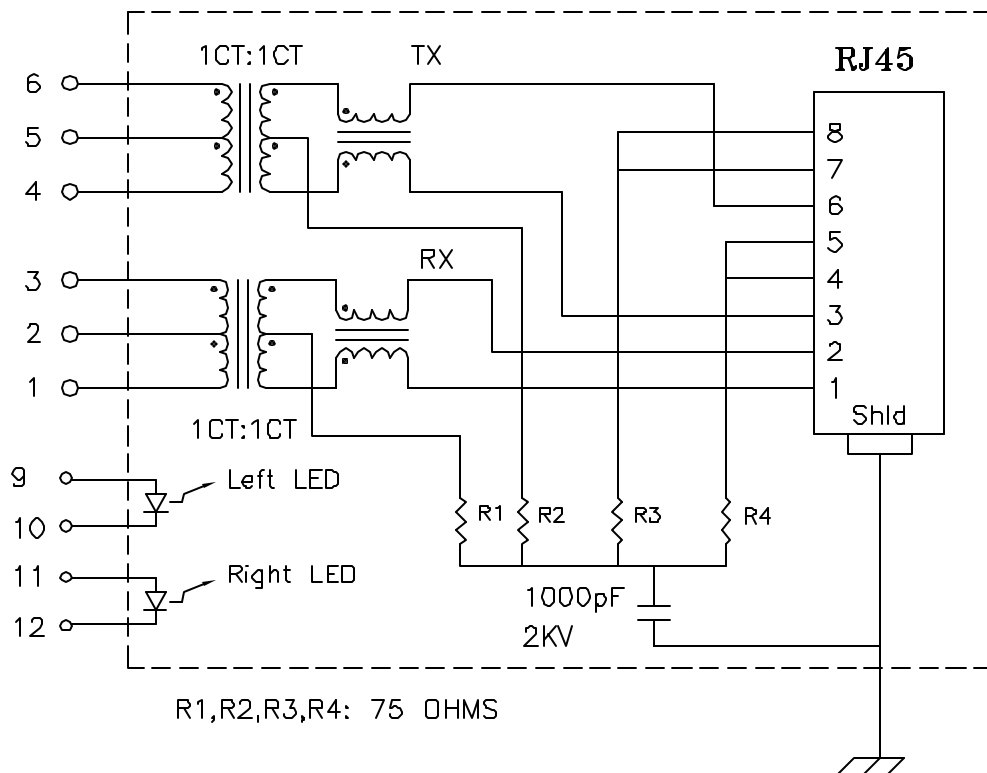


**Schematic:**



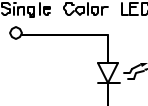
**Electrical Specifications: @25°C**

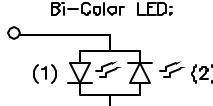
- Isolation Voltage: 1500 Vrms (Input to Output)
- Isolation Voltage: 500 Vrms (P1+2+3 to P4+5+6)
- Turns Ratio: TX 1CT:1CT ±3% RX 1CT:1CT ±3%
- CABLE SIDE OCL: 350uH Minimum @100KHz 100mV 8mADC
- Insertion Loss (300KHz-100MHz): -1.0dB Minimum
- Return Loss: @30MHz -20dB Minimum
- @80MHz -15dB Minimum

Complete the Combo P/N as follows:

Replace 'x' & 'u' in the part number with one of the LED color letters:

Y=Yellow	'x' = Left LED Color
G=Green	'u' = Right LED Color
A=Amber	
R=Red	
N=Yellow(1)/Green(2) Bicolor	
M=Green(1)/Yellow(2) Bicolor	

Single Color LED: 

Bi-Color LED: 

**Notes:**

1. Solderability: Leads shall meet MIL-STD-202G, Method 208H for solderability.
2. Flammability: UL94V-0
3. ASTM oxygen index: > 28%
4. Insulation System: Class F 155°C, UL file E151556
5. Operating Temperature Range: All listed parameters are to be within tolerance from -40°C to +85°C
6. Storage Temperature Range: -55°C to +125°C
7. Aqueous wash compatible
8. Electrical and mechanical specifications 100% tested
9. RoHS Compliant Component

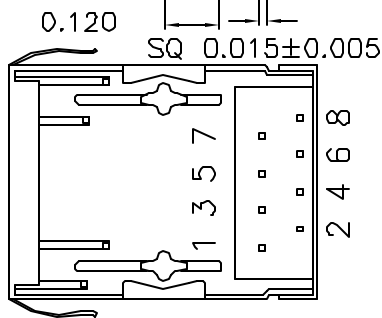
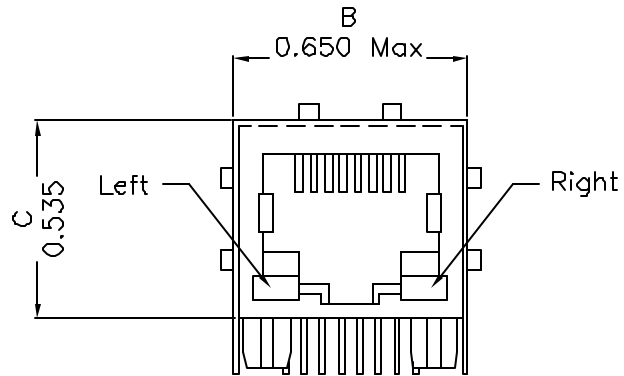
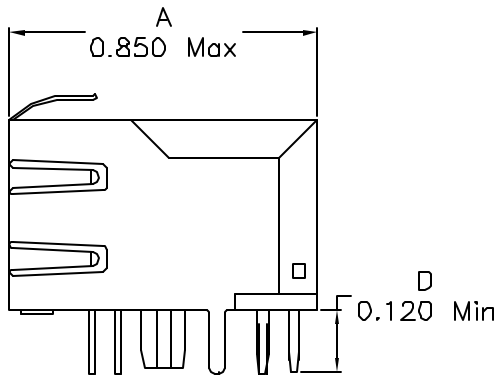
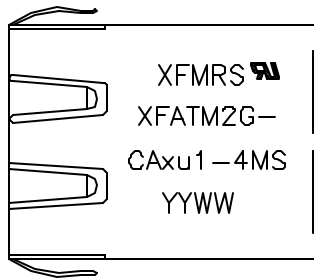
DOC. REV: A/4

<b>XFMRs Inc.</b> www.XFMRS.com	Title: <b>SINGLE PORT COMBO</b>		
	UNLESS OTHERWISE SPECIFIED	P/N: XFATM2G-CAXu1-4MS	REV. A
TOLERANCES: .xxx ±0.010	DWN.	李小锋	Oct-06-06
Dimensions in Inch	CHK.	廖玉坤	Oct-06-06
SHEET 1 OF 2	APP.	MS	Oct-06-06

**PROPRIETARY:**

Document is the property of XFMRs Group & is not allowed to be duplicated without authorization.

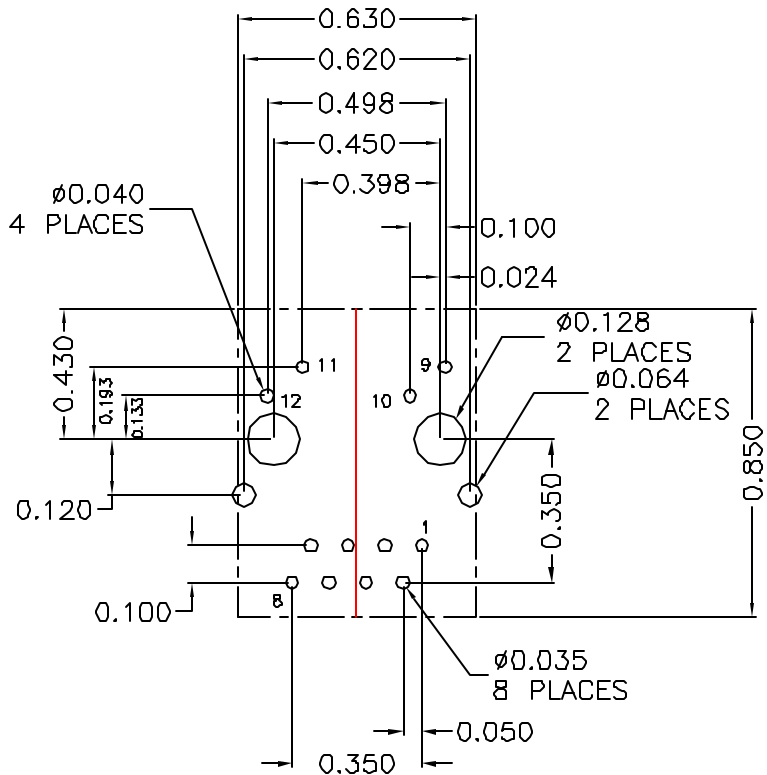
**Mechanical Dimensions:**



(BOTTOM VIEW)

**Mounting Pattern:**

(COMP SIDE)



<b>XFMRs Inc.</b> <a href="http://www.XFMRS.com">www.XFMRS.com</a>	Title: Mechanical Dimensions For CAXu1-4MS Series		
	UNLESS OTHERWISE SPECIFIED TOLERANCES: .xxx ±0.010 Dimensions in Inch	P/N: XFATM2G-CAXu1-4MS	REV. A
SHEET 2 OF 2	APP. MS	CHK. YK Liao	Oct-06-06

DOC. REV: A/4

**PROPRIETARY:**

Document is the property of XFMRs Group & is not allowed to be duplicated without authorization.