



PACIFIC DISPLAY DEVICES

LCD Component Data Sheet

Model Number: 16110

**16 Character by 1 Line
Alphanumeric LCD Assembly
With Embedded Controller**

CONTENTS

1.	GENERAL INFORMATION	
1.1	Product Overview	2
1.2	Part Options & Numbering System	2
1.3	Absolute Maximum Ratings	3
1.4	Circuit Block Diagram	3
1.5	Mechanical Characteristics	3
1.6	Input Signal Function	4
1.7	LCM Contrast Control and Bias	4
1.8	LCD Dimensions	5
2.	ELECTRICAL / OPTICAL CHARACTERISTICS	
2.1	DC Electrical Characteristics	6
2.2	AC Electrical Characteristics	6
2.3	Optical Characteristics	8
2.4	LED Backlight Characteristics	9
2.5	EL Panel Backlight Characteristics	9
3.	OPERATING PRINCIPALS AND METHODS	
3.1	LCD Controller Display and Control Functions	11
3.2	Display Data RAM Address Map	13
4.	RELIABILITY	14
5.	PRECAUTIONS FOR USING LCD MODULES	15

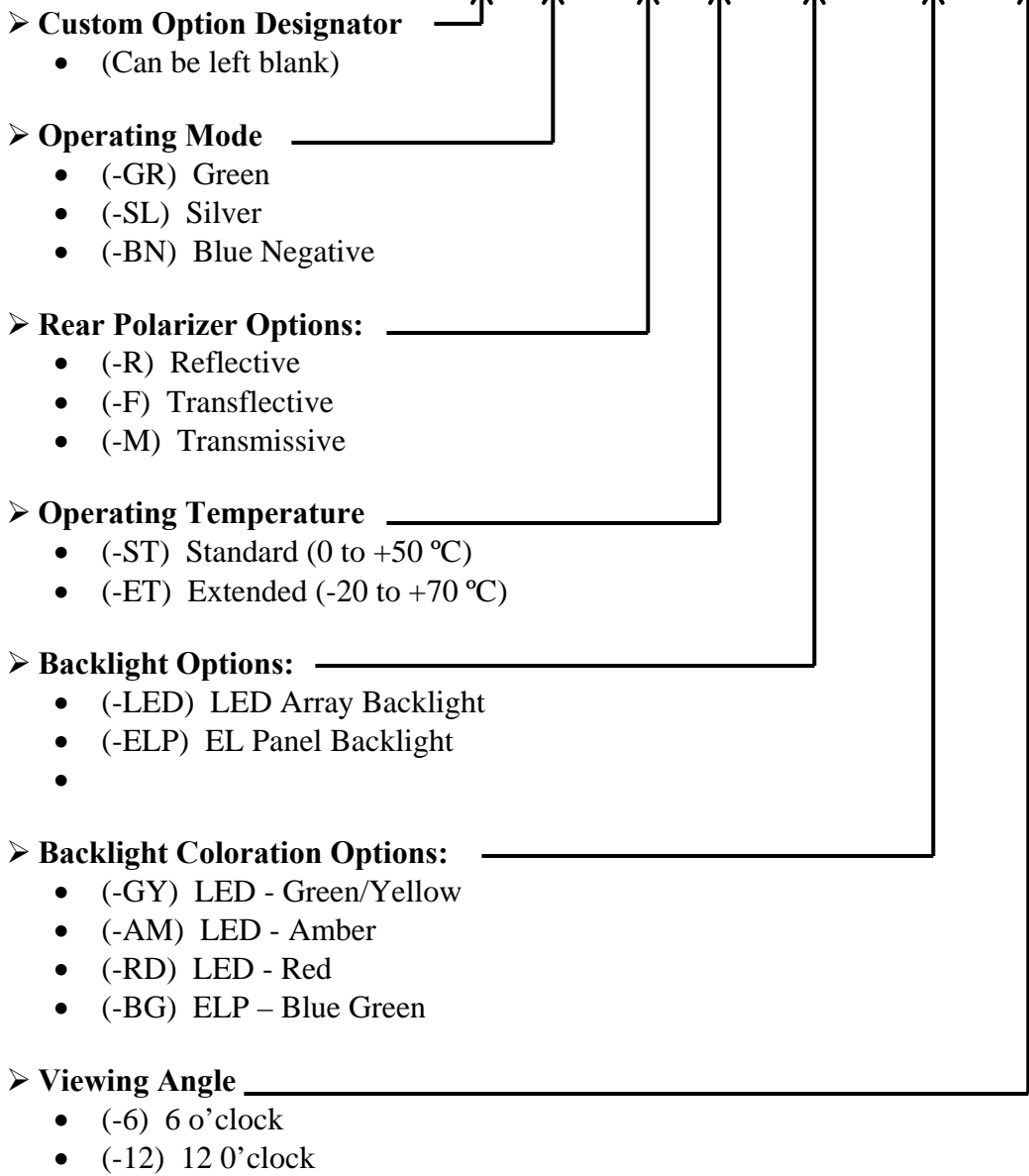
1. GENERAL INFORMATION

1.1 Product Overview

- 16 Character x 1 line Alphanumeric Dot Matrix LCD Module
- LCD Controller: Embedded S6A0069 or equivalent alpha-numeric controller
- Multiplexing driving: 1/16 duty, 1/4 bias
- Operating Mode: Super Twisted Nematic (STN) technology
- LCD Module Service Life: 100,000 hours minimum

1.2 Part Options & Numbering System

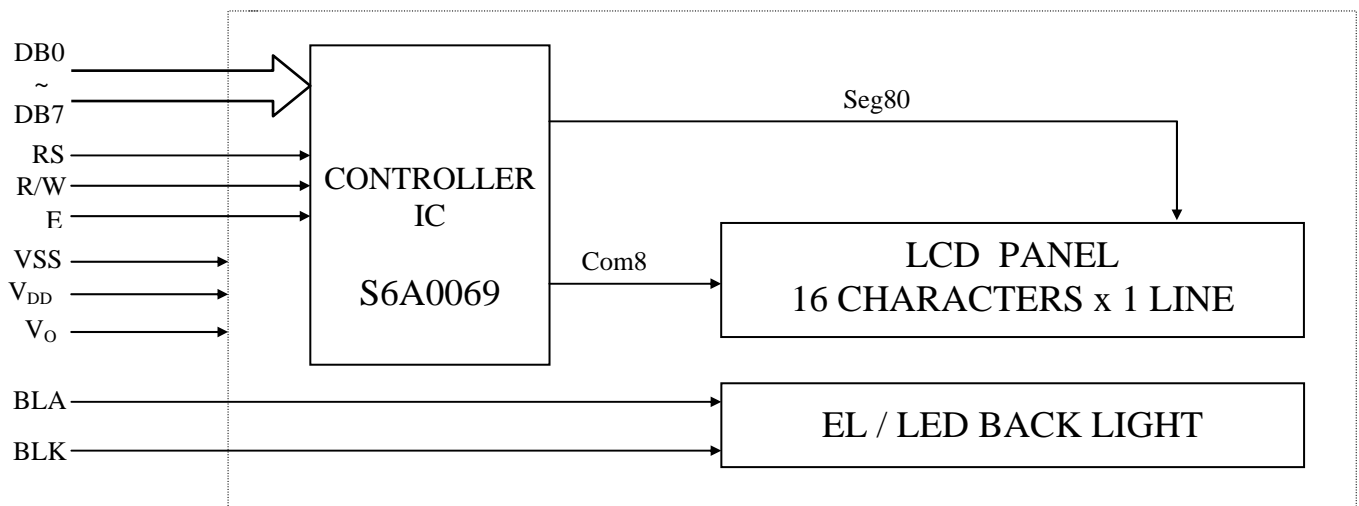
16110		-SL	-F	-ST	-LED	-GY	-12
-------	--	-----	----	-----	------	-----	-----



1.3 Absolute Maximum Ratings

Parameter	Symbol	Min	Max	Unit
Supply voltage for logic	V_{DD}	-0.3	7.0	V
Supply voltage for LCD	$V_{DD} - V_0$	--	$V_{DD} + 0.3$	V
Input voltage	V_I	-0.3	$V_{DD} + 0.3$	V
Standard Operating temperature	TOP (-ST)	0	50	°C
Standard Storage temperature	TST (-ST)	-10	60	°C
Extended Operating temperature	TOP (-ET)	-20	70	°C
Extended Storage temperature	TST (-ET)	-30	80	°C
Soldering Temp	Tsolder	260		°C

1.4 Circuit Block Diagram



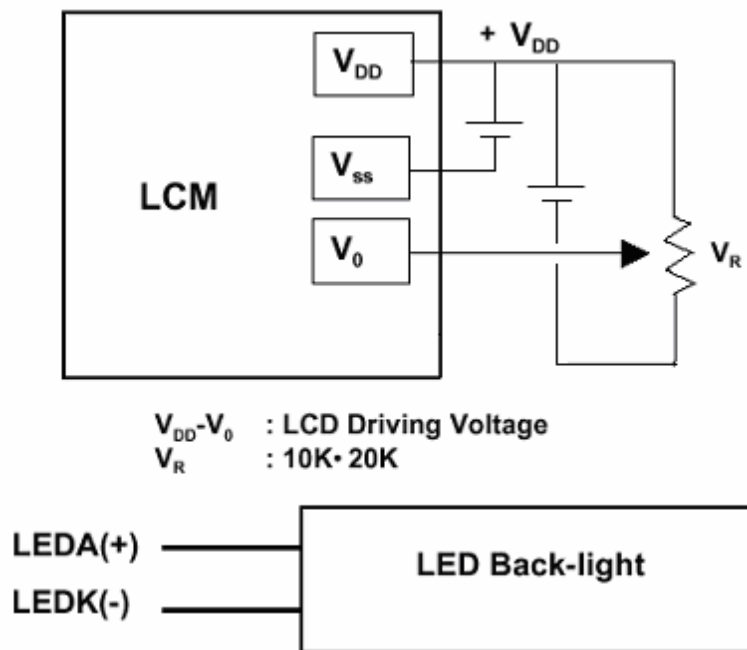
1.5 Mechanical Characteristics

Item	Contents	Unit
Module size (W×H×T)	122 x 33 x 15 Max (w/ LED Backlight) 122 x 33 x 11 Max (w/ ELP or No LED Backlight)	mm
Viewing area (W×H)	99 x 13	mm
Active Area (W×H)	94.84 x 9.66	mm
Character matrix (W×H)	5 x 8	dots
Character size (W×H)	4.84 x 8.06	mm
Dot size (W×H)	0.92 x 1.10	mm
Dot pitch (W×H)	0.98 x 1.16	mm

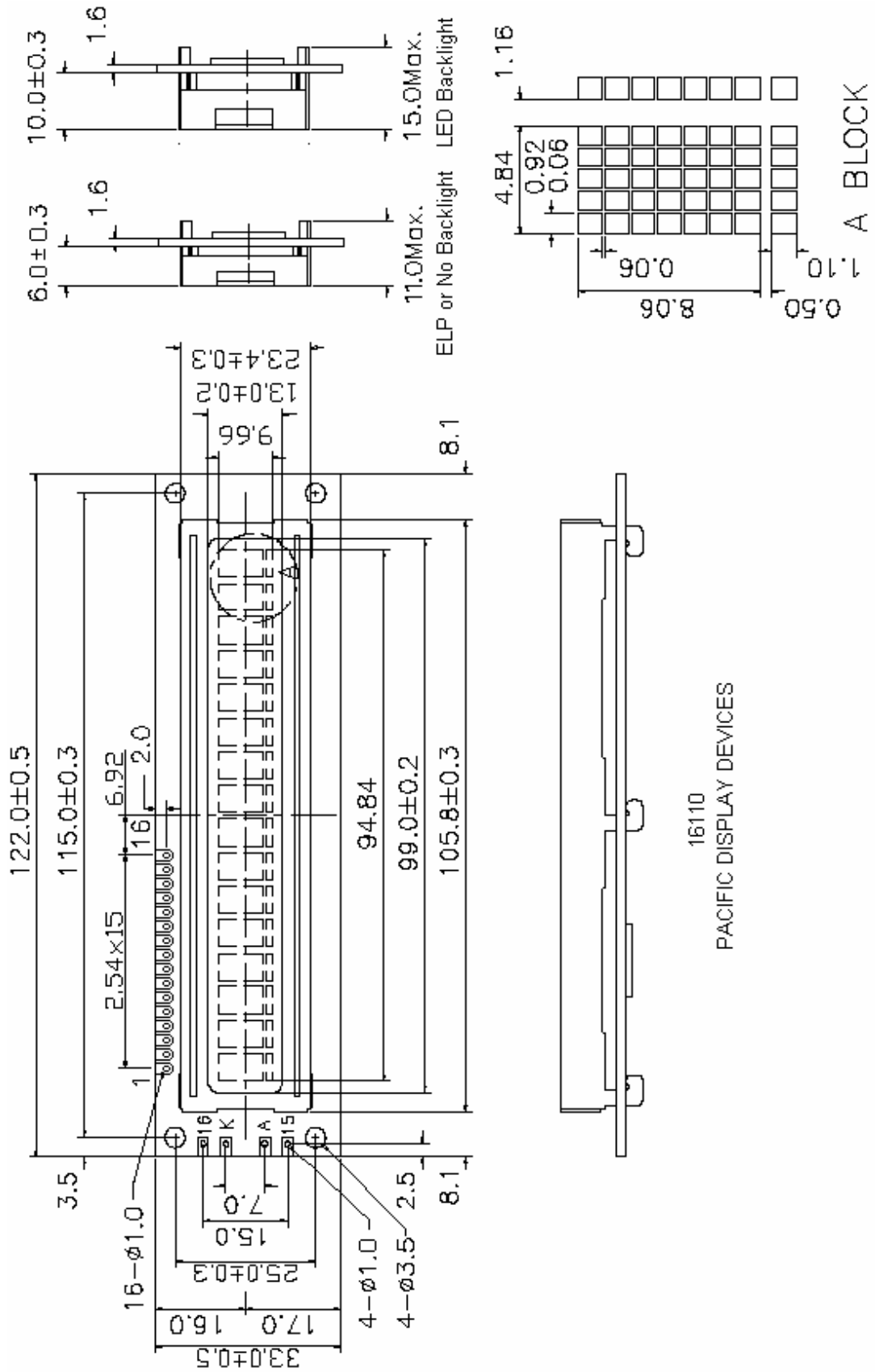
1.6 Input Signal Function

Pin NO.	Symbol	Level	Description
1	VSS	0V	Ground
2	VDD	5.0V	Supply voltage for logic
3	VO	---	Input voltage for LCD
4	RS	H/L	H : Data signal, L : Instruction signal
5	R/W	H/L	H : Read mode, L : Write mode
6	E	H, H → L	Chip enable signal
7	DB0	H/L	Data bit 0
8	DB1	H/L	Data bit 1
9	DB2	H/L	Data bit 2
10	DB3	H/L	Data bit 3
11	DB4	H/L	Data bit 4
12	DB5	H/L	Data bit 5
13	DB6	H/L	Data bit 6
14	DB7	H/L	Data bit 7
15	BLA	4.1V	Back light anode
16	BLK	0V	Back light cathode

1.7 LCM Contrast Control and Bias



1.8 LCM Dimensions



16110
PACIFIC DISPLAY DEVICES

2. ELECTRICAL / OPTICAL CHARACTERISTICS

2.1 DC Electrical Characteristics ($V_{DD} = +5V \pm 10\%$, $V_{SS} = 0V$, $T_a = 25^\circ C$)

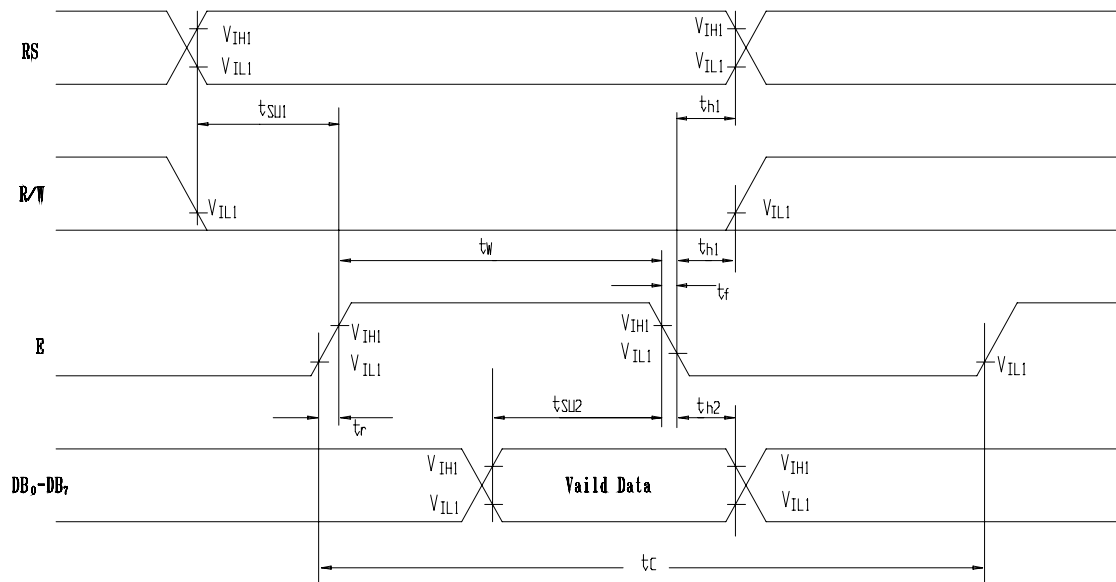
Parameter	Symbol	Condition	Min	Typ	Max	Unit
Supply voltage for logic	V_{DD}	---	4.5	5.0	5.5	V
Supply current for logic	I_{DD}	---	---	1.38	3	mA
Operating voltage for LCD*	$V_{DD}-V_O$	0°C	4.35	4.55	4.75	V
		25°C	4.10	4.30	4.50	V
		50°C	3.65	3.85	4.00	V
Input voltage 'H' level	V_{IH}	---	2.2	---	V_{DD}	V
Input voltage 'L' level	V_{IL}	---	-0.3	---	0.6	V

Note: -ET temp range will require up to 8V biasing and require a minimum external voltage supply of -3V @ -20°C.

2.2 AC Electrical Characteristics

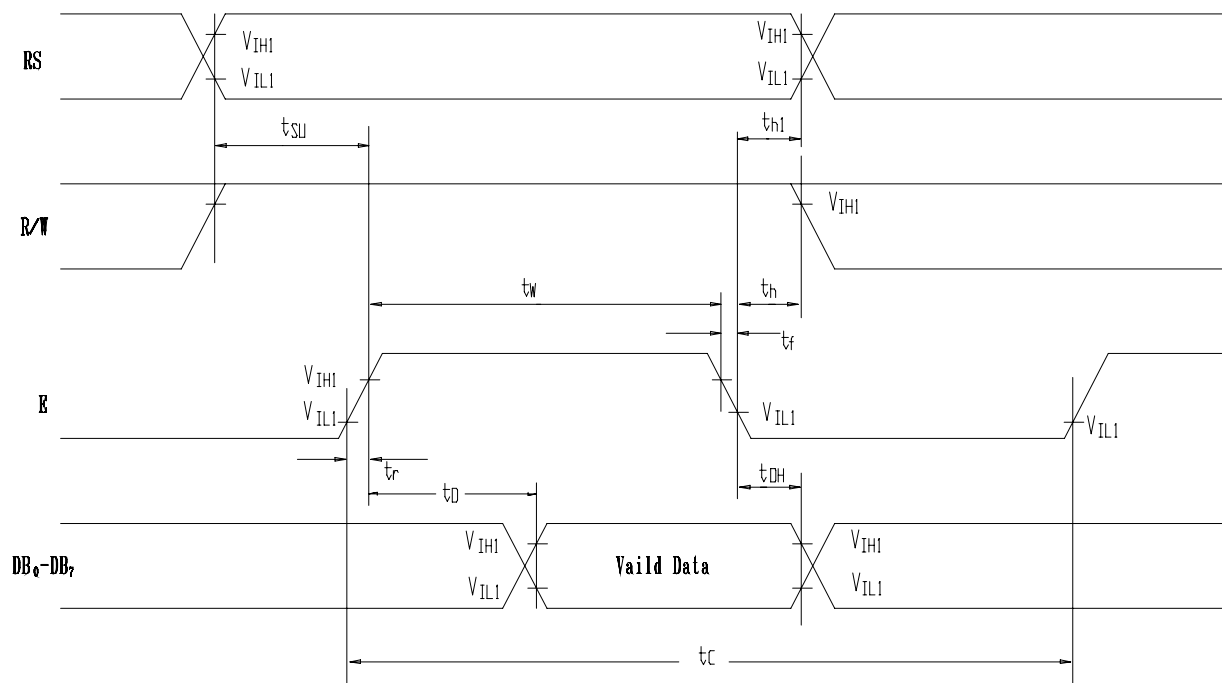
• **Write Mode**

Characteristic	Symbol	Min.	Typ.	Max.	Unit	Test pin
E cycle time	t_c	500	---	---	ns	E
E rise time	t_r	---	---	25	ns	E
E fall time	t_f	---	---	25	ns	E
E pulse width (High, Low)	t_w	220	---	---	ns	E
R/W and RS set-up time	t_{SU1}	40	---	---	ns	R/W, RS
R/W and RS hold time	t_{h1}	10	---	---	ns	R/W, RS
Data set-up time	t_{SU2}	60	---	---	ns	DB ₀ ~ DB ₇
Data hold time	t_{h2}	10	---	---	ns	DB ₀ ~ DB ₇



• **Read Mode**

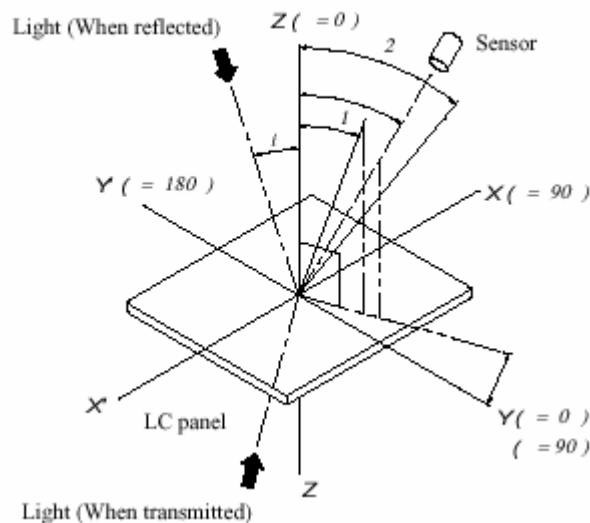
Characteristic	Symbol	Min.	Typ.	Max.	Unit	Test pin
E cycle time	t_C	500	---	---	ns	E
E rise time	t_r	---	---	25	ns	E
E fall time	t_f	---	---	25	ns	E
E pulse width	t_w	220	---	---	ns	E
R/W and RS set-up time	t_{SU}	40	---	---	ns	R/W, RS
R/W and RS hold time	t_h	10	---	---	ns	R/W, RS
Data output delay time	t_D	---	---	120	ns	DB ₀ ~ DB ₇
Data hold time	t_{DH}	20	---	---	ns	DB ₀ ~ DB ₇



2.3 Optical Characteristics ($V_{OP} = 4.7V$, $T_a = 25^\circ C$)

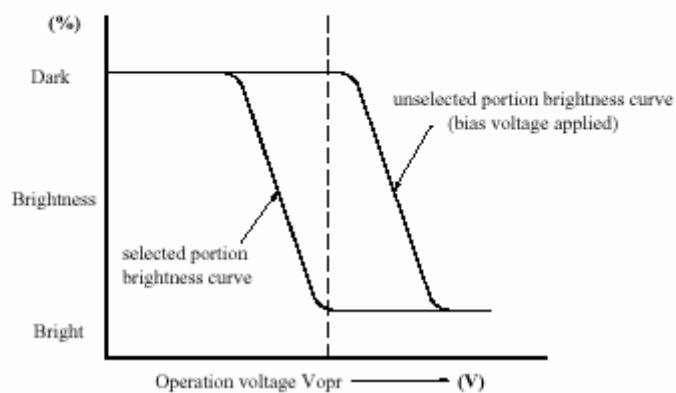
Item	Symbol	Condition	Min	Typ	Max	Unit
Response time	Tr	---	---	100	200	ms
	Tf	---	---	210	340	ms
Frame Frequency	fF	---	---	60	---	Hz
Contrast ratio	Cr	---	---	4	7	---
Viewing angle range	θ_1	25° C	50	--	130	Deg
	θ_2		-30	--	30	Deg

* Definition of angles ϕ and θ

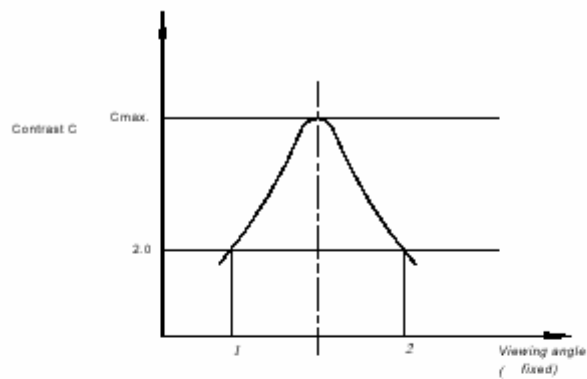


*Definition of contrast C

$$C = \frac{B1}{B2} = \frac{\text{Brightness of selected portion}}{\text{Brightness of unselected portion}}$$

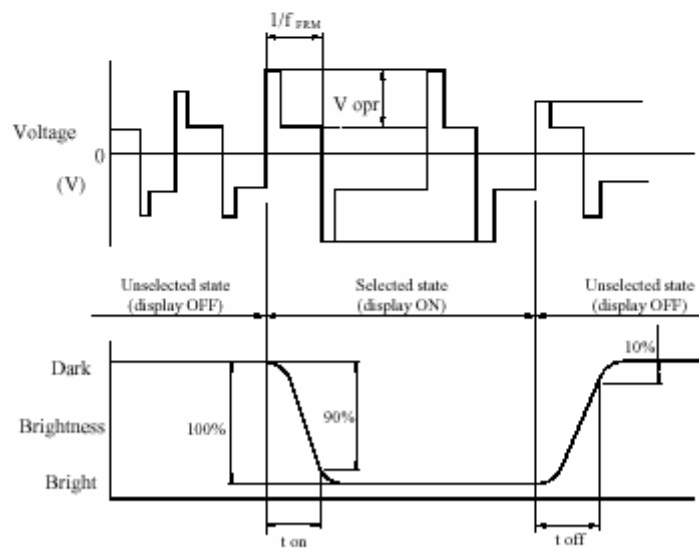


* Definition of viewing angles θ_1 and θ_2



Note : Optimum vision with the naked eye and viewing angle θ at C_{max} above are not always the same.

* Definition of response time



V_{opr} : Operating voltage (V) t_{on} : Response time (rise) (ms)
 f_{FRM} : Frame frequency (Hz) t_{off} : Response time (fall) (ms)

2.4 LED Backlight Characteristics

■ Yellow-Green LED Operating Characteristics (5V - Array Lit)

Item	Symbol	Conditions	Standard			Unit
			Min.	Typ.	Max.	
Forward Voltage	V_f	Ta= 25 °C	3.8	4.1	4.4	VDC
Forward Current	I_F	Ta= 25 °C	---	200	400	mA
Reverse Voltage	V_R	Ta= 25 °C	---	8	---	V

■ Life (Array Lit)

Item	Conditions	Standard		Unit
		Min.	Max.	
Life	Ta= 25 °C	100,000	---	hrs

2.5 EL Panel Backlight Characteristics

■ Blue-Green EL Panel Operating Characteristics:

Item	Conditions	Standard			Unit
		Min.	Typ.	Max.	
Current Consumption	100VAC RMS, 400Hz Ta: 25°C	---	4.1	6.1	mA
EL Drive Voltage	---	---	100	150	VAC RMS
EL Drive Frequency	---	---	400	1000	Hz
Operating Temperature	---	-35°C	---	+50°C	°C
Storage Temperature	---	-40°C	---	+60°C	°C
Luminance	100VAC RMS, 400Hz	40	50	---	cd/m ²
Luminance Half-Life	Ta: 25°C	3500	---	---	Hrs

*Note: half life is defined as Luminance being reduced by 50%

3. OPERATING PRINCIPALS AND METHODES

• Control and Display Command

Command	RS	R/W	DB ₇	DB ₆	DB ₅	DB ₄	DB ₃	DB ₂	DB ₁	DB ₀	Exe Time f=250khz	Remark															
Display Clear	L	L	L	L	L	L	L	L	L	H	1.64ms																
Return Home	L	L	L	L	L	L	L	L	H	X	1.64ms	Cursor move to first digit															
Entry Mode Set	L	L	L	L	L	L	L	H	I/D	SH	42µs	<ul style="list-style-type: none"> I/D : Set cursor move direction <table border="1"> <tr> <td rowspan="2">I/D</td> <td>H</td> <td>Increase</td> </tr> <tr> <td>L</td> <td>Decrease</td> </tr> </table> SH : Specifies shift of display <table border="1"> <tr> <td rowspan="2">SH</td> <td>H</td> <td>Display is shifted</td> </tr> <tr> <td>L</td> <td>Display is not shifted</td> </tr> </table> 	I/D	H	Increase	L	Decrease	SH	H	Display is shifted	L	Display is not shifted					
I/D	H	Increase																									
	L	Decrease																									
SH	H	Display is shifted																									
	L	Display is not shifted																									
Display On/Off	L	L	L	L	L	L	H	D	C	B	42µs	<ul style="list-style-type: none"> Display <table border="1"> <tr> <td rowspan="2">D</td> <td>H</td> <td>Display on</td> </tr> <tr> <td>L</td> <td>Display off</td> </tr> </table> Cursor <table border="1"> <tr> <td rowspan="2">C</td> <td>H</td> <td>Cursor on</td> </tr> <tr> <td>L</td> <td>Cursor off</td> </tr> </table> Blinking <table border="1"> <tr> <td rowspan="2">B</td> <td>H</td> <td>Blinking on</td> </tr> <tr> <td>L</td> <td>Blinking off</td> </tr> </table> 	D	H	Display on	L	Display off	C	H	Cursor on	L	Cursor off	B	H	Blinking on	L	Blinking off
D	H	Display on																									
	L	Display off																									
C	H	Cursor on																									
	L	Cursor off																									
B	H	Blinking on																									
	L	Blinking off																									
Shift	L	L	L	L	L	H	S/C	R/L	X	X	42µs	<table border="1"> <tr> <td rowspan="2">S/C</td> <td>H</td> <td>Display shift</td> </tr> <tr> <td>L</td> <td>Cursor move</td> </tr> </table> <table border="1"> <tr> <td rowspan="2">R/L</td> <td>H</td> <td>Right shift</td> </tr> <tr> <td>L</td> <td>Left shift</td> </tr> </table>	S/C	H	Display shift	L	Cursor move	R/L	H	Right shift	L	Left shift					
S/C	H	Display shift																									
	L	Cursor move																									
R/L	H	Right shift																									
	L	Left shift																									
Set Function	L	L	L	L	H	DL	N	F	X	X	42µs	<table border="1"> <tr> <td rowspan="2">DL</td> <td>H</td> <td>8 bits interface</td> </tr> <tr> <td>L</td> <td>4 bits interface</td> </tr> </table> <table border="1"> <tr> <td rowspan="2">N</td> <td>H</td> <td>2 line display</td> </tr> <tr> <td>L</td> <td>1 line display</td> </tr> </table> <table border="1"> <tr> <td rowspan="2">F</td> <td>H</td> <td>5 X 10 dots</td> </tr> <tr> <td>L</td> <td>5 X 7 dots</td> </tr> </table>	DL	H	8 bits interface	L	4 bits interface	N	H	2 line display	L	1 line display	F	H	5 X 10 dots	L	5 X 7 dots
DL	H	8 bits interface																									
	L	4 bits interface																									
N	H	2 line display																									
	L	1 line display																									
F	H	5 X 10 dots																									
	L	5 X 7 dots																									
Set Cg Ram Address	L	L	L	H	CG RAM address (corresponds to cursor address)					42µs	CG RAM Data is sent and received after this setting																
Set Dd Ram Address	L	L	H	DD RAM address					42µs	DD RAM Data is sent and received after this setting																	
Read Busy Flag & Address	L	H	BF	Address Counter used for both DD & CG RAM address					0µs	<table border="1"> <tr> <td rowspan="2">BF</td> <td>H</td> <td>Busy</td> </tr> <tr> <td>L</td> <td>Ready</td> </tr> </table> <ul style="list-style-type: none"> – Reads BF indication internal operating is being performed – Reads addr counter contents 	BF	H	Busy	L	Ready												
BF	H	Busy																									
	L	Ready																									
Write Data	H	L	Write Data					46µs	Write data into DD or CG RAM																		
Read Data	H	H	Read Data					46µs	Read data from DD or CG RAM																		

X : Don't care

• **Initializing by Instruction**

Power On

Wait for more than 15ms after VDD rises to 4.5V

RS	R/W	DB7	DB6	DB5	DB4	DB3	DB2	DB1	DB0
0	0	0	0	1	1	*	*	*	*

BF cannot be checked before this instruction.
Function Set

Wait for more than 4.1ms

RS	R/W	DB7	DB6	DB5	DB4	DB3	DB2	DB1	DB0
0	0	0	0	1	1	*	*	*	*

BF cannot be checked before this instruction.
Function Set

Wait for more than 100µs

RS	R/W	DB7	DB6	DB5	DB4	DB3	DB2	DB1	DB0
0	0	0	0	1	1	*	*	*	*

BF cannot be checked before this instruction.
Function Set



BF can be checked after following instruction.
When BF is not checked, the waiting time between instructions is longer than execution instruction time.

RS	R/W	DB7	DB6	DB5	DB4	DB3	DB2	DB1	DB0
0	0	0	0	1	1	N	F	*	*
0	0	0	0	0	0	1	0	0	0
0	0	0	0	0	0	0	0	0	1
0	0	0	0	0	0	0	1	I/D	S

Function Set (Specify the number of display lines and character font.) The number of display lines and character font cannot be changed afterwards.
Display Off
Display Clear
Entry Mode Set



Initialization ends

3.2 Display Data RAM Address Map

Lower 4 Bits \ Upper 4 Bits	0000	0001	0010	0011	0100	0101	0110	0111	1000	1001	1010	1011	1100	1101	1110	1111
xxxx0000	CG RAM (1)			0	1	P	`	P				-	夕	ミ	α	ρ
xxxx0001	(2)		!	1	A	Q	a	q			。	ア	チ	△	ä	q
xxxx0010	(3)		"	2	B	R	b	r			「	イ	ツ	×	β	θ
xxxx0011	(4)		#	3	C	S	c	s			」	ウ	テ	ε	ε	∞
xxxx0100	(5)		\$	4	D	T	d	t			、	エ	ト	ト	μ	Ω
xxxx0101	(6)		%	5	E	U	e	u			・	オ	ナ	1	ü	Ü
xxxx0110	(7)		&	6	F	V	f	v			ヲ	カ	ニ	ヨ	ρ	Σ
xxxx0111	(8)		'	7	G	W	g	w			ア	キ	ヌ	ラ	g	π
xxxx1000	(1)		<	8	H	X	h	x			イ	ク	ネ	リ	γ	×
xxxx1001	(2)		>	9	I	Y	i	y			ウ	ケ	ル		γ	γ
xxxx1010	(3)		*	:	J	Z	j	z			エ	コ	ハ	レ	j	キ
xxxx1011	(4)		+	:	K	L	k	l			オ	サ	ヒ	ロ	*	斤
xxxx1100	(5)		,	<	L	¥	l	l			カ	シ	フ	ワ	φ	円
xxxx1101	(6)		-	=	M	J	m	j			ユ	ヌ	ハ	シ	モ	÷
xxxx1110	(7)		.	>	N	^	n	→			ヨ	セ	ホ	”	ñ	
xxxx1111	(8)		/	?	O	_	o	←			ッ	ソ	マ	°	ö	■

LCD Character Location map

Characters	1	2	3	4	5	6	7	8	9	10	11	12	13	14	15	16
First line	00H	01H	02H	03H	04H	05H	06H	07H	40H	41H	42H	43H	44H	45H	46H	47H

4. RELIABILITY

Environmental Test				
No	Test Item	Content of Test	Test Condition	Applicable Standard
1	High temperature storage	Endurance test applying the high storage temperature for a long time.	80 °C 200 hrs	-----
2	Low temperature storage	Endurance test applying the low storage temperature for a long time.	-30 °C 200 hrs	-----
3	High temperature operation	Endurance test applying the electric stress (Voltage & Current) and the thermal stress to the element for a long time.	70 °C 200 hrs	-----
4	Low temperature operation	Endurance test applying the electric stress under low temperature for a long time.	-20 °C 200 hrs	-----
5	High temperature / Humidity storage	Endurance test applying the high temperature and high humidity storage for a long time.	80 °C , 90 %RH 96 hrs	MIL-202E-103B JIS-C5023
6	High temperature / Humidity operation	Endurance test applying the electric stress (Voltage & Current) and temperature / humidity stress to the element for a long time.	70 °C , 90 %RH 96 hrs	MIL-202E-103B JIS-C5023
7	Temperature cycle	Endurance test applying the low and high temperature cycle. $\begin{array}{c} -20^{\circ}\text{C} \quad 25^{\circ}\text{C} \quad 70^{\circ}\text{C} \\ 30\text{min.} \quad \rightleftharpoons \quad 5\text{min.} \quad \rightleftharpoons \quad 30\text{min.} \\ \leftarrow \hspace{10em} \rightarrow \\ 1 \end{array}$	-20°C / 70°C 10 cycles	-----
Mechanical Test				
8	Vibration test	Endurance test applying the vibration during transportation and using.	10~22Hz → 1.5mmp-p 22~500Hz → 1.5G Total 0.5hrs	MIL-202E-201A JIS-C5025 JIS-C7022-A-10
9	Shock test	Constructional and mechanical endurance test applying the shock during transportation.	50G Half sign wave 11 msdc 3 times of each direction	MIL-202E-213B
10	Atmospheric pressure test	Endurance test applying the atmospheric pressure during transportation by air.	115 mbar 40 hrs	MIL-202E-105C
Others				
11	Static electricity test	Endurance test applying the electric stress to the terminal.	VS=800V , RS=1.5 kΩ CS=100 pF 1 time	MIL-883B-3015.1

*** Supply voltage for logic system = VDD. Supply voltage for LCD system = Operating voltage at 25°C

LCD Panel Service Life**Definition of panel service life**

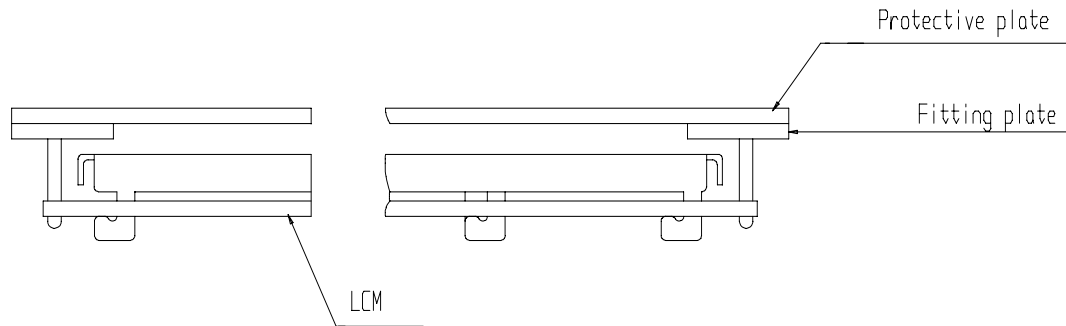
- 100,000 hours minimum at 25° C ±10%
- Contrast becomes 30% of initial value
- Current consumption becomes three times higher than initial value
- Remarkable alignment deterioration occurs in LCD cell layer
- Unusual operation occurs in display functions

5. PRECAUTIONS FOR USING LCD MODULES

Installing LCD Modules

The hole in the printed circuit board is used to fix LCM as shown in the picture below. Attend to the following items when installing the LCM.

- 1) Cover the surface with a transparent protective plate to protect the polarizer and LC cell.



- 2) When assembling the LCM into other equipment, the spacer to the bit between the LCM and the fitting plate should have enough height to avoid causing stress to the module surface, refer to the individual specifications for measurements. The measurement tolerance should be ± 0.1 mm.

Precaution for Handling LCD Modules

Since LCM has been assembled and adjusted with a high degree of precision, avoid applying excessive shocks to the module or making any alterations or modifications to it.

- 1) Cover the surface with a transparent protective plate to protect the polarizer and LC cell.
- 2) Do not alter, modify or change the shape of the tab on the metal frame.
- 3) Do not make extra holes on the printed circuit board, modify its shape or change the positions of components to be attached.
- 4) Do not damage or modify the pattern writing on the printed circuit board.
- 5) Absolutely do not modify the zebra rubber strip (conductive rubber) or heat seal connector.
- 6) Except for soldering the interface, do not make any alterations or modifications with a soldering iron.
- 7) Do not drop, bend or twist LCM.

Electro-Static Discharge Control

Since this module uses a CMOS LSI, the same careful attention should be paid to electrostatic discharge as for an ordinary CMOS IC.

- 1) Make certain that you are grounded when handling LCM.
- 2) Before remove LCM from its packing case or incorporating it into a set, be sure the module and your body have the same electric potential.
- 3) When soldering the terminal of LCM, make certain the AC power source for the soldering iron does not leak.
- 4) When using an electric screwdriver to attach LCM, the screwdriver should be of ground potentiality to minimize as much as possible any transmission of electromagnetic waves produced sparks coming from the commutator of the motor.
- 5) As far as possible make the electric potential of your work clothes and that of the work bench the ground potential.
- 6) To reduce the generation of static electricity be careful that the air in the work is not too dried. A relative humidity of 50%-60% is recommended.

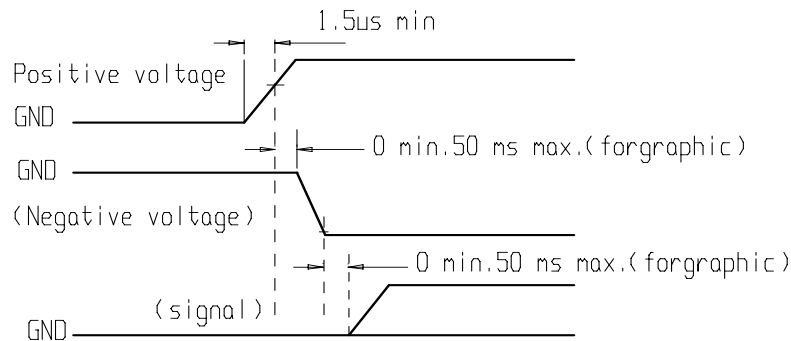
Precaution for soldering to the LCM

- 1) Observe the following when soldering lead wire, connector cable and etc. to the LCM.
 - a) Soldering iron temperature : $280^{\circ}\text{C} \pm 10^{\circ}\text{C}$.
 - b) Soldering time : 3-4 sec.
- 2) Solder : eutectic solder.

- 3) If soldering flux is used, be sure to remove any remaining flux after finishing to soldering operation. (This does not apply in the case of a non-halogen type of flux.) It is recommended that you protect the LCD surface with a cover during soldering to prevent any damage due to flux spatters.
- 4) When soldering the electroluminescent panel and PC board, the panel and board should not be detached more than three times. This maximum number is determined by the temperature and time conditions mentioned above, though there may be some variance depending on the temperature of the soldering iron.
- 5) When remove the electroluminescent panel from the PC board, be sure the solder has completely melted, the soldered pad on the PC board could be damaged.

Precautions for Operation

- 1) Viewing angle varies with the change of liquid crystal driving voltage (VO). Adjust VO to show the best contrast.
- 2) Driving the LCD in the voltage above the limit shortens its life.
- 3) Response time is greatly delayed at temperature below the operating temperature range. However, this does not mean the LCD will be out of the order. It will recover when it returns to the specified temperature range.
- 4) If the display area is pushed hard during operation, the display will become abnormal. However, it will return to normal if it is turned off and then back on.
- 5) Condensation on terminals can cause an electrochemical reaction disrupting the terminal circuit. Therefore, it must be used under the relative condition of 40°C , 50% RH.
- 6) When turning the power on, input each signal after the positive/negative voltage becomes stable.



Safety

- If the LCD panel breaks, be careful not to get the liquid crystal in your mouth. If the liquid crystal touches your skin or clothes, wash it off immediately using soap and plenty of water.

Handling

- The display panel is made of glass. Do not subject it to a mechanical shock by dropping it or impact.
- If the display panel is damaged and the liquid crystal substance leaks out, be sure not to get any in your mouth. If the substance contacts your skin or clothes, wash it off using soap and water.
- Do not apply excessive force to the display surface or the adjoining areas since this may cause the color tone to vary.
- The polarizer covering the display surface of the LCD module is soft and easily scratched. Handle this polarizer carefully.
- If the display surface becomes contaminated, breathe on the surface and gently wipe it with a soft dry cloth. If it is heavily contaminated, moisten cloth with one of the following solvents :
 - Isopropyl alcohol
 - Ethyl alcohol
- Solvents other than those above-mentioned may damage the polarizer. Especially, do not use the following.
 - Water
 - Ketone
 - Aromatic solvents
- Exercise care to minimize corrosion of the electrode. Corrosion of the electrodes is accelerated by water droplets, moisture condensation or a current flow in a high-humidity environment.
- Install the LCD Module by using the mounting holes. When mounting the LCD module make sure it is free of twisting, warping and distortion. In particular, do not forcibly pull or bend the I/O cable or the backlight cable.
- Do not attempt to disassemble or process the LCD module.
- NC terminal should be open. Do not connect anything.
- If the logic circuit power is off, do not apply the input signals.

- To prevent destruction of the elements by static electricity, be careful to maintain an optimum work environment.
 - Be sure to ground the body when handling the LCD modules.
 - Tools required for assembling, such as soldering irons, must be properly grounded.
 - To reduce the amount of static electricity generated, do not conduct assembling and other work under dry conditions.
 - The LCD module is coated with a film to protect the display surface. Exercise care when peeling off this protective film since static electricity may be generated.

Storage

- When storing the LCD modules, avoid exposure to direct sunlight or to the light of fluorescent lamps
- Store the module in a dark place where the temperature is $25^{\circ}\text{C} \pm 10^{\circ}\text{C}$ and the humidity below 65% RH.
- Do not store the module near organic solvents or corrosive gases.
- Do not crush, shake, or jolt the module (including accessories).

Cleaning

- Do not wipe the polarizing plate with a dry cloth, as it may scratch the surface.
- Wipe the module gently with soft cloth soaked with a petroleum benzene.
- Do not use ketonic solvents (ketone and acetone) or aromatic solvents (toluene and xylene), as they may damage the polarizing plate.

Others:

- Liquid crystals solidify under low temperature (below the storage temperature range) leading to defective orientation or the generation of air bubbles (black or white). Air bubbles may also be generated if the module is subject to a low temperature.
- If the LCD modules have been operating for a long time showing the same display patterns, the display patterns may remain on the screen as ghost images and a slight contrast irregularity may also appear. A normal operating status can be regained by suspending use for some time. It should be noted that this phenomenon does not adversely affect performance reliability.
- To minimize the performance degradation of the LCD modules resulting from destruction caused by static electricity etc., exercise care to avoid holding the following sections when handling the modules.
 - Exposed area of the printed circuit board.
 - Terminal electrode sections.