

isc Silicon NPN Power Transistor

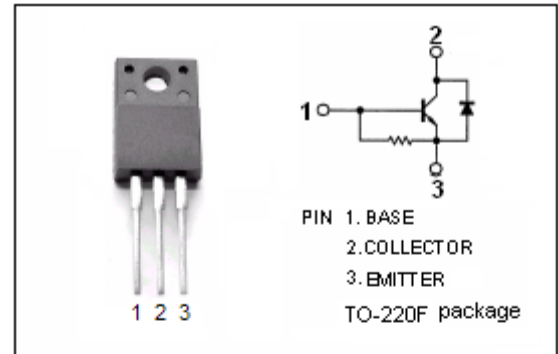
2SC5885

DESCRIPTION

- High Breakdown Voltage-
: $V_{CBO} = 1500V$ (Min)
- Wide Area of Safe Operation
- Built-in Damper Diode

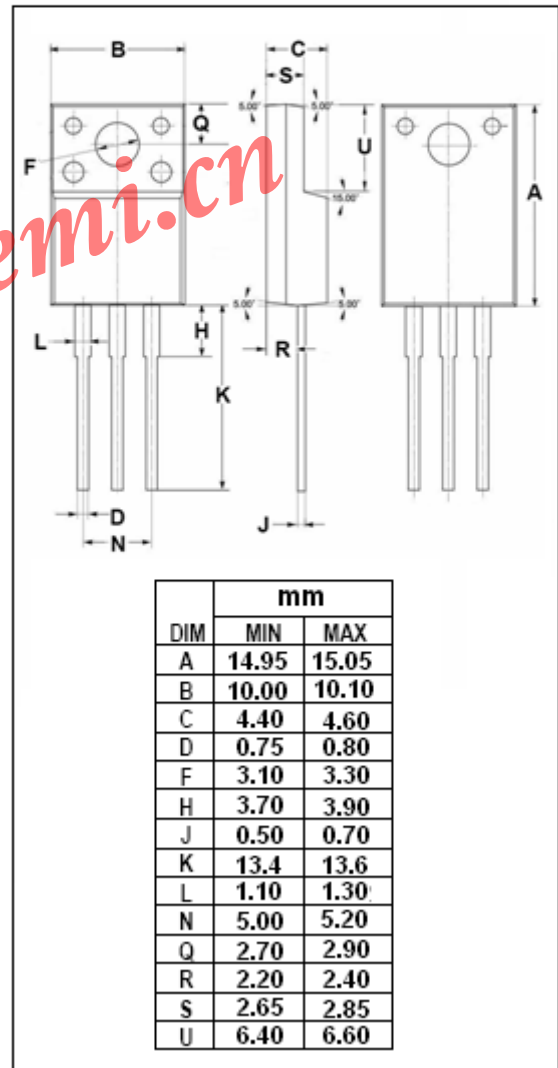
APPLICATIONS

- Horizontal deflection output for TV, CRT monitor applications.



ABSOLUTE MAXIMUM RATINGS($T_a=25^{\circ}C$)

SYMBOL	PARAMETER	VALUE	UNIT
V_{CBO}	Collector-Base Voltage	1500	V
V_{CES}	Collector-Emitter Voltage	1500	V
V_{EBO}	Emitter-Base Voltage	5	V
I_C	Collector Current- Continuous	6	A
I_B	Base Current- Continuous	3	A
I_{CP}	Collector Current-Pulse	9	A
P_C	Collector Power Dissipation @ $T_a=25^{\circ}C$	2	W
	Collector Power Dissipation @ $T_c=25^{\circ}C$	30	
T_J	Junction Temperature	150	$^{\circ}C$
T_{stg}	Storage Temperature Range	-55~150	$^{\circ}C$



isc Silicon NPN Power Transistor

2SC5885

ELECTRICAL CHARACTERISTICS

 $T_C=25^{\circ}\text{C}$ unless otherwise specified

SYMBOL	PARAMETER	CONDITIONS	MIN	TYP.	MAX	UNIT
$V_{(BR)EBO}$	Emitter-Base Breakdown Voltage	$I_E=500\text{mA}; I_C=0$	5			V
$V_{CE(sat)}$	Collector-Emitter Saturation Voltage	$I_C=3\text{A}; I_B=0.75\text{A}$			2.5	V
$V_{BE(sat)}$	Base-Emitter Saturation Voltage	$I_C=3\text{A}; I_B=0.75\text{A}$			1.5	V
I_{CBO}	Collector Cutoff Current	$V_{CB}=1000\text{V}; I_E=0$ $V_{CB}=1500\text{V}; I_E=0$			50 1.0	μA mA
h_{FE}	DC Current Gain	$I_C=3\text{A}; V_{CE}=5\text{V}$	5		10	
V_{ECF}	C-E Diode Forward Voltage	$I_F=3\text{A}$			2.0	V
f_T	Current-Gain—Bandwidth Product	$I_C=0.1\text{A}; V_{CE}=10\text{V}; f=0.5\text{MHz}$		3		MHz

Switching times; Resistive load

t_{stg}	Storage Time	$I_C=3\text{A}; I_{B1}=0.75\text{A}; I_{B2}=-1.5\text{A}$			5.0	μs
t_f	Fall Time				0.5	μs