

Broadband CATV Single Ended 2-Way Active Splitter 50 - 1100 MHz

Rev. V1

Features

- 2-Way Splitter
- Single Ended Input and Outputs
- 3 dB Gain
- +15 dBmV /Channel Input
- 4 dB Noise Figure
- Single +5 Volt Supply
- Lead-Free 2 mm 8-Lead PDFN Package
- Halogen-Free "Green" Mold Compound
- RoHS* Compliant and 260°C Reflow Compatible

Description

M/A-COM's MAAM-008818 CATV 2-way active splitter is a GaAs MMIC which exhibits low noise figure and distortion in a lead-free 2mm 8-lead PDFN plastic package. The design features 75 Ω inputs and outputs.

The MAAM-008818 is ideally suited for multi-tuner set top boxes, home gateways, and other broadband internet based appliances.

The MAAM-008818 is fabricated using M/A-COM's PHEMT process to realize low noise and low distortion. The process features full passivation for robust performance and reliability.

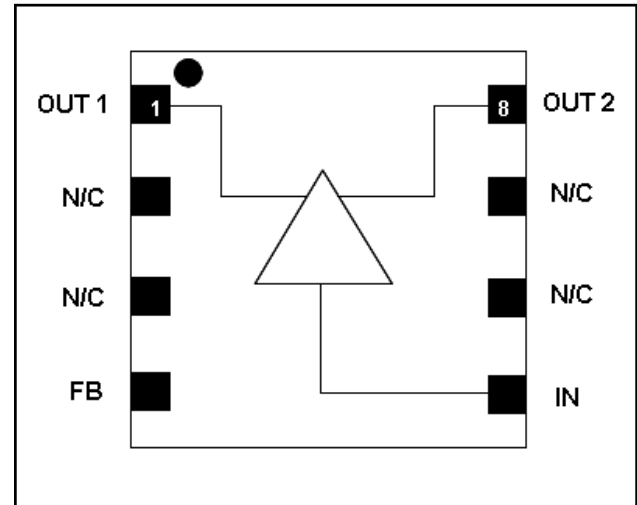
Ordering Information ^{1,2}

Part Number	Package
MAAM-008818-TR1000	1000 piece reel
MAAM-008818-TR3000	3000 piece reel
MAAM-008818-001SMB	Sample Test Board

1. Reference Application Note M513 for reel size information.
2. All sample boards include 5 loose parts.

* Restrictions on Hazardous Substances, European Union Directive 2002/95/EC.

Functional Schematic



Pin Configuration

Pin No.	Pin Name	Description
1	OUT1	RF Output 1
2	N/C	No Connection
3	N/C	No Connection
4	FB	Feedback/Bias
5	IN	RF Input
6	N/C	No Connection
7	N/C	No Connection
8	OUT2	RF Output 2
9	Paddle ³	RF and DC Ground

3. The exposed pad centered on the package bottom must be connected to RF and DC ground.

Broadband CATV Single Ended 2-Way Active Splitter 50 - 1100 MHz

Rev. V1

Electrical Specifications: Freq. = 1000 MHz, T_A = 25°C, V_{DD} = +5 Volts, Z₀ = 75 Ω

Parameter	Test Conditions	Units	Min.	Typ.	Max.
Gain	IN to OUT1, IN to OUT2	dB	2.8	3.6	4.8
Gain Flatness	IN to OUT1, IN to OUT2	dB	—	0.6	—
Noise Figure	IN to OUT1, IN to OUT2	dB	—	4	—
Input Return Loss	IN	dB	—	12	—
Output Return Loss	OUT1, OUT2	dB	—	17	—
Composite Triple Beat, CTB	132 channels, +15 dBmV/channel at the input	dBc	—	-63	—
Composite Second Order, CSO	132 channels, +15 dBmV/channel at the input	dBc	—	-60	—
Reverse Isolation	OUT1 to IN, OUT2 to IN	dB	—	28	—
Output to Output Isolation	OUT1 to OUT2	dB	—	21	—
Output Power at 1dB Compression, P _{1dB}	IN to OUT1, IN to OUT2	dBm	—	9	—
Output 3rd Order Intercept Point, OIP ₃	500MHz, 2-tone, 6MHz spacing, -15 dBm P _{out} IN to OUT1, IN to OUT2	dBm	—	25	—
Output 2nd Order Intercept Point, OIP ₂	500MHz, 2-tone, 6MHz spacing, -15 dBm P _{out} IN to OUT1, IN to OUT2	mA	—	46	—
I _{DD}	V _{DD} = +5 Volts	mA	—	120	150

Absolute Maximum Ratings ^{4,5,6,7}

Parameter	Absolute Maximum
Max Input Power	+12 dBm
V _{bias}	+10.0 V
Operating Temperature	-20°C to +85°C
Storage Temperature	-65°C to +150°C

- Exceeding any one or combination of these limits may cause permanent damage to this device.
- M/A-COM does not recommend sustained operation near these survivability limits.
- These operating conditions will ensure MTTF > 1 x 10⁶ hours.
- Junction Temperature (T_J) = T_C + Θ_{JC} * ((V * I) - (P_{OUT} - P_{IN}))
Typical thermal resistance (Θ_{JC}) = 77° C/W.
 - For T_C = 25°C,
T_J = 71 °C @ 5 V, 120 mA
 - For T_C = 85°C,
T_J = 127 °C @ 5 V, 110 mA

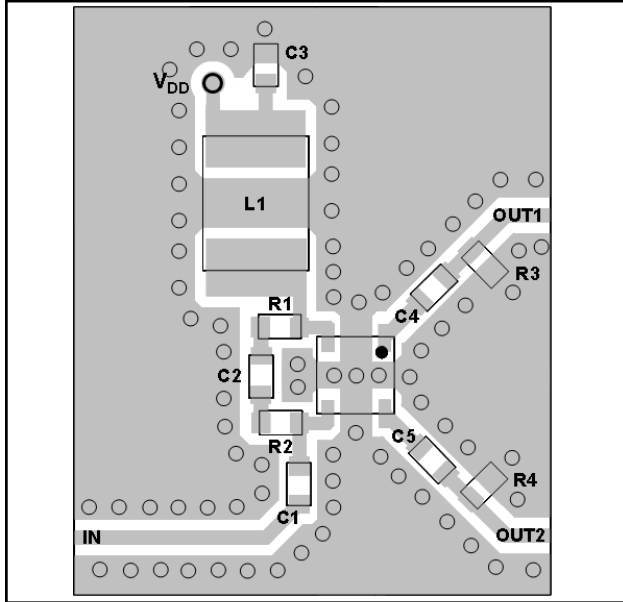
Handling Procedures

Please observe the following precautions to avoid damage:

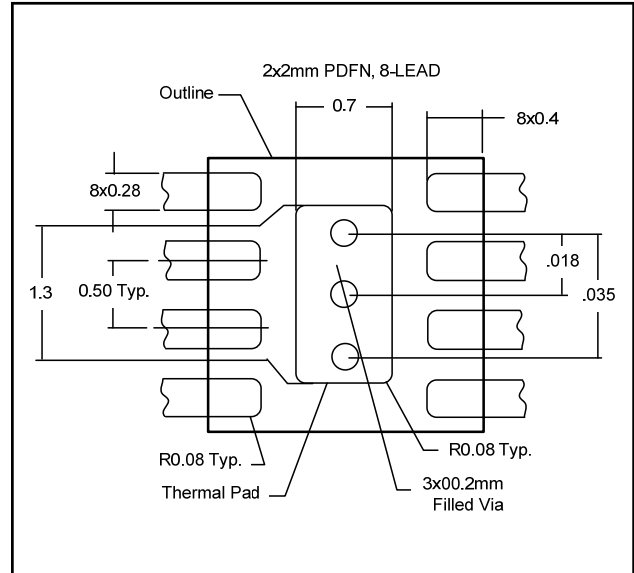
Static Sensitivity

Gallium Arsenide Integrated Circuits are sensitive to electrostatic discharge (ESD) and can be damaged by static electricity. Proper ESD control techniques should be used when handling these devices.

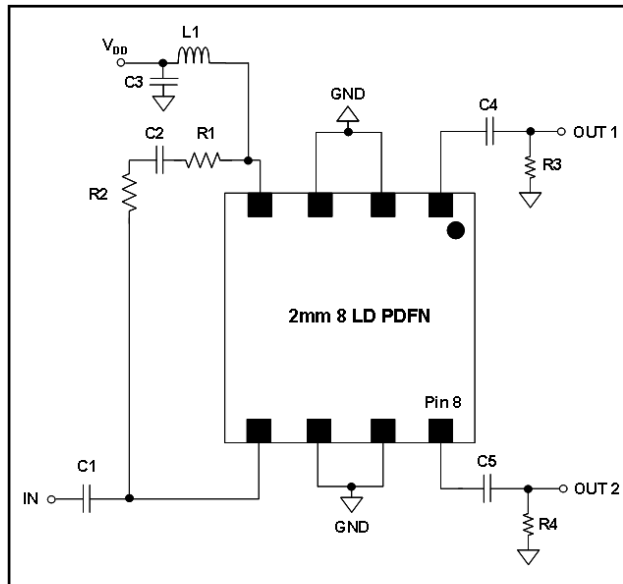
Recommended PCB



PCB Land Pattern



Schematic Including Off-Chip Components⁸



8. The exposed pad centered on the package bottom must be connected to ground for RF, DC and thermal considerations.

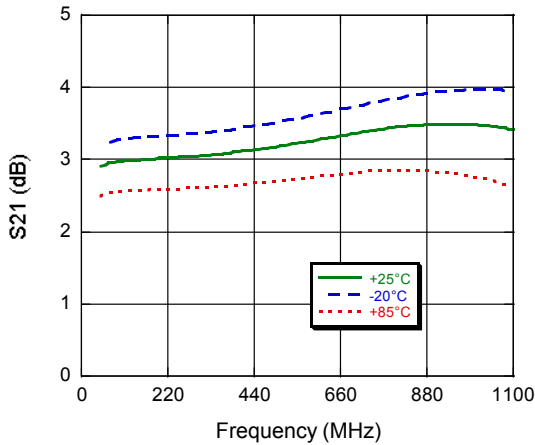
Off-Chip Component Values⁹

Component	Value	Package
C1 - C5	0.01 μ F	0402
L1 ⁹	1 μ H	1210
R1, R2	180 Ω	0402
R3, R4	100 Ω	0402

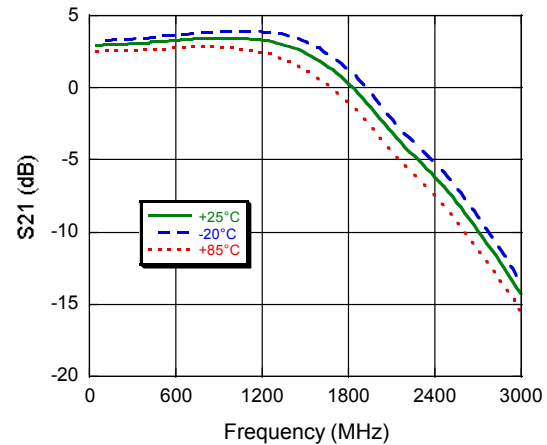
9. L1 supplied from EPCOS, part number B82422A1102K100

Typical Performance Curves

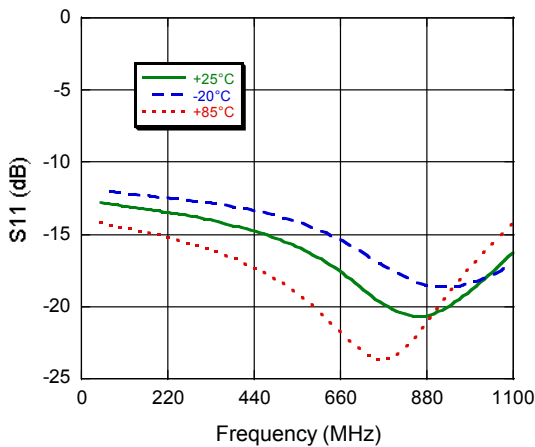
Gain to 1100 MHz
Typical All Outputs



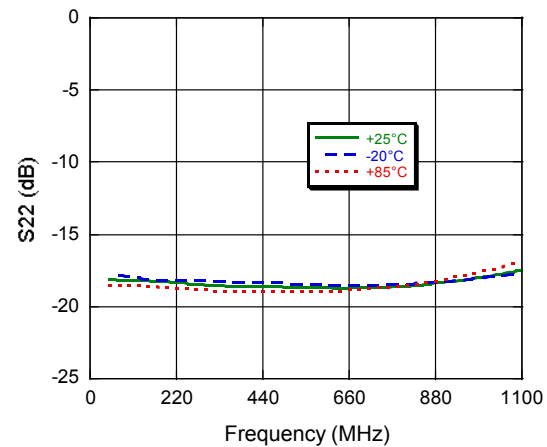
Gain to 3000 MHz
Typical All Outputs



Input Return Loss

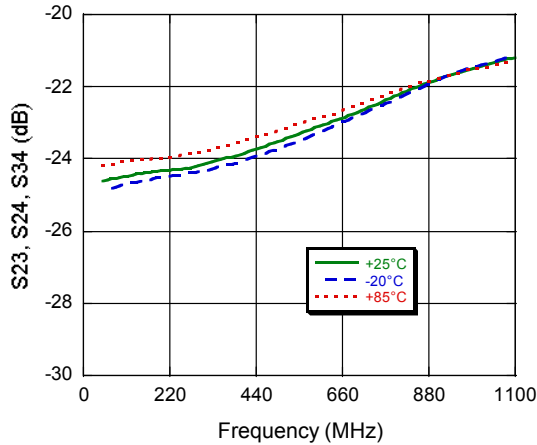


Output Return Loss
Typical All Outputs

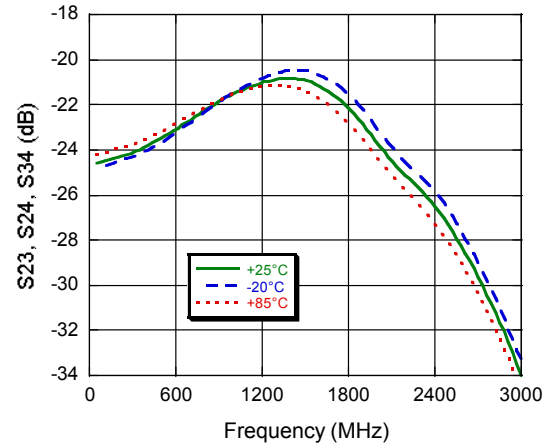


Typical Performance Curves

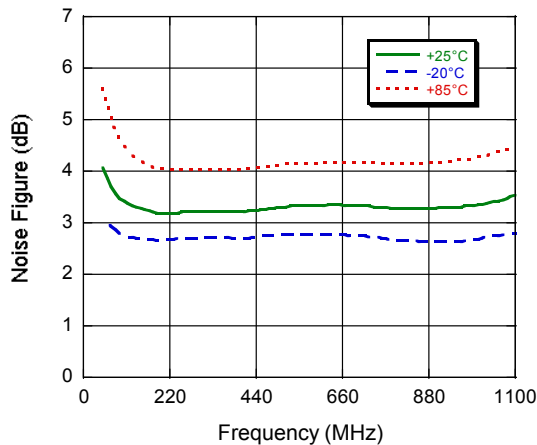
OUT-OUT Isolation to 1100 MHz
Typical Between All Outputs



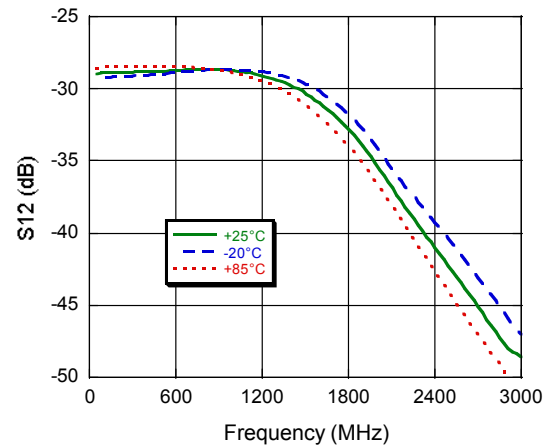
OUT-OUT Isolation to 3000 MHz
Typical Between All Outputs



Noise Figure
Typical All Outputs



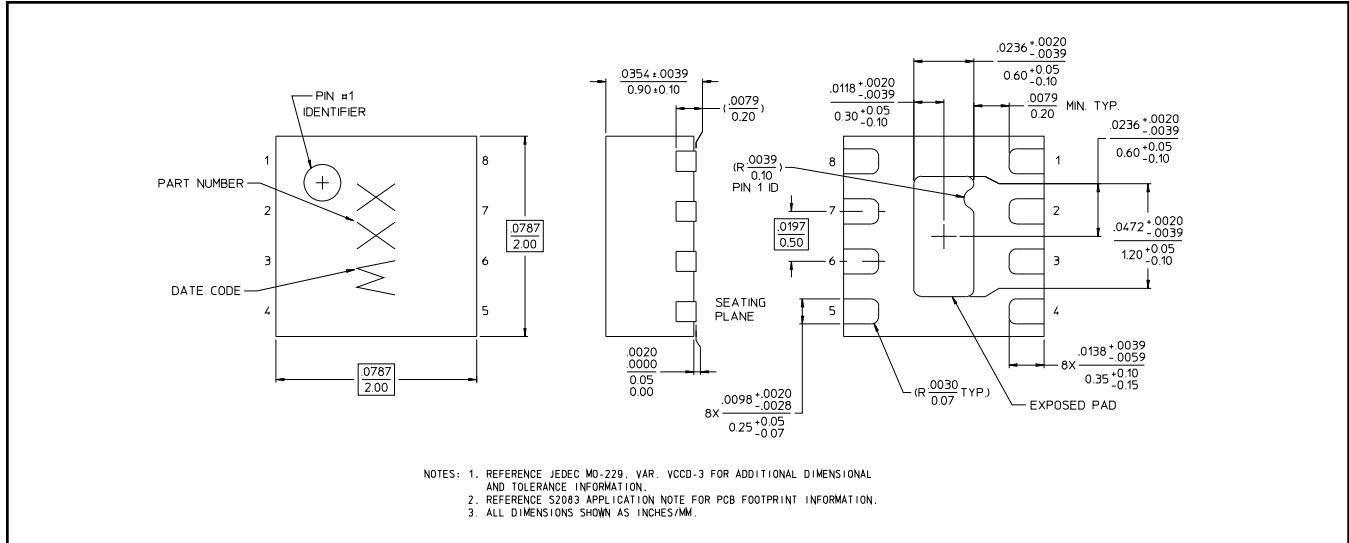
Reverse Isolation to 3000 MHz
Typical From All Outputs to Input



Broadband CATV Single Ended 2-Way Active Splitter 50 - 1100 MHz

Rev. V1

Lead-Free 2 mm 8-Lead PDFN[†]



[†] Reference Application Note M538 for lead-free solder reflow recommendations.
 Meets JEDEC moisture sensitivity level 1 requirements.
 Plating is 100% matte tin over copper.