

AS85049/79 EMI/RFI Environmental Backshell



EMI/RFI
Environmental
Backshells

Glenair Connector
Designator H

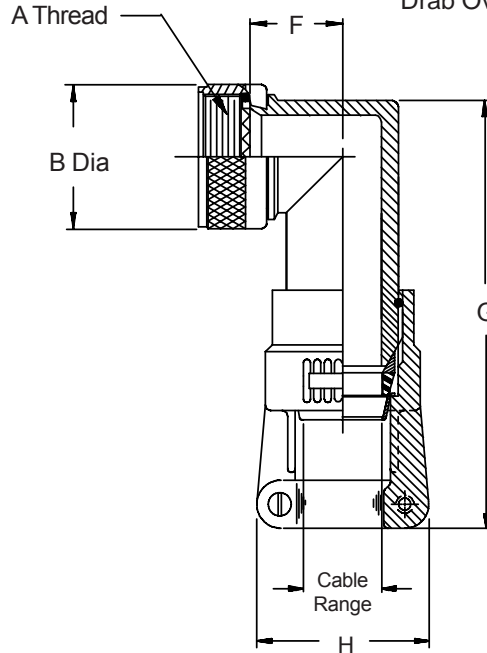
MIL-DTL-38999
Series III & IV,
EN3645

M85049/79-11 W 01

Basic Part No. _____ Clamp Size

Shell Size _____ Finish

N = Electroless Nickel
W = 1,000 Hour Cadmium Olive
Drab Over Electroless Nickel



Shell Size	A Thread Class 2B	B Dia Max
9	M12 X 1 - 6H	.75 (19.1)
11	M15 X 1 - 6H	.85 (21.6)
13	M18 X 1 - 6H	1.00 (25.4)
15	M22 X 1 - 6H	1.15 (29.2)
17	M25 X 1 - 6H	1.25 (31.8)
19	M28 X 1 - 6H	1.40 (35.6)
21	M31 X 1 - 6H	1.55 (39.4)
23	M34 X 1 - 6H	1.65 (41.9)
25	M37 X 1 - 6H	1.85 (47.0)

Shell Size	Clamp Size		F		G	
	Min	Max	±.062	(1.6)	±.062	(1.6)
09	01	02	.438	(11.1)	3.141	(79.8)
11	01	03	.533	(13.5)	3.261	(82.8)
13	02	04	.548	(13.9)	3.281	(83.3)
15	02	05	.638	(16.2)	3.351	(85.1)
17	02	06	.823	(20.9)	3.441	(87.4)
19	03	07	.913	(23.2)	3.611	(91.7)
21	03	08	.913	(23.2)	3.611	(91.7)
23	03	09	1.063	(27.0)	3.721	(94.5)
25	04	10	1.063	(27.0)	3.721	(94.5)

Clamp Size	Cable Range		H Max
	Min	Max	
01	.062 (1.6)	.125 (3.2)	.80 (20.3)
02	.125 (3.2)	.250 (6.4)	1.00 (25.4)
03	.250 (6.4)	.375 (9.5)	1.10 (27.9)
04	.375 (9.5)	.500 (12.7)	1.20 (30.5)
05	.500 (12.7)	.625 (15.9)	1.25 (31.8)
06	.625 (15.9)	.750 (19.1)	1.40 (35.6)
07	.750 (19.1)	.875 (22.2)	1.50 (38.1)
08	.875 (22.2)	1.000 (25.4)	1.65 (41.9)
09	1.000 (25.4)	1.125 (28.6)	1.75 (44.5)
10	1.125 (28.6)	1.250 (31.8)	1.90 (48.3)

1. For complete dimensions see applicable Military Specification.
2. Metric dimensions (mm) are indicated in parentheses.
3. Cable range is defined as the accommodation range for the wire bundle or cable.
Dimensions shown are not intended for inspection criteria.