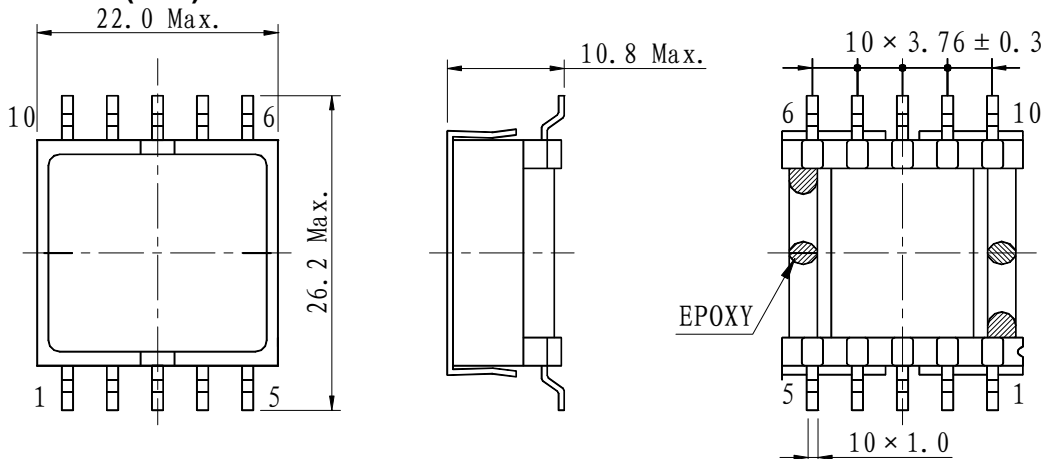
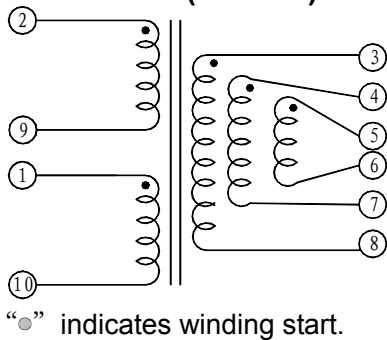
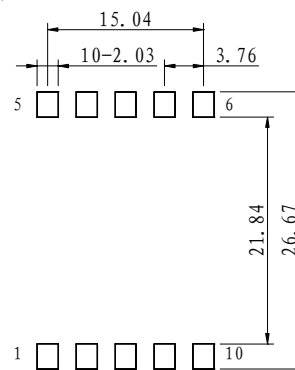


Type: CEFD2010B
◆ Product Description

- 26.2×22.0mm Max.(L×W), 10.8mmMax. Height.
- In addition to the typical versions of parameters shown here, custom parameters are available to meet your exact requirements.


◆ Feature

- Max. Operating frequency 300kHz,Max. Operating Power 19.0(100kHz).
- Ideally used in PoE transformer.
- RoHS Compliance

◆ Dimensions (mm)

◆ Schematics (Bottom)

◆ Land Pattern

◆ Specification

Sample No.	Turns Ratio (Pri:Sec:Aux)	Primary Inductance 100kHz/0.1V	Pri-Sec. Insulation	Leakage L (μ H Max.)	D.C.R. ($m\Omega$ Max.)		
					Pri.	Aux.	Sec.
PS05-047	1:0.125:0.438	36μ H \pm 10%	AC1500Vrms (0.5mA/60Hz,2s)	1.7	75	75	4.5