

## EPJ9011-4-S8

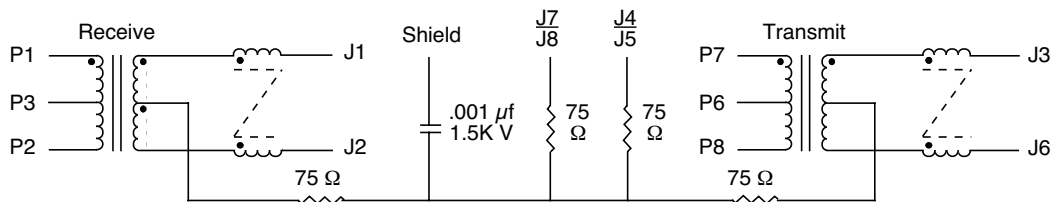
- Space Saving RJ-45 Connectors
- Includes Common Mode Choke
- UL94V-0 Rated Connector Housing
- Complete Bob Smith Termination Included

### Electrical Parameters @ 25° C

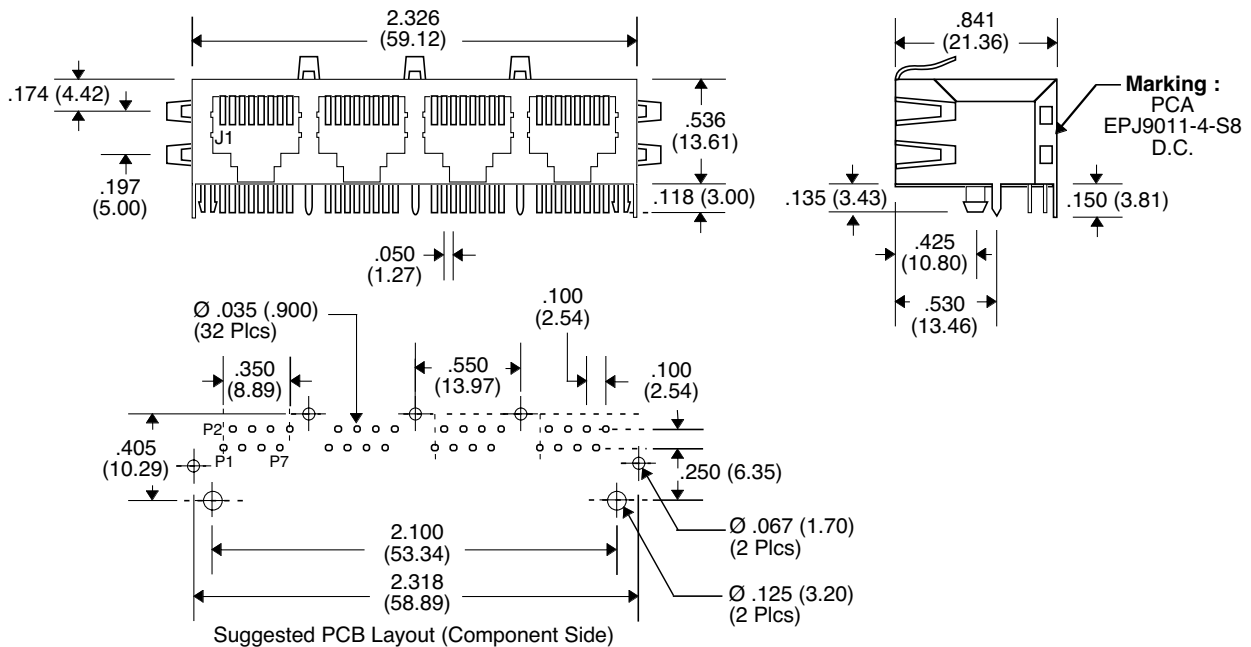
Turns Ratio	OCL (μH Min.)	Insertion Loss (dB Max.)	Return Loss (dB Min.)				CMRR (dB Min.)			Crosstalk (dB Min.)		
			30 MHz	40 MHz	50 MHz	60-80 MHz	30 MHz	60 MHz	100 MHz	30 MHz	60 MHz	100 MHz
Xmit/Rcv	@ 100 KHZ, 0.1 V 8 mA DC Bias	0.1-100 MHz	30 MHz	40 MHz	50 MHz	60-80 MHz	30 MHz	60 MHz	100 MHz	30 MHz	60 MHz	100 MHz
1:1/ 1:1	350	-1.0	-18	-16	-14	-12	-30	-25	-20	-40	-35	-30

• Isolation : 1500 Vrms •

### Schematic



### Package



Unless Otherwise Specified Dimensions are in Inches /mm ± .010 / .25