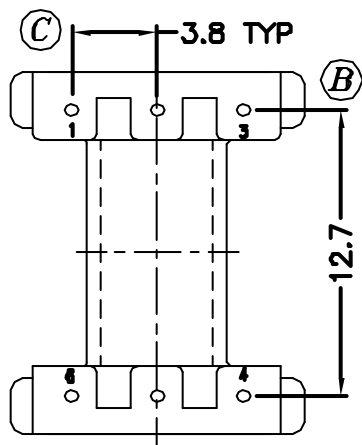
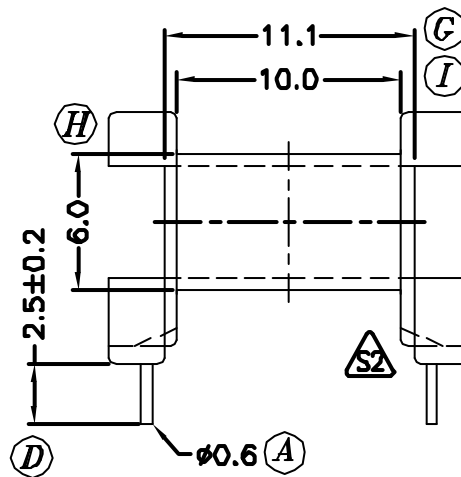
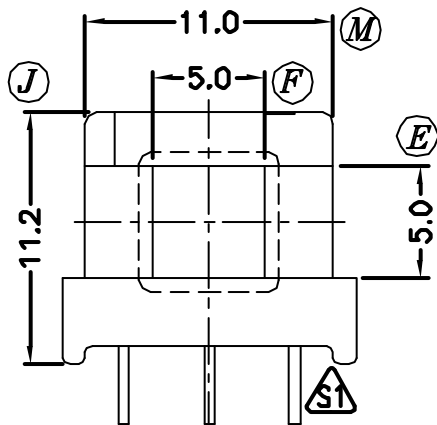
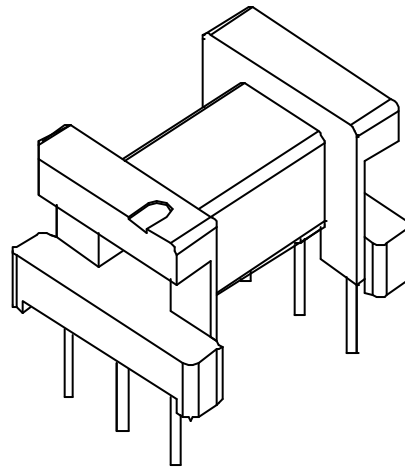
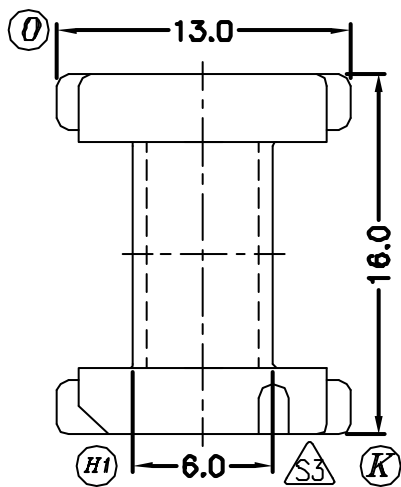


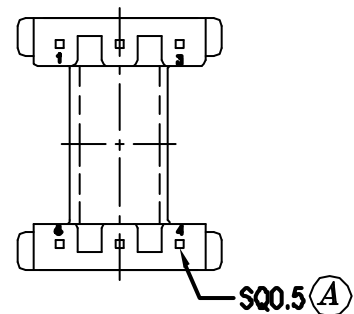
FERYSTER Inductive Components

ul. Traugutta 4, 68-120 Iłowa Poland

http://www.feryster.com.pl e-mail: info@feryster.com.pl



DRAWING NO.	MATERIAL:	ORIGIN:
P-1619-1	PHENOLIC T375J	DG



DOSTAWCA:

TOLERANCES	
0 <math>< L \leq 4</math>	± 0.1
4 <math>< L \leq 16</math>	0.2
16 <math>< L \leq 63</math>	± 0.3

COPLANARITY ± 0.2 MAX

ANGLE: $\pm 1^\circ$
UNIT: MM

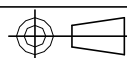
TITLE: **EF16-K-H-6P-SS**

BOBBIN MATERIAL: PHENOLIC T375J UL REC. UL 94V-0

FERYSTER Inductive Components
Tel: +48 68 360 00 76 fax: +48 68 360 00 70

ORIGIN: DG

PIN MATERIAL: CP WIRE PIN TENSION LOAD: 1.5 KG MIN



DATE: APR 01.2003

DRAWING NO. P-1619

REV. 4