

# GOG9xx27

## THREE PHASE AC-DC BRIDGE

Fuse protection  
Blown fuse indicators with microswitch  
Over temperature switches  
Fan loss detection circuit  
Snubber for SCR's protections  
Extractible stacks for easy field service

**LINE VOLTAGE UP TO 690V**

**DC OUTPUT CURRENT 2700 A**

**GOG94027    GOG95027    GOG96027**

Line to line voltage	<b>400 V</b>	<b>500 V</b>	<b>690 V</b>
----------------------	--------------	--------------	--------------

Characteristic		Conditions	Value	Value	Value
I <sub>DC</sub>	DC output current		2700 A	2700 A	2700 A
V <sub>INS</sub> (rms)	Insulation voltage		3000 V	3000 V	3000 V

### THYRISTOR CHARACTERISTICS

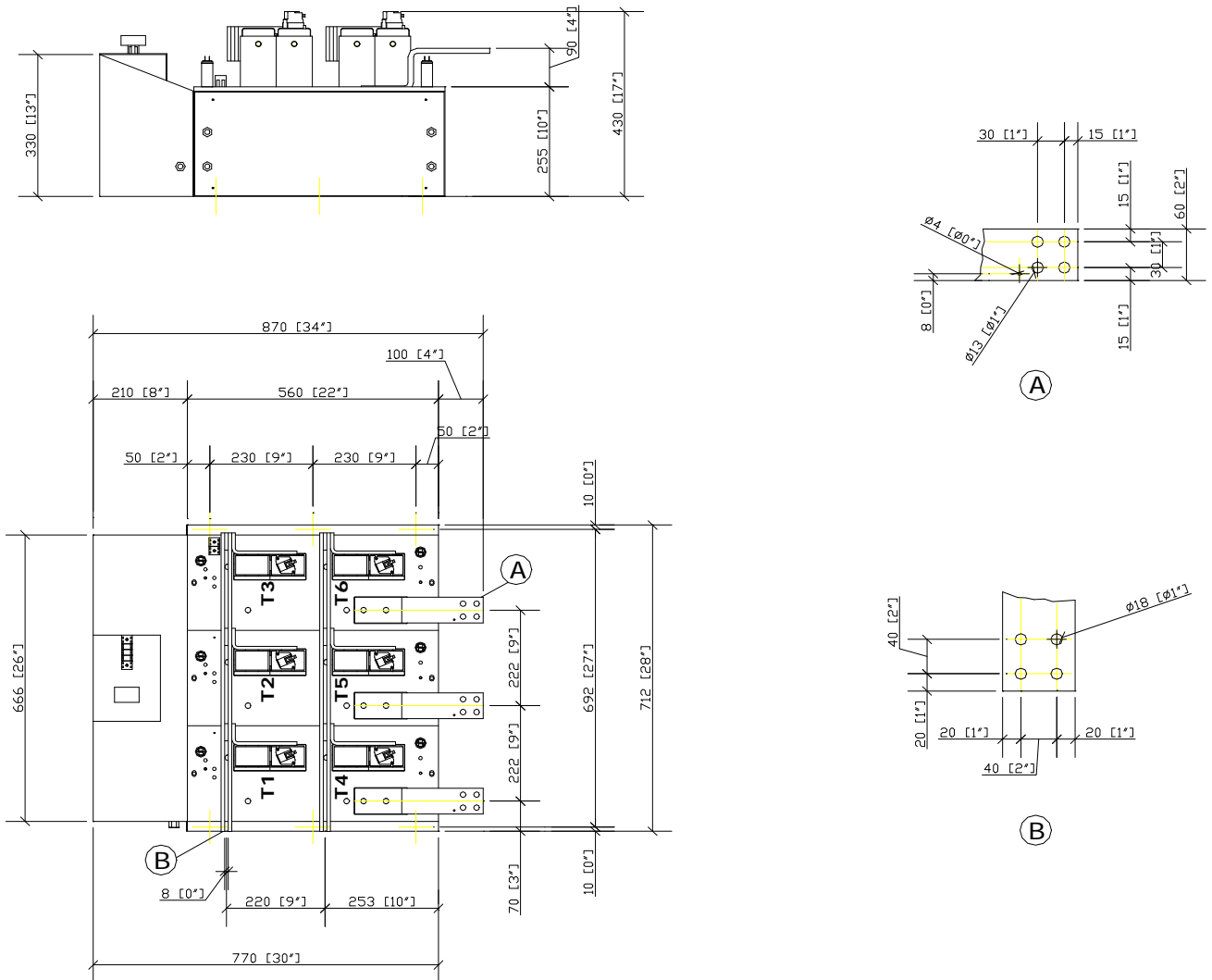
V <sub>GT</sub>	Gate trigger voltage	T <sub>j</sub> = 25 °C, V <sub>d</sub> = 5 V	3 V	3 V	3 V
I <sub>GT</sub>	Gate trigger current	T <sub>j</sub> = 25 °C, V <sub>d</sub> = 5 V	400 mA	400 mA	400 mA
dV/dt	Critical rate of rise off-state voltage	T <sub>j</sub> = 125 °C	1000 V/us	1000 V/us	1000 V/us
V <sub>RRM</sub>	Blocking Voltage	T <sub>j</sub> = 125 °C	1200 V	1600 V	2200 V

### FUSE TYPE: 2 x SIBA 2068132.800

V <sub>NF</sub>	Rated voltage		690 V	690 V	690 V
I <sub>NF</sub>	Rated current		800 A	800 A	800 A
P <sub>VF</sub>	Power loss	At rated current	118 W	118 W	118 W
I <sup>2</sup> t	Total I <sup>2</sup> t	At 660 V	480 kA <sup>2</sup> s	480 kA <sup>2</sup> s	480 kA <sup>2</sup> s

### MECHANICAL AND THERMAL CHARACTERISTICS

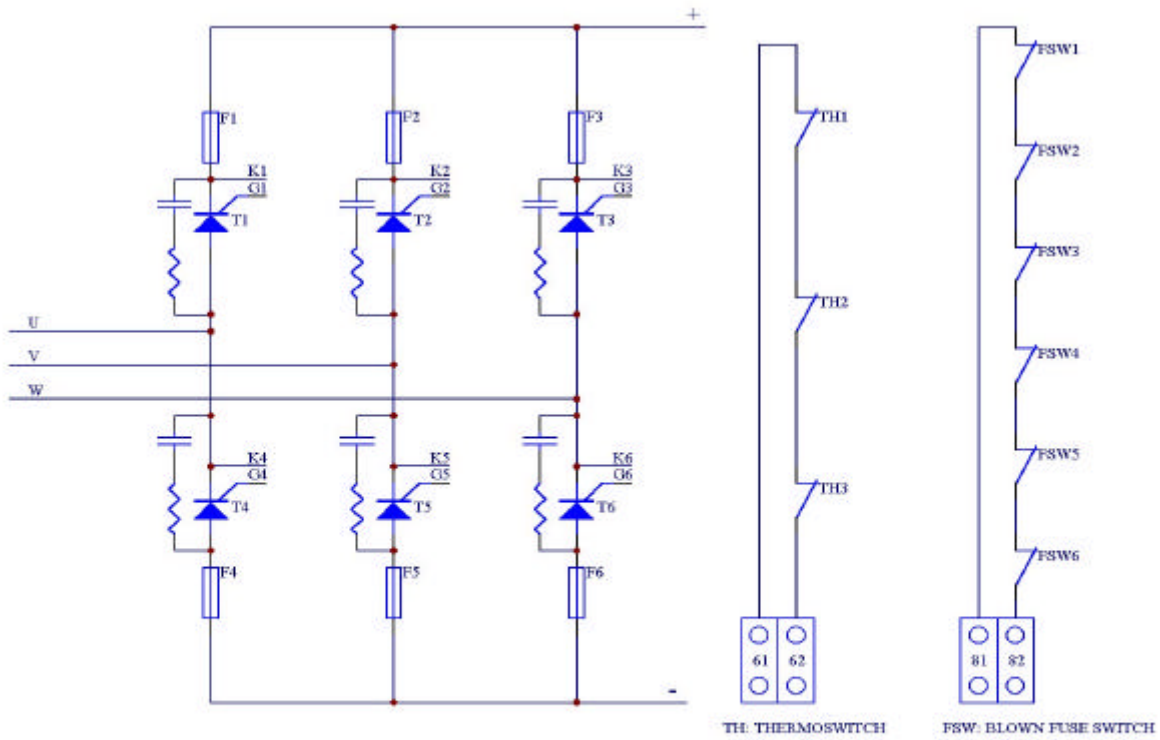
	Width		500 mm	500 mm	712 mm
	Depth		275 mm	275 mm	395 mm
	Height		855 mm	855 mm	855 mm
	Mass		140 kg	140 kg	140 kg
T <sub>a max</sub>	Max amb. op. Temp.		40 °C	40 °C	40 °C
T <sub>stg</sub>	Storage temperature		-40/60 °C	-40/60 °C	-40/60 °C



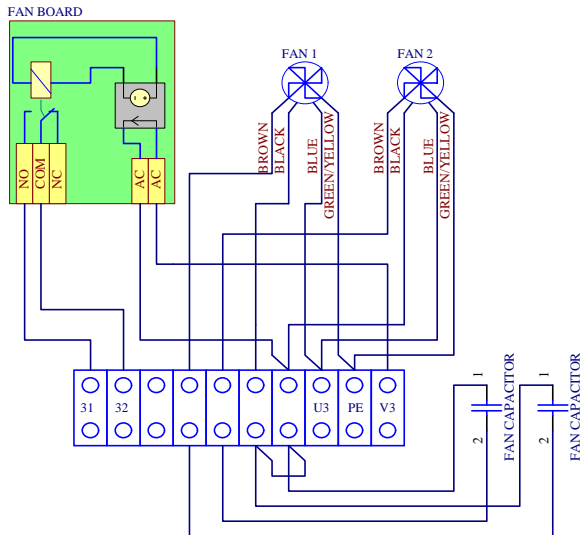
The part numbering system is reported at the beginning of the Open Assembly section.

Customisations are available on request. Please contact factory.

In the interest of product improvement Green Power Solutions reserves the right to change any specification given in this data sheet without notice.



61-62: THERMOSWITCH CIRCUIT CONNECTION  
81-82: BLOWN FUSE SWITCH CIRCUIT CONNECTION



U3-V3: MAIN SUPPLY  
PE: GROUND CONNECTION (GND)  
31-32: FAN BOARD CONTACT (CLOSED WHEN FAN RUNNING)

**Cooling:**

- Fan type: single phase axial
- Number of fans: 2
- Voltage: 230 V
- Current: 1.3 A
- Frequency: 50/60 Hz
- Noise: 62 dBA

In the interest of product improvement Green Power Solutions reserves the right to change any specification given in this data sheet without notice.