



## Copper Ethernet SFPs



### Overview

MRV offers three models of Ethernet SFPs for copper media applications. Two of the models support Gigabit Ethernet functionality, and the third one provides unique 10/100 Fast Ethernet solutions.

The SFP-GC-R model supports Gigabit Ethernet with a 1000Base-T interface, and it is designed for Layer 1 network devices that do not incorporate an Ethernet MAC. The SFP-GA-R is designed for use in Layer 2 and above devices such as switches and routers that do incorporate an Ethernet MAC. It supports Gigabit Ethernet with an auto-negotiating 1000Base-T interface. SFP-GC-R and SFP-GA-R models each support MDI/MDI-X auto-detection and jumbo packet sizes over 9,600 bytes.

Installed into MRV products with an available SFP port, the SFP-GC-R plug-ins provide a simple and cost-effective way to merge copper and fiber network segments.

The SFP-GA-R gives network administrators greater flexibility in configuring their SFP-enabled switches and routers, allowing them to use less expensive copper cabling and interfaces for links of 100 meters or less.

The SFP-GC-R and SFP-GA-R do not convert between edge devices of different speeds or duplex mode. Connected edge devices must operate at the same speed and duplex mode to communicate. An edge device that supports auto-negotiation may require specific interface settings for fixed Gigabit Ethernet speed and duplex mode operation.

The SFP-SW10/100R is a unique Fast Ethernet 10/100 Base-TX to 100-FX (system side). It offers auto-negotiation with speed and duplex matching as well as MDI/MDI-X auto-detection. It supports transport of jumbo packets up to 1,600 bytes.

The SFP-SW10/100R can translate between edge devices of different speeds or duplex mode. Connected edge devices may operate at different speeds and duplex modes.

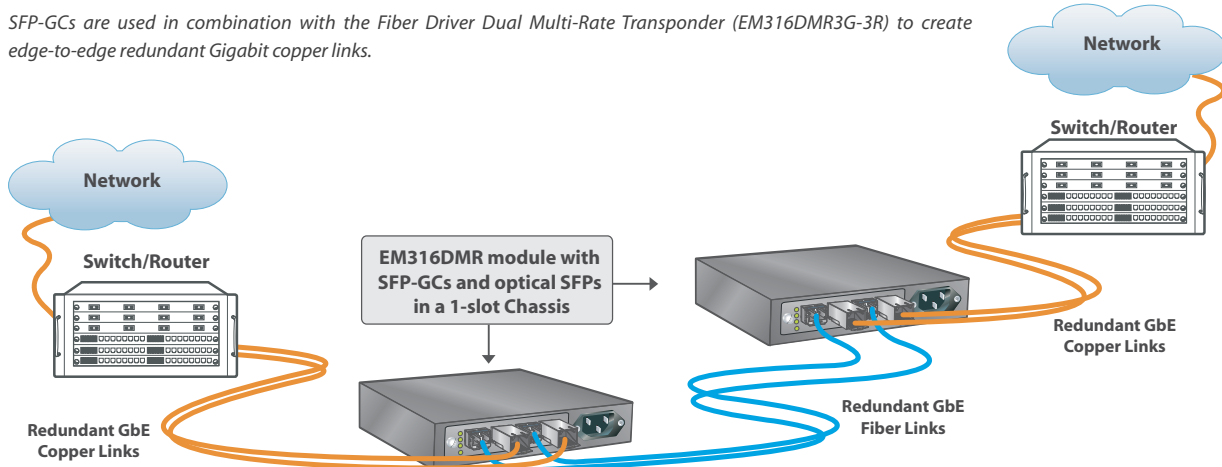
### Features

- SFP-GC-R - 1000Base-T for Layer 1 devices (no MAC)
- SFP-GA-R - 1000Base-T for Layer 2 and above devices (with MAC)
- SFP-SW10/100-R
  - 10/100Base-TX to 100-FX (system)
  - Auto-negotiation
  - Speed and duplex matching
- MDI/MDI-X automatic detection
- Plug-and-play functionality
- Hot-swap support
- Transmitter always on – does not support LIN function
- MSA compliance
- Complete MRV SFP compatibility



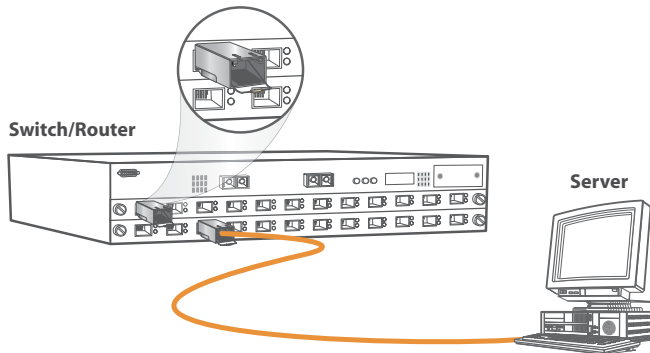
### A. Gigabit Ethernet Copper-to-Fiber Conversion with Redundancy

SFP-GCs are used in combination with the Fiber Driver Dual Multi-Rate Transponder (EM316DMR3G-3R) to create edge-to-edge redundant Gigabit copper links.



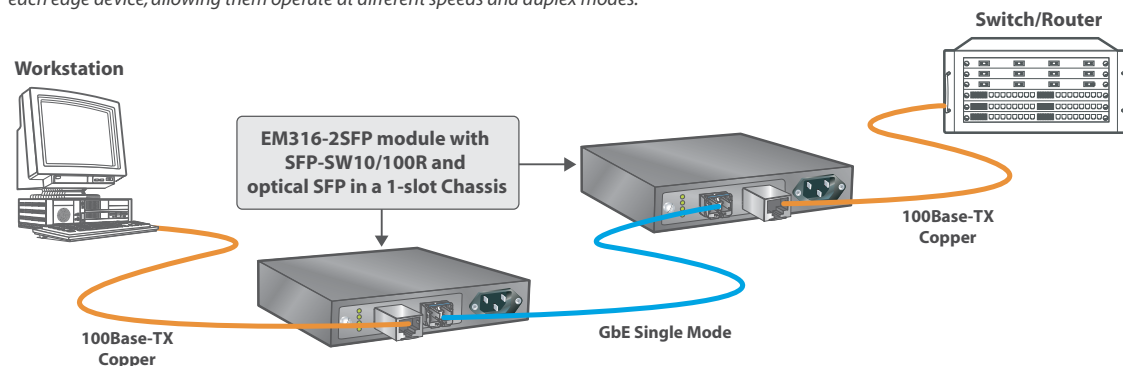
### B. SFP-Enabled GbE Switch/Router

The SFP-GA-R is used in an SFP-enabled GbE switch or router to link to a server configured with a copper GbE NIC.



### C. Fast Ethernet Copper-to-Fiber Conversion

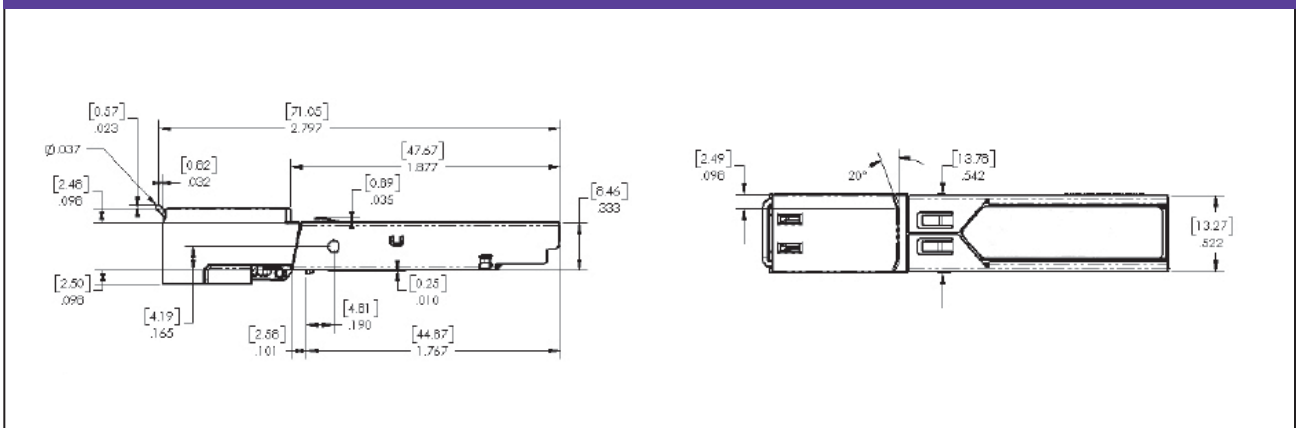
Converting from copper to fiber and back again, SFP-SW10/100R and optical SFPs are used as interfaces in data rate independent Fiber Driver SFP-to-SFP pluggable media modules (EM316-2SFP). The fiber link operates at Fast Ethernet speed. The SFP-SW10/100 matches the speed and duplex mode of each edge device, allowing them operate at different speeds and duplex modes.

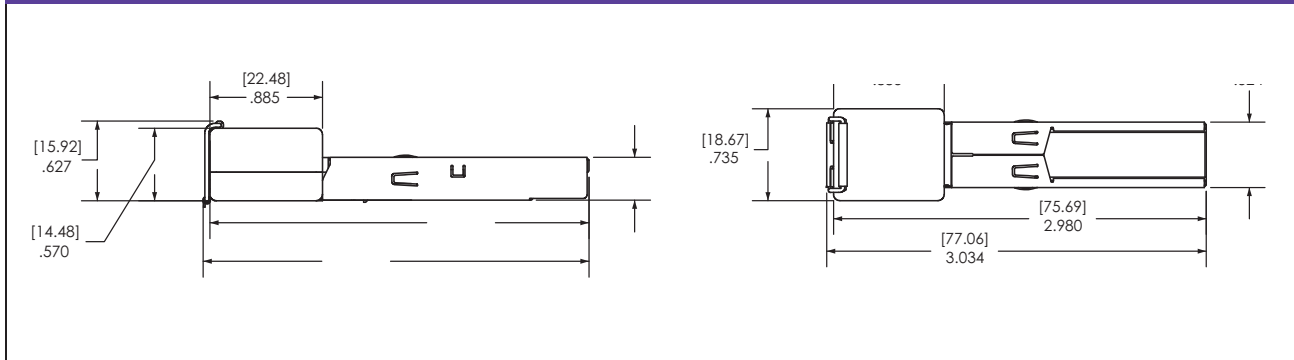



**Physical Specifications**

<b>Operating Temperature Range</b>	0°C to 70°C (32°F to 158°F)
<b>Storage Temperature</b>	-40°C to 85°C (-40°F to 185°F)
<b>Relative Humidity</b>	85% maximum, non-condensing
<b>Power</b>	1.5 W
<b>Regulatory Compliance</b>	FCC Part 15 (Class A); IC (Class A); EMC Directive: Emission (Class A) and Immunity; RoHS Directive;
	China RoHS; WEEE Directive: Wheelie Bin Mark

Comparison Table	SFP-GC-R	SFP-GA-R	SFP-SW10/100-R
<b>RJ-45 connector</b>	Yes	Yes	Yes
<b>Cable type</b>	CAT-5	CAT-5	CAT-5
<b>Maximum cable length (m)</b>	100	100	100
<b>Ethernet Standard</b>	1000 Base-T	1000 Base-T	10/100 Base-TX
<b>Supports speed auto-negotiation</b>	N/A	Yes	Yes
<b>Supports duplex auto-negotiation</b>	N/A	Yes	Yes
<b>Supports auto MDI/MDI-X detect</b>	Yes	Yes	Yes
<b>Match translates between edge devices</b>	No. Both edge devices must operate in the same duplex mode.	No. Both edge devices must operate in the same duplex mode.	Yes
<b>Used with Layer 0/1 devices (e.g. repeaters converters and WDM transponders)</b>	Yes	No	Yes
<b>Used with Layer 2 devices, e.g. switches and routers</b>	No	Yes	Yes
<b>Packet Size (bytes)</b>	9600 +	9600 +	1600

**Outline Drawing for SFP-GC-R and SFP-GA-R**



**Outline Drawing for SFP-SW10/100-R**

**Ordering Information**

Model	Function	Voltage (V)	Protocol	Max. Data Rate (Mbps)	Connectors	Distance Range (m)
<b>SFP-GC-R</b>	SFP supporting 1000Base-T for Layer 0/1 devices. RoHS compliant.	3.3	Gigabit Ethernet	1250	RJ-45	1-100
<b>SFP-GA-R</b>	SFP supporting 1000Base-T for Layer 2 and higher devices. RoHS compliant.	3.3	Gigabit Ethernet	1250	RJ-45	1-100
<b>SFP-SW10/100-R</b>	SFP supporting 10/100Base-TX to 100-FX with autonegotiation and speed/duplex matching. RoHS Compliant.	3.3	Ethernet, Fast Ethernet	125	RJ-45	1-100

MRV has more than 50 offices throughout the world. Addresses, phone numbers, and fax numbers are listed at [www.mrv.com](http://www.mrv.com). Please e-mail us at [sales@mrv.com](mailto:sales@mrv.com) or call us for assistance.

**MRV (West Coast USA)**  
 20415 Nordhoff St.  
 Chatsworth, CA 91311  
 800-338-5316  
 818-773-0900

**MRV (East Coast USA)**  
 295 Foster St.  
 Littleton, MA 01460  
 800-338-5316  
 978-952-4700

**MRV (International)**  
 Business Park Moerfelden  
 Waldeckerstrasse 13  
 64546 Moerfelden-Walldorf  
 Germany  
 Tel. (49) 6105/2070  
 Fax. (49) 6105/207-100

All statements, technical information and recommendations related to the products herein are based upon information believed to be reliable or accurate. However, the accuracy or completeness thereof is not guaranteed, and no responsibility is assumed for any inaccuracies. Please contact MRV Communications for more information. MRV Communications and the MRV Communications logo are trademarks of MRV Communications, Inc. Other trademarks are the property of their respective holders.