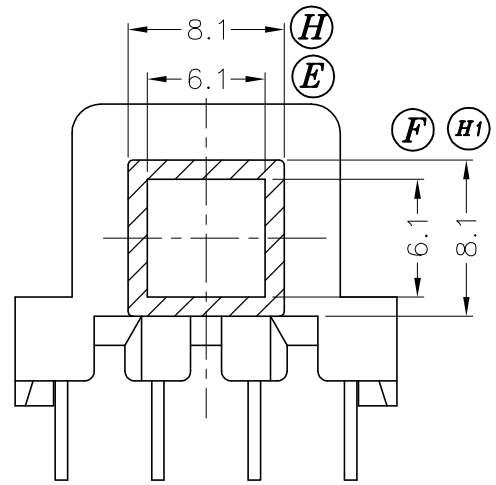
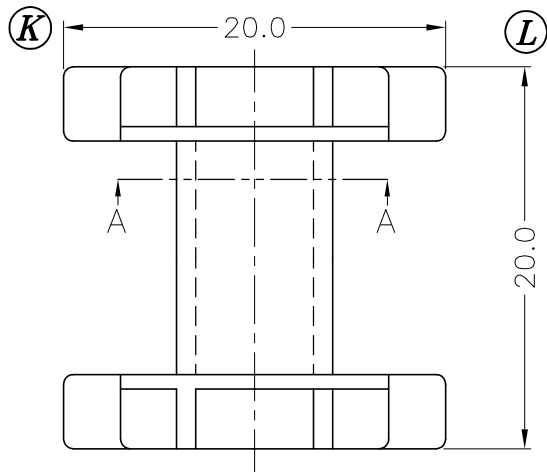


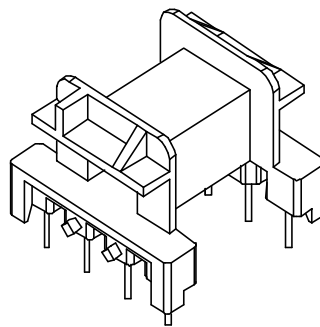
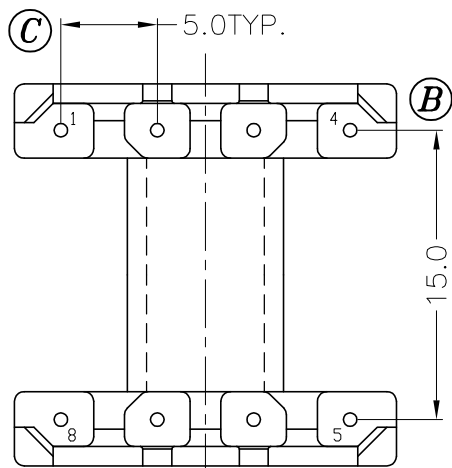
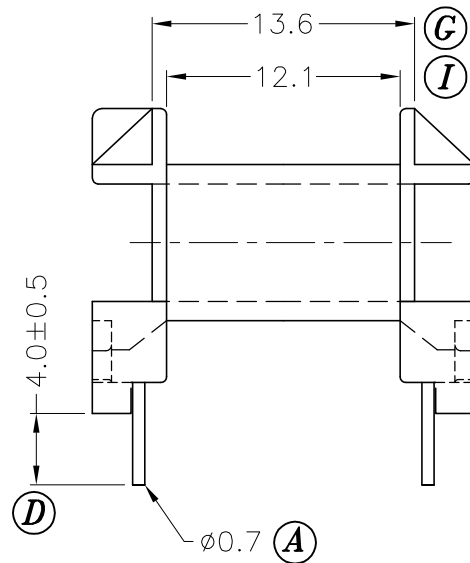
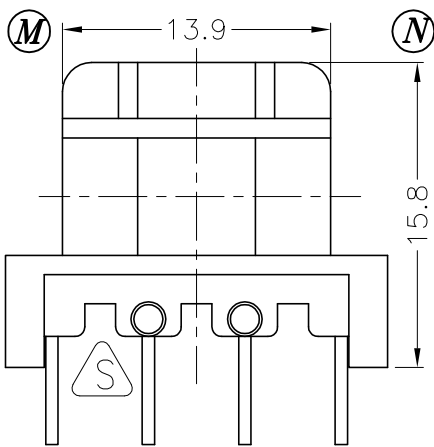
# FERYSTER Inductive Components

ul. Traugutta 4, 68-120 Iłowa Poland

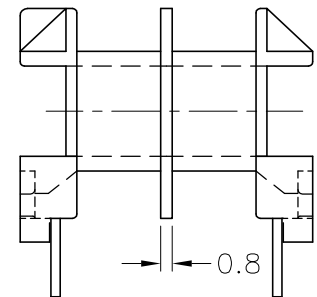
http://www.feryster.com.pl e-mail: info@feryster.com.pl



SEC.A-A



DRAWING NO:	MATERIAL:	ORIGIN:
P-2012-1	PHENOLIC T375J	DG



<b>DOSTAWCA:</b>	TOLERANCES		ANGLE:	TITLE: <b>EF20/6-K-H-8P-DS</b>		
	0<L≤4 ±0.1	pin pitch ±0.2	±1°	BOBBIN MATERIAL:	PHENOLIC T375J	UL REC. UL 94V-0
FERYSTER Inductive Components Tel: +48 68 360 00 76 fax: +48 68 360 00 70	4<L≤16 ±0.2	±0.2	UNIT:	PIN MATERIAL:	CP WIRE	PIN TENSION LOAD: 1.5 KG MIN
	16<L≤63 ±0.3		ORIGIN:	DG	DATE: APR.04 '2003	DRAWING NO. P-2012