

Silicon NPN Power Transistors

2SD985 2SD986

DESCRIPTION

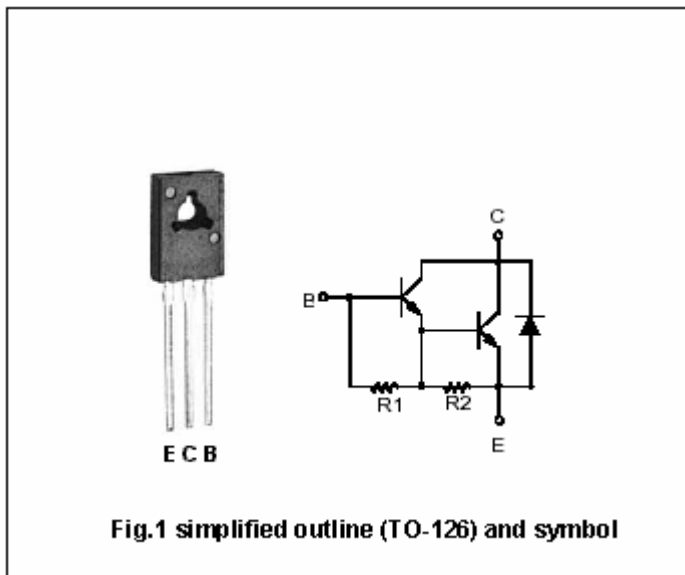
- With TO-126 package
- Complement to type 2SB794/795
- DARLINGTON
- High DC current gain
- Low collector saturation voltage

APPLICATIONS

- For low frequency power amplifier and power switching applications

PINNING

PIN	DESCRIPTION
1	Emitter
2	Collector;connected to mounting base
3	Base



Absolute maximum ratings (Ta=25°C)

SYMBOL	PARAMETER	CONDITIONS	VALUE	UNIT
V _{CBO}	Collector-base voltage	Open emitter	150	V
V _{CEO}	Collector-emitter voltage	2SD985	60	V
		2SD986	80	
V _{EBO}	Emitter -base voltage	Open collector	8	V
I _C	Collector current		±1.5	A
I _{CM}	Collector current-Peak		±3.0	A
I _B	Base current		0.15	A
P _T	Total power dissipation	T _a =25°C	1.0	W
		T _C =25°C	10	
T _J	Junction temperature		150	°C
T _{stg}	Storage temperature		-55~150	°C

Silicon NPN Power Transistors

2SD985 2SD986

CHARACTERISTICS

T_j=25°C unless otherwise specified

SYMBOL	PARAMETER	CONDITIONS	MIN	TYP.	MAX	UNIT
V _{CEsat}	Collector-emitter saturation voltage	I _C =1.0A; I _B =1.0mA			1.5	V
V _{BEsat}	Base-emitter saturation voltage	I _C =1.0A; I _B =1.0mA			2.0	V
I _{CBO}	Collector cut-off current	2SD985			10	μA
		2SD986				
I _{EBO}	Emitter cut-off current	V _{EB} =5V; I _C =0			2.0	mA
h _{FE-1}	DC current gain	I _C =0.5A; V _{CE} =2V	1000			
h _{FE-2}	DC current gain	I _C =1.0A; V _{CE} =2V	2000		30000	

Switching times

t _{on}	Turn-on time	I _C =1.0A; I _{B1} =-I _{B2} =1.0mA V _{CC} =50V; R _L =50Ω		0.5		μs
t _s	Storage time			1.0		μs
t _f	Fall time			1.0		μs

◆ h_{FE-2} Classifications

M	L	K
2000-5000	4000-10000	8000-30000

Silicon NPN Power Transistors

2SD985 2SD986

PACKAGE OUTLINE

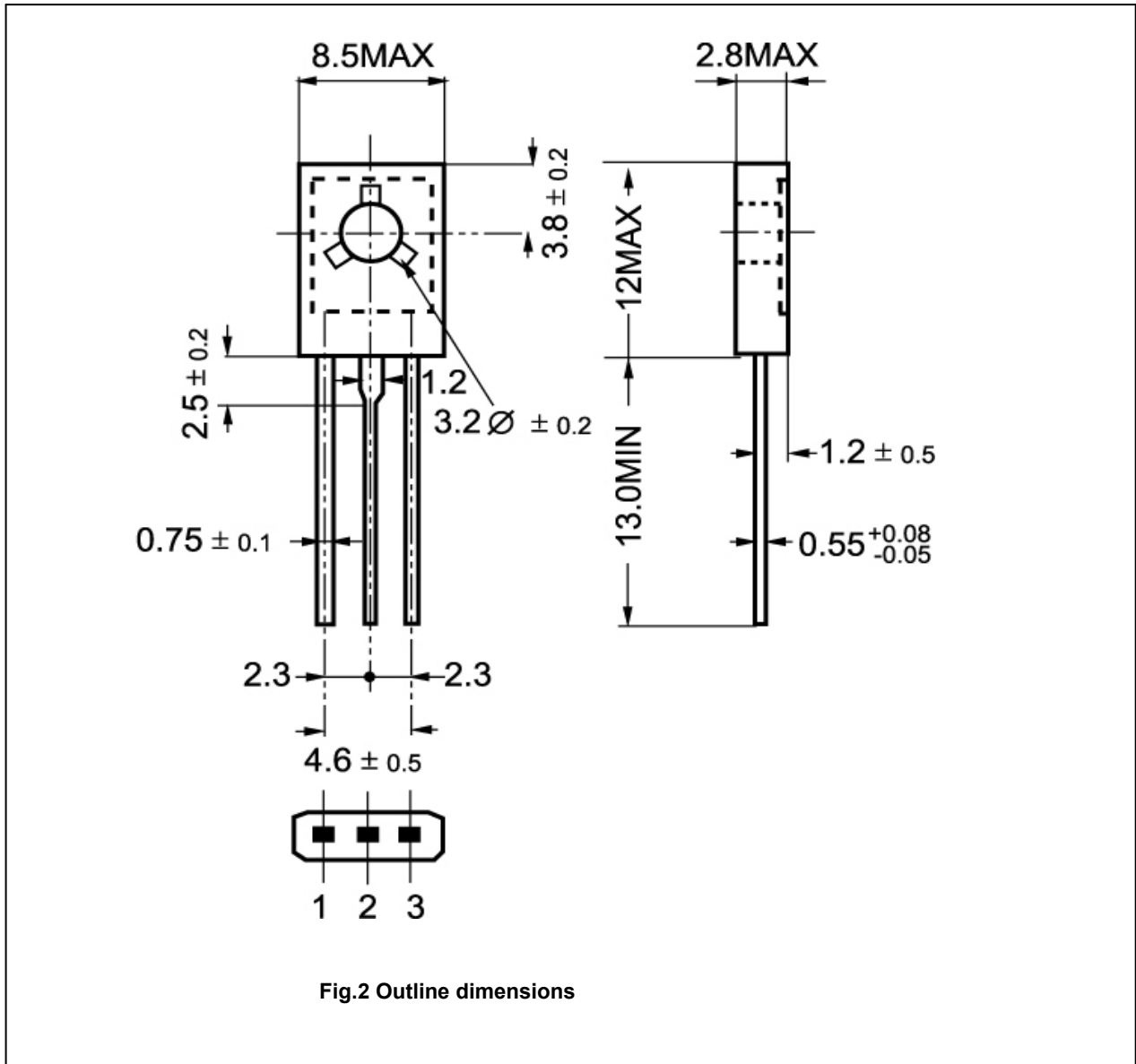


Fig.2 Outline dimensions