

Silicon PNP Power Transistors

2SA1355

DESCRIPTION

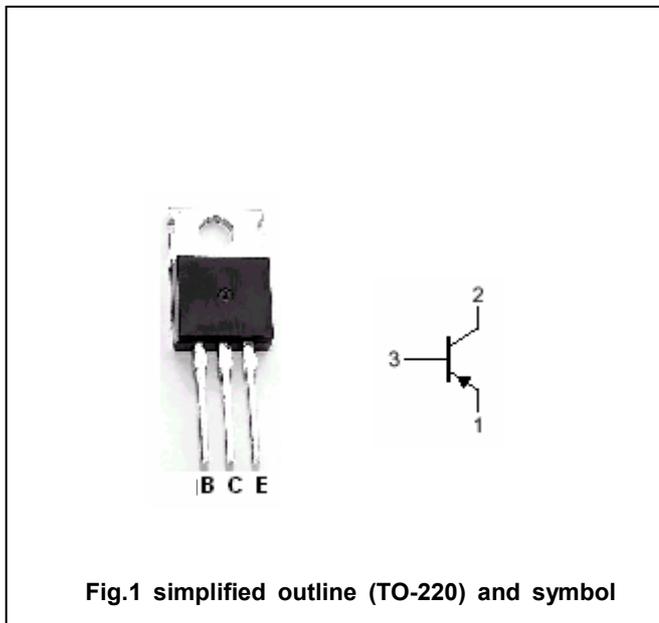
- With TO-220 package
- Low collector saturation voltage.
- Short switching time.

APPLICATIONS

- Various inductance lamp drivers for electrical equipment.
- Inverters, converters
- Power amplifier
- High-speed switching

PINNING

| PIN | DESCRIPTION |
|-----|--------------------------------------|
| 1 | Emitter |
| 2 | Collector;connected to mounting base |
| 3 | Base |



Absolute maximum ratings(Ta=25°C)

| SYMBOL | PARAMETER | CONDITIONS | VALUE | UNIT |
|------------------|-----------------------------|----------------------|---------|------|
| V _{CBO} | Collector-base voltage | Open emitter | -70 | V |
| V _{CEO} | Collector-emitter voltage | Open base | -70 | V |
| V _{EBO} | Emitter-base voltage | Open collector | -5 | V |
| I _C | Collector current | | -4 | A |
| P _C | Collector power dissipation | T _C =25°C | 30 | W |
| T _j | Junction temperature | | 150 | °C |
| T _{stg} | Storage temperature | | -55~150 | °C |

Silicon PNP Power Transistors

2SA1355

CHARACTERISTICS

T_j=25 °C unless otherwise specified

| SYMBOL | PARAMETER | CONDITIONS | MIN | TYP. | MAX | UNIT |
|----------------------|--------------------------------------|--|-----|------|------|------|
| V _{(BR)CBO} | Collector-base breakdown voltage | I _C =-1mA, I _E =0 | -70 | | | V |
| V _{(BR)CEO} | Collector-emitter breakdown voltage | I _C =-1mA, I _B =0 | -70 | | | V |
| V _{(BR)EBO} | Emitter-base breakdown voltage | I _E =-1mA, I _C =0 | -5 | | | V |
| V _{CEsat} | Collector-emitter saturation voltage | I _C =-2A; I _B =-0.2A | | | -0.5 | V |
| V _{BEsat} | Base-emitter saturation voltage | I _C =-2A; I _B =-0.2A | | | -1.2 | V |
| I _{CBO} | Collector cut-off current | V _{CB} =-40V; I _E =0 | | | -100 | μA |
| I _{EBO} | Emitter cut-off current | V _{EB} =-4V; I _C =0 | | | -100 | μA |
| h _{FE} | DC current gain | I _C =-1A; V _{CE} =-2V | 70 | | 280 | |
| f _T | Transition frequency | I _C =-1A; V _{CE} =-5V | | 40 | | MHz |

Silicon PNP Power Transistors

2SA1355

PACKAGE OUTLINE

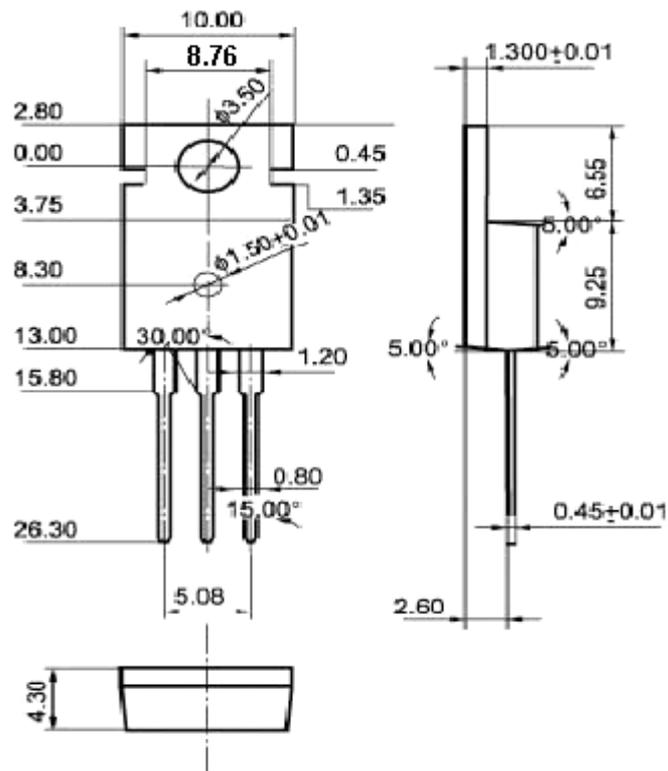


Fig.2 Outline dimensions(unindicated tolerance:±0.10 mm)