



CONNOR-WINFIELD CORPORATION

AURORA, IL. 60505
 PHONE (630) 851-4722
 FAX (630) 851-5040

HCMOS SM CLOCK WITH ENABLE/DISABLE SURFACE MOUNT 6-PIN

SPECIFICATIONS	MSD511	MSD521	MSD531	MSD541
Frequency Range	2MHz to 67MHz	2MHz to 115MHz		2MHz to 67MHz
Frequency Stability	±25ppm	±50ppm	±100ppm	±20ppm
	(Inclusive of calibration tolerance at 25°C and operating temperature range, input voltage change, aging, shock and vibration)			
Temperature Range	0°C to +70°C			
Output	Waveform	HCMOS Squarewave		
	Load	50pF Maximum		
	Voltage Voh	Vcc - .5V Minimum		
	Vol	0.40V Maximum		
	Current Ioh	-16mA		
	Iol	16mA		
	Duty Cycle	45/55 Maximum Measured at 50% of Vdd		
	Rise/Fall Time	3nS Typical		
Jitter	5pS RMS Maximum			
Input	Enable/Disable	Pin 1		
	Output Enable/Disable Time	100nS		
	Enable Vih	2.0V Minimum		
	Disable	0.5V Maximum		
	Oscillator output is enabled with no connection on pin 1			
Start Up Time	10mS Maximum			
Supply Voltage (Vdd)	5.0Vdc ±10%			
Supply Current	50mA Maximum			
Package	Hermetically sealed, leadless ceramic package			

EXAMPLE MODEL NUMBER:

MSD511 / 47.76 MHz

SURFACE MOUNT
 HCMOS SERIES

LEAD
 OPTION

CENTER FREQUENCY

Specifications subject to change without notice

BULLETIN #: HC171
 PAGE 1 OF 2

REV: 01
 DATE: 1/14/99

ISSUED BY: _____

Dimensional Tolerance: ±.02"
 ±.005"

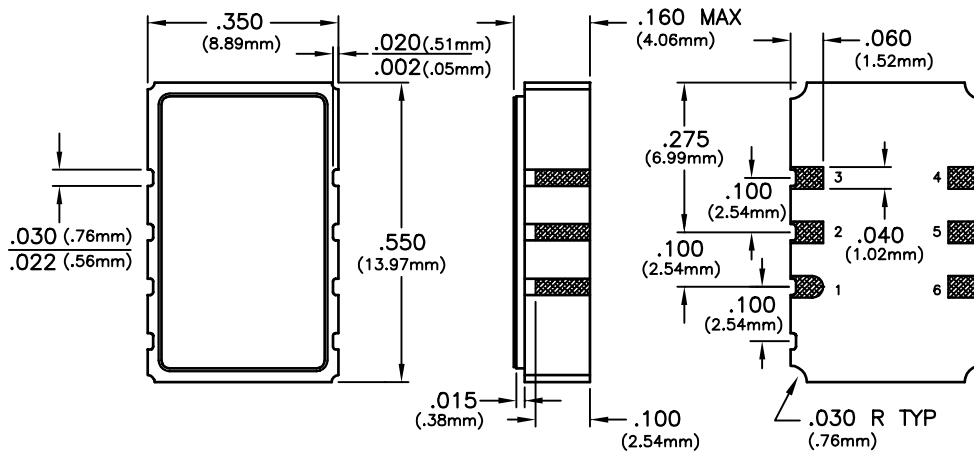


CONNOR-WINFIELD CORPORATION

AURORA, IL. 60505

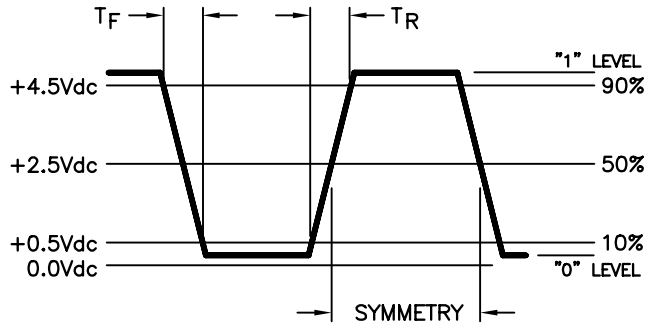
PHONE (630) 851-4722

FAX (630) 851-5040

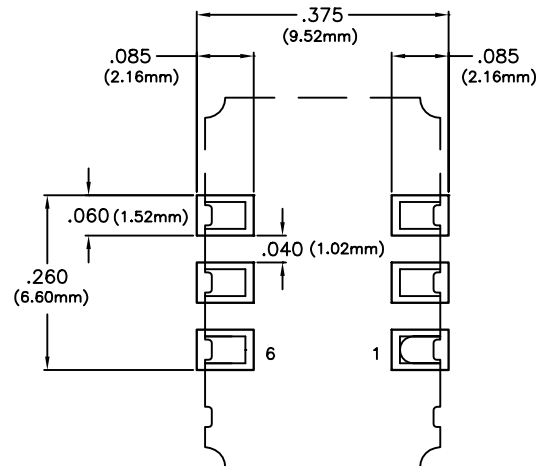


PIN	CONNECTION
1	E/D TRI-STATE
2	N/C
3	GROUND
4	OUTPUT
5	N/C
6	Vcc

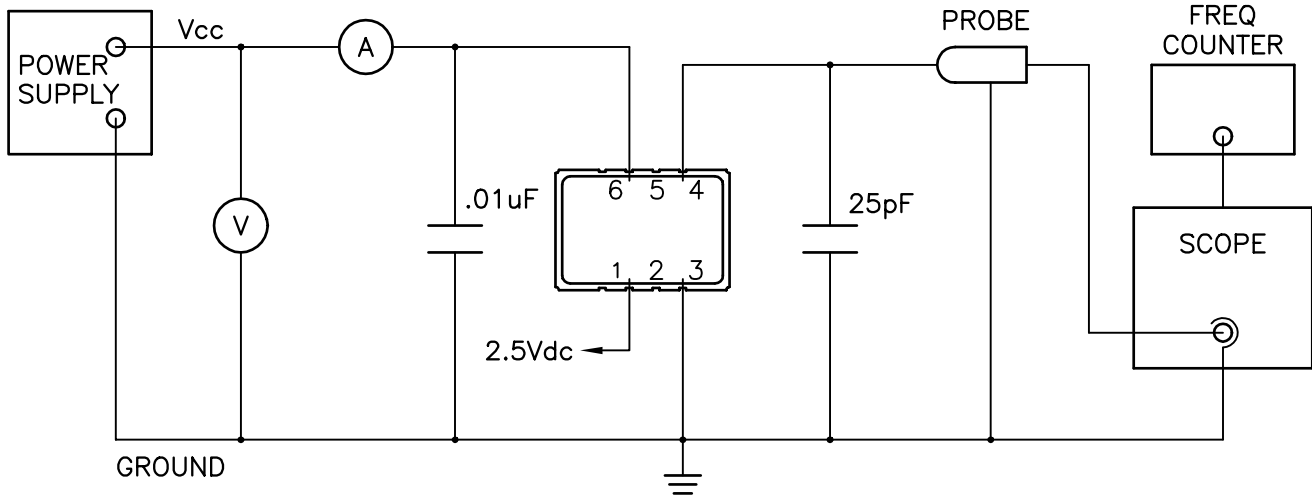
OUTPUT WAVEFORM



SUGGESTED PAD LAYOUT



TEST CIRCUIT



Specifications subject to change without notice