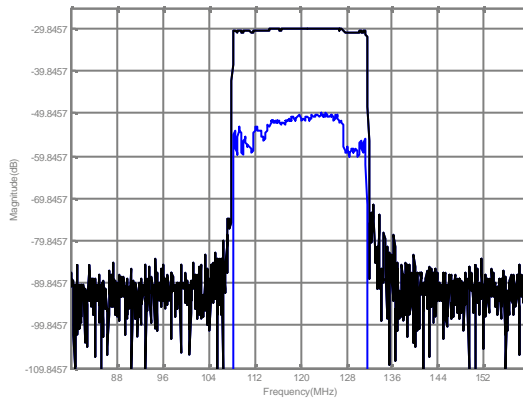




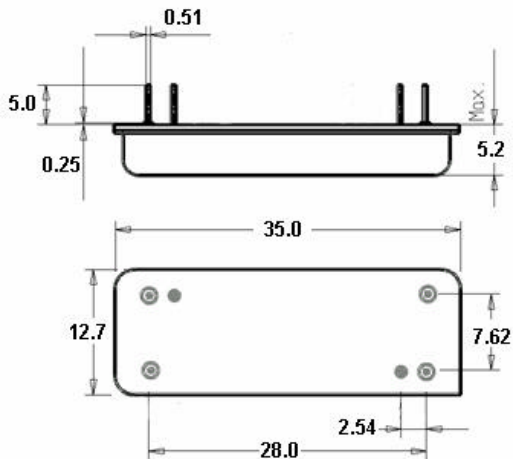
LBN12006 SAW Filter Electrical Characteristic

<i>Specifications</i>				
Parameter	Unit	Minimum	Typical	Maximum
Center Frequency	MHz	119.875	120	120.125
Insertion Loss	dB		29.8	31.5
1.5 dB Bandwidth	MHz	23.05	23.13	
18 dB Bandwidth	MHz		23.86	23.95
25 dB Bandwidth	MHz		23.99	24.15
30 dB Bandwidth	MHz		24.07	24.25
40 dB Bandwidth	MHz		24.22	25.0
Passband variation	dB		1.0	1.5
Absolute Delay	usec		2.56	2.75
Ultimate Rejection	dB	40	45	
Substrate Material		YZ LN		
Ambient Temperature	°C	25		
Package Size	DIP3512 (35.0x12.7x5.2mm ³)			

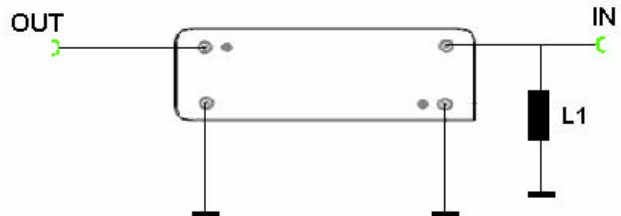
Typical Performance



Package Outline



Matching Configuration



L1=56nH

Source/Load Impedance = 50 ohm