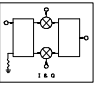
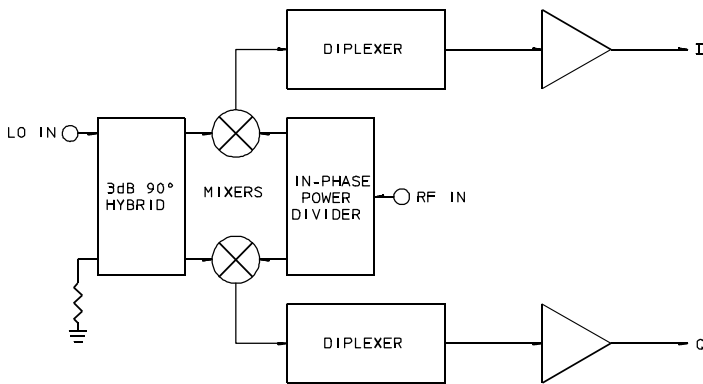


IVM-20B Series

I&Q NETWORKS

70 to 500 MHz / Integrated Video Amplifiers / Precision Phase & Amplitude Bal. / SMA Connectors



PRINCIPAL SPECIFICATIONS

Model Number	LO Frequency, f_0	Bandwidth, RF Input	Amplitude Balance,	Phase Balance at f_0 at band limits	Isolation L/R to Video	VSWR Max.
IVM-20B-***B	70 to 500 MHz	20% f_0 min.	0.2 dB max.	$\pm 2^\circ$ max $\pm 4^\circ$ nom.	60 dB min.	1.5:1

For complete Model Number replace *** with desired Center Frequency, f_0 in MHz.

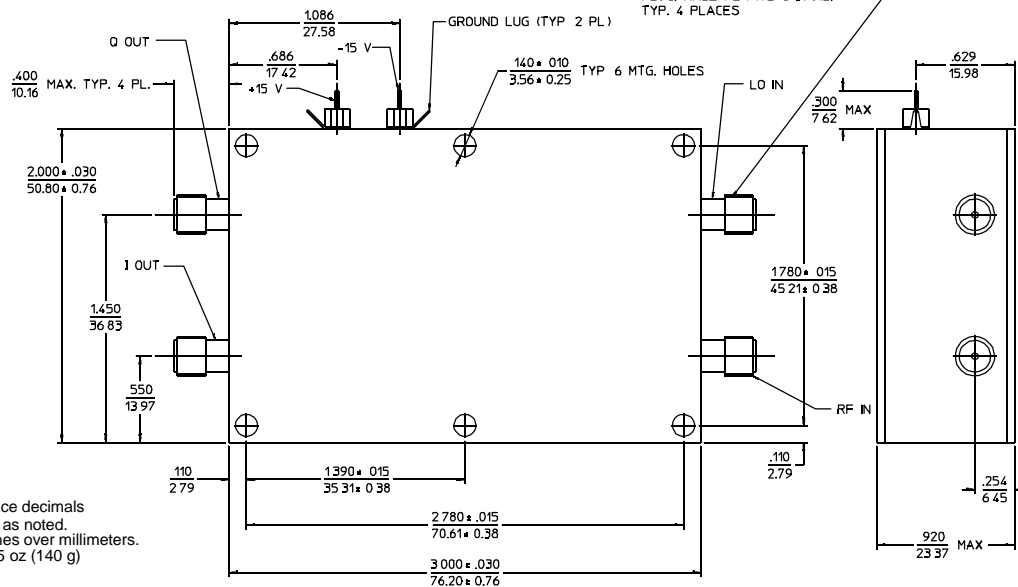
GENERAL SPECIFICATIONS

LO Power into 50 Ω nom:	+10 to +13 dBm nom.
Dynamic Range:	60 dB nom.
RF Input Level into 50 Ω nom:	0 dBm nom.
Video Output Bandwidth:	DC to 10% f_0 min.
Video Output, @ 0 dBm RF:	$\pm 1V$ peak into 50 Ω
Input Third Order Intercept, IP ₃ :	+15 dBm min.
DC Power:	$\pm 15 V @ 50 mA$ nom.
Weight, nom:	5 oz (140 g)
Operating Temperature:	-55° to +85°C

General Notes:

- Units in the IVM-20B series of I&Q networks are composed of a 90° quadrature hybrid, an inphase power combiner and two mixers feeding matched diplexers and wideband video amplifiers.
- Their function is to provide stable demodulated outputs from a low impedance at a level suitable for processing.
- Similar Quadrature Demodulators are available with 30% and octave bandwidths and at frequencies up to 4 GHz in a different package.
- Merrimac I&Q networks comply with the relevant sections of MIL-M-28837 and may be supplied screened for compliance with additional specifications for military and space applications requiring the highest reliability.

B Package Outline



- NOTES:
- Tolerance on 3 place decimals $\pm 0.20(.51)$ except as noted.
 - Dimensions in inches over millimeters.
 - Weight, nominal: 5 oz (140 g)

05Aug02