

Silicon NPN Power Transistors

2SC4531

DESCRIPTION

- With TO-3P(H)IS package
- High voltage,high speed
- Low saturation voltage
- Bult-in damper diode

APPLICATIONS

- Horizontal deflection output applications

PINNING

PIN	DESCRIPTION
1	Base
2	Collector
3	Emitter

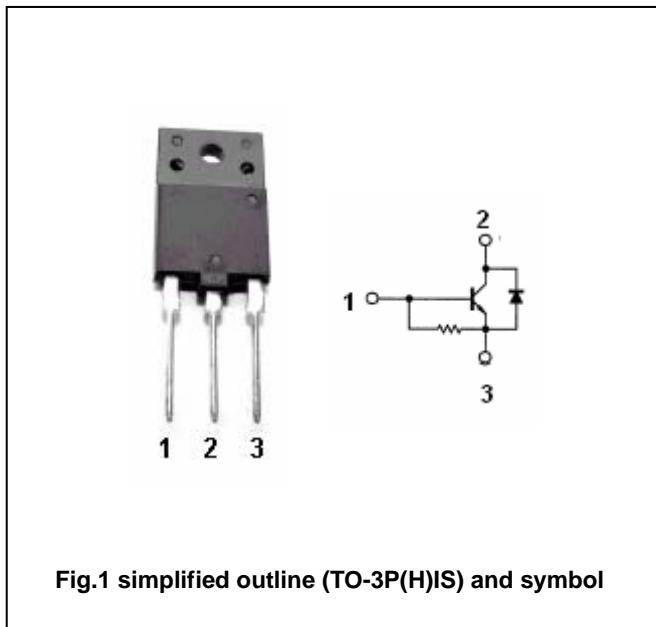


Fig.1 simplified outline (TO-3P(H)IS) and symbol

Absolute maximum ratings(Ta=25 )

SYMBOL	PARAMETER	CONDITIONS	VALUE	UNIT
$V_{CBO}$	Collector-base voltage	Open emitter	1500	V
$V_{CEO}$	Collector-emitter voltage	Open base	600	V
$V_{EBO}$	Emitter-base voltage	Open collector	5	V
$I_C$	Collector current		10	A
$I_{CM}$	Collector current-Peak		20	A
$I_B$	Base current		5	A
$P_C$	Total power dissipation	$T_C=25$	50	W
$T_j$	Junction temperature		150	
$T_{stg}$	Storage temperature		-55~150	

## Silicon NPN Power Transistors

## 2SC4531

## CHARACTERISTICS

T<sub>j</sub>=25 unless otherwise specified

SYMBOL	PARAMETER	CONDITIONS	MIN	TYP.	MAX	UNIT
V <sub>(BR)EBO</sub>	Emitter-base breakdown voltage	I <sub>E</sub> =200mA ; I <sub>C</sub> =0	5			V
V <sub>CEsat</sub>	Collector-emitter saturation voltage	I <sub>C</sub> =7A; I <sub>B</sub> =1.7A			5	V
V <sub>BEsat</sub>	Base-emitter saturation voltage	I <sub>C</sub> =7A; I <sub>B</sub> =1.7A			1.5	V
I <sub>CBO</sub>	Collector cut-off current	V <sub>CB</sub> =500V; I <sub>E</sub> =0			10	μA
I <sub>EBO</sub>	Emitter cut-off current	V <sub>EB</sub> =5V; I <sub>C</sub> =0	66	100	200	mA
h <sub>FE</sub>	DC current gain	I <sub>C</sub> =1A ; V <sub>CE</sub> =5V	8			
C <sub>ob</sub>	Collector output capacitance	I <sub>E</sub> =0 ; V <sub>CB</sub> =10V, f=1MHz		210		pF
V <sub>F</sub>	Diode forward voltage	I <sub>F</sub> =7A		1.5	1.8	V
f <sub>T</sub>	Transition frequency	I <sub>C</sub> =0.1A ; V <sub>CE</sub> =10V	1	3		MHz

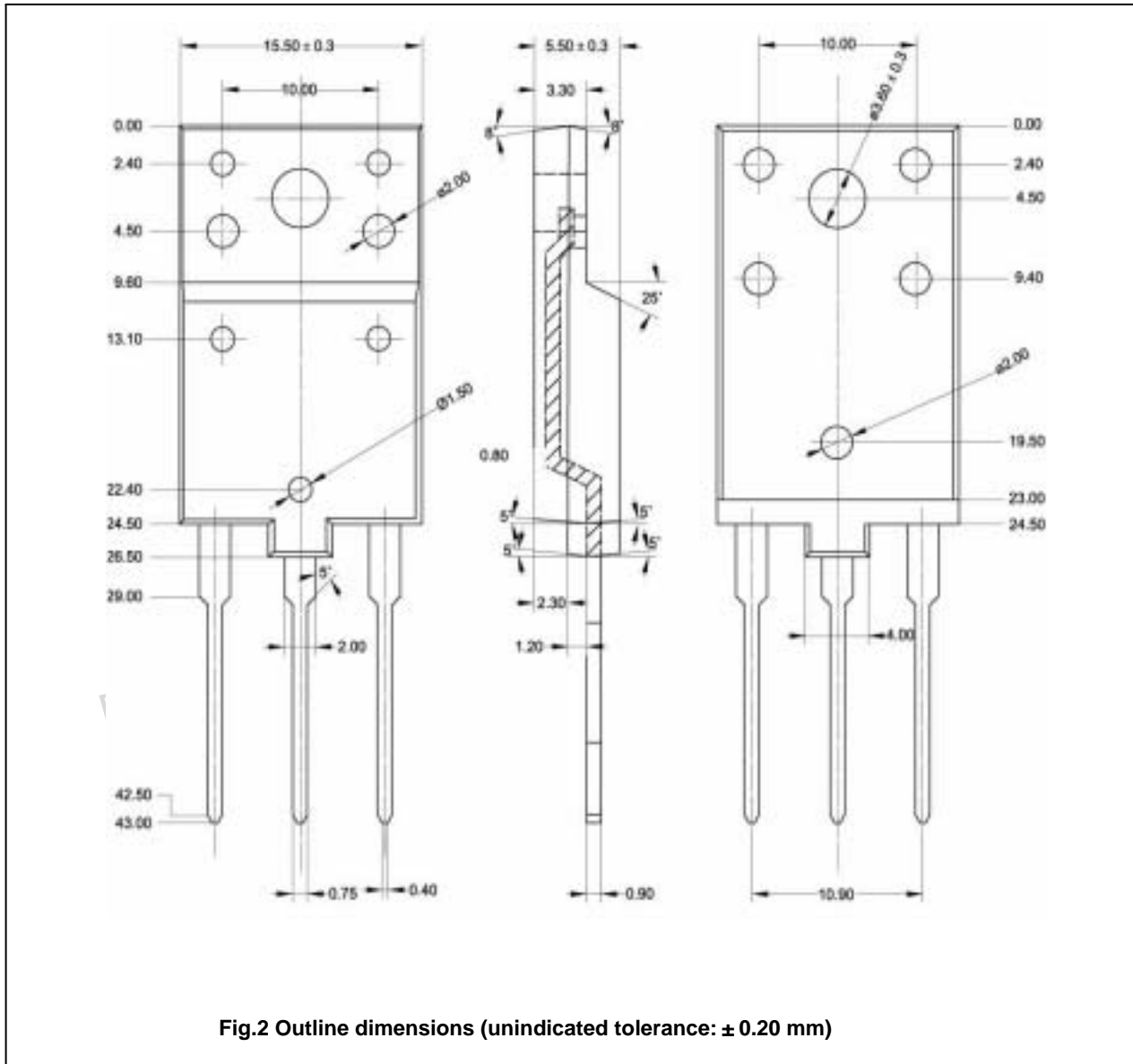
Switching times resistive load

t <sub>s</sub>	Storage time	I <sub>CP</sub> =7A; I <sub>B1</sub> =1.4A I <sub>B2</sub> =-2.8A; R <sub>L</sub> =28.5		1.8	2.5	μs
t <sub>f</sub>	Fall time			0.1	0.2	μs

Silicon NPN Power Transistors

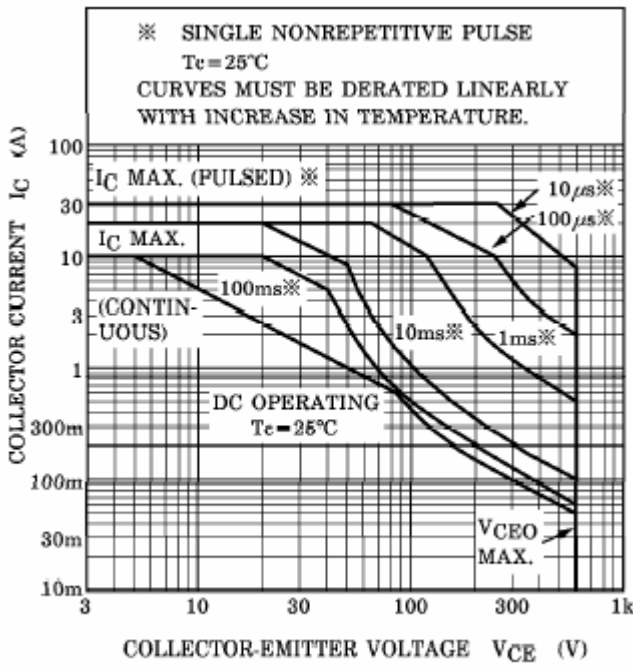
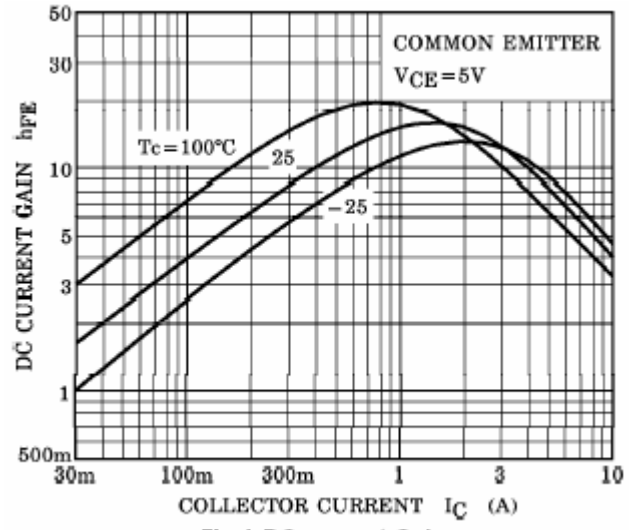
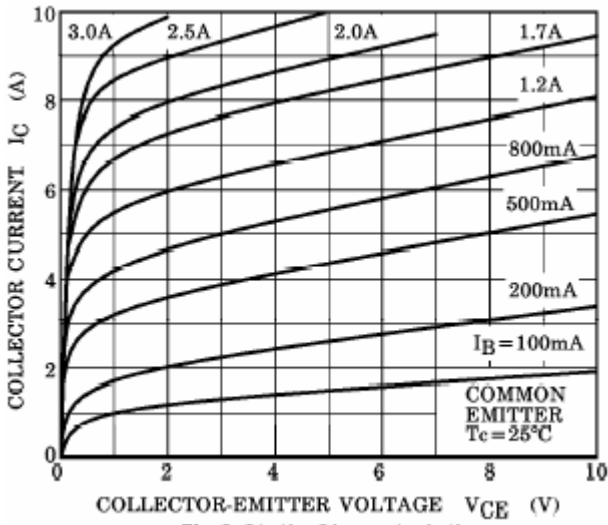
2SC4531

PACKAGE OUTLINE



Silicon NPN Power Transistors

2SC4531



EMICONDUTOR