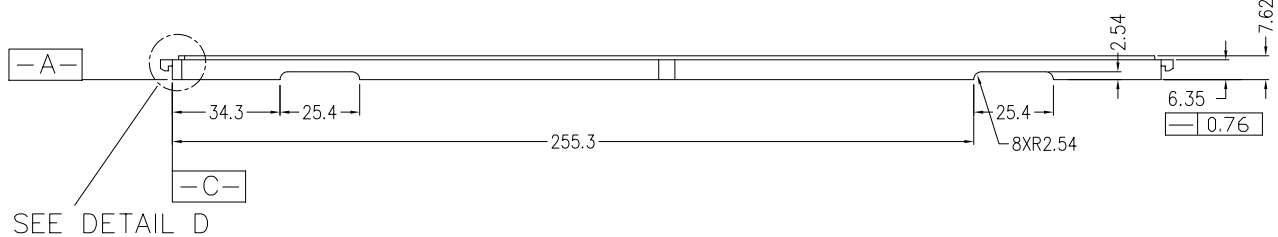


NOTES :

1. MATERIAL - PP6.
2. ALL DIMENSIONS ARE IN MILLIMETERS.
3. TOLERANCES - X.X=±0.25
- X.XX=±0.13
- DRAFT ANGLE FOR REFERENCE UNLESS OTHERWISE SPECIFIED.
4. ESD - SURFACE RESISTIVITY - 10^5 TO 10^{11} OHMS/SQ.
5. FOR PACKAGE - BG10X10
6. PART NO. : NH BG1010 1.5 0823 6 REV.C (PLEASE INDICATE ON PURCHASE ORDER).
7. DATECODE AT TRAY BOTTOM SIDE.



0		RELEASED FOR PRODUCTION	12 JUN 02
REV.NO.	ECN #	DESCRIPTION	DATE

THIS DOCUMENT CONTAINS INFORMATION PROPRIETARY TO PEAK PLASTIC & METAL PRODUCTS INTERNATIONAL LIMITED. REPRODUCTION, DISCLOSURE OR USE OF THIS DOCUMENT IS EXPRESSLY PROHIBITED EXCEPT IF OTHERWISE AGREED UPON IN WRITING.

DRAWN BY :	FORD	PAGE 1 OF 2
CHECKED BY :	WILDER	DATE : 12 JUN 02
APPROVED BY :	JONES	DATE : 12 JUN 02
APPROVED BY :	DAVY	DATE : 12 JUN 02
DO NOT SCALE DRAWING		CODE : CSA08385

PEAK PEAK PLASTIC & METAL PRODUCTS INT'L LTD.

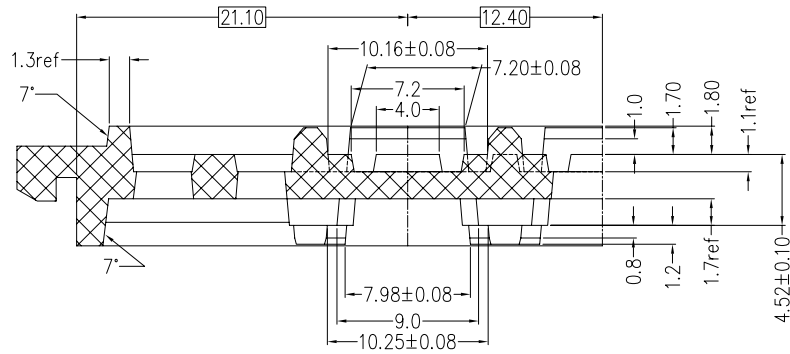
CUSTOMER : **PEAK**

TITLE : NH BG1010 1.5 0823 6 REV.C

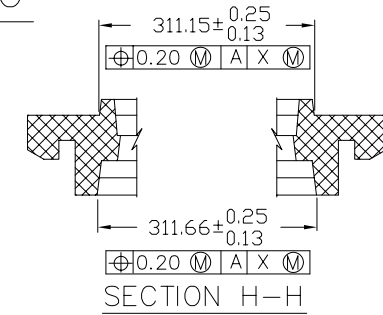
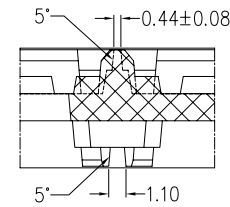
DWG NO.: NH BG1010 1.5 0823 6 REV.C

REV. 0

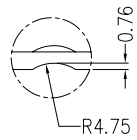
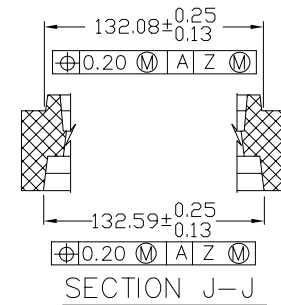
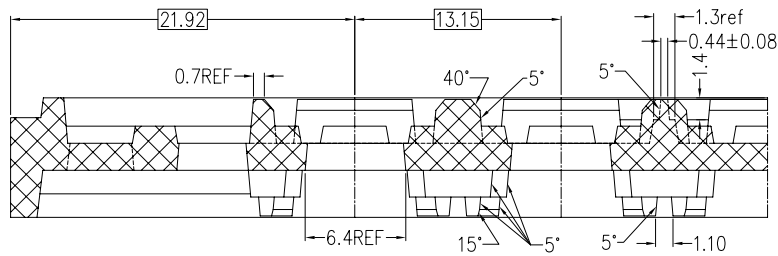
SECTION A-A



SECTION C-C

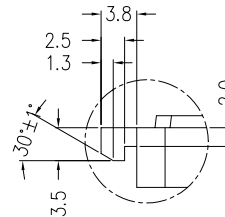


SECTION B-B



NOTE: SCALLOP IS CENTERED ON SIDE OF TRAY

DETAIL C (BOTTOM VIEW)



DETAIL D



PEAK PLASTIC & METAL PRODUCTS INT'L LTD.

CUSTOMER : PEAK

TITLE : NH BG1010 1.5 0823 6 REV.C

DWG NO.: NH BG1010 1.5 0823 6 REV.C

REV. 0

THIS DOCUMENT CONTAINS INFORMATION PROPRIETARY TO PEAK PLASTIC & METAL PRODUCTS INTERNATIONAL LIMITED. REPRODUCTION, DISCLOSURE OR USE OF THIS DOCUMENT IS EXPRESSLY PROHIBITED EXCEPT IF OTHERWISE AGREED UPON IN WRITING.

DRAWN BY : FORD
 CHECKED BY : WILDER
 APPROVED BY : JONES
 APPROVED BY : DAVY
 DO NOT SCALE DRAWING

PAGE 2 OF 2
 DATE : 12 JUN 02
 DATE : 12 JUN 02
 DATE : 12 JUN 02
 CODE : CSA08385

REV.NO.	ECN #	DESCRIPTION	DATE
0		RELEASED FOR PRODUCTION	12 JUN 02